

AXOR®



STAR LINE 





STAR LINE

Quality, functionality and stylish design are what the «Star Line series» of window and door handles are all about. High quality of products, what ensures a long service life of the product, and safety in operation. All handles are made of aluminum and high-strength plastic. AXOR's window handles are painted at own painting line. Our goal is to control every stage of production in order to be sure on 100% of finished product's quality.

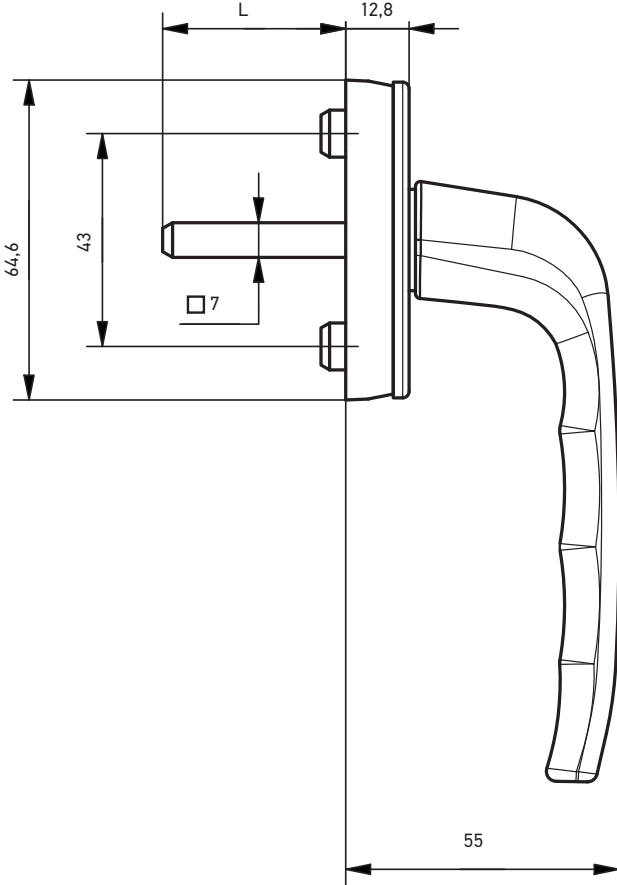
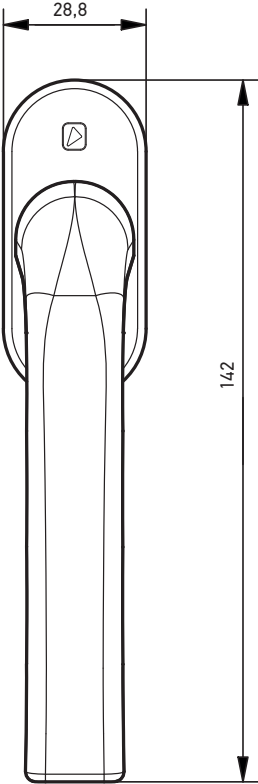
«Star Line» window and door handles are truly stellar quality and appearance!

Window handle «Carina»

AXOR[®]

The Axor Carina handle is a stylish and comfortable window handle with soft, flowing lines, designed for comfortable everyday use. Made of high-quality materials, it ensures reliable sash fixation and durability. Suitable for modern PVC constructions and available in popular colors.







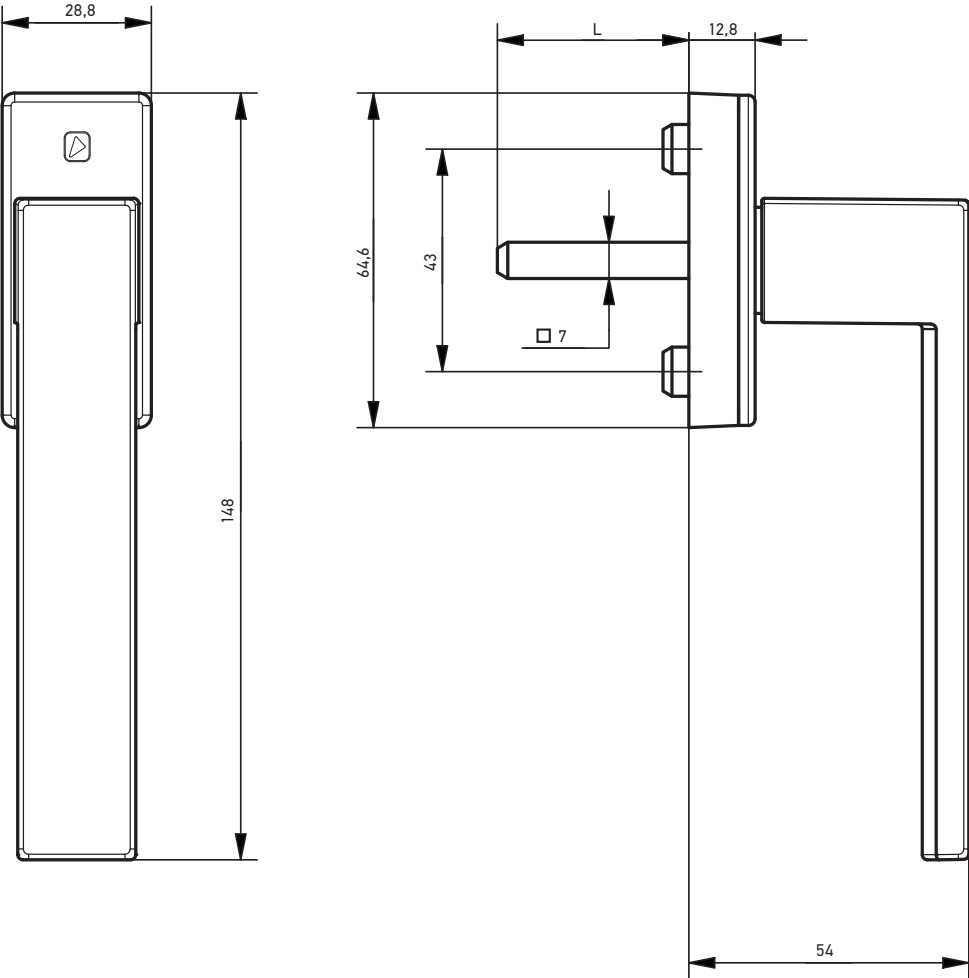
Part No.	L, mm	Number of fixation positions	Color
A7204-37-N01M	37	8	White RAL9016 matte
A7204-43-N01M	43	8	
A7204-37-N02M	37	8	Brown RAL8022 matte
A7204-43-N02M	43	8	
A7204-37-N03	37	8	Silver
A7204-43-N03	43	8	
A7204-37-N07M	37	8	Black RAL9005 matte
A7204-43-N07M	43	8	
A7204-37-N09M	37	8	Anthracite RAL7016 matte
A7204-43-N09M	43	8	
A7204-37-N15	37	8	Gold
A7204-43-N15	43	8	
A7204-37-N16	37	8	Bronze matte
A7204-43-N16	43	8	

Window handle «Astrum»

AXOR[®]

The Axor Astrum handle has a strict, rectangular design that fits well with modern interiors. Made of high-quality materials, it ensures reliable fixation of the sash and durability. Suitable for modern PVC constructions and presented in popular colors.







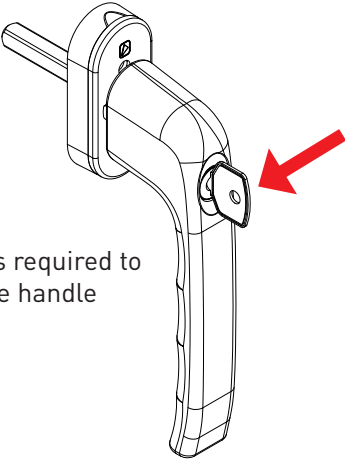
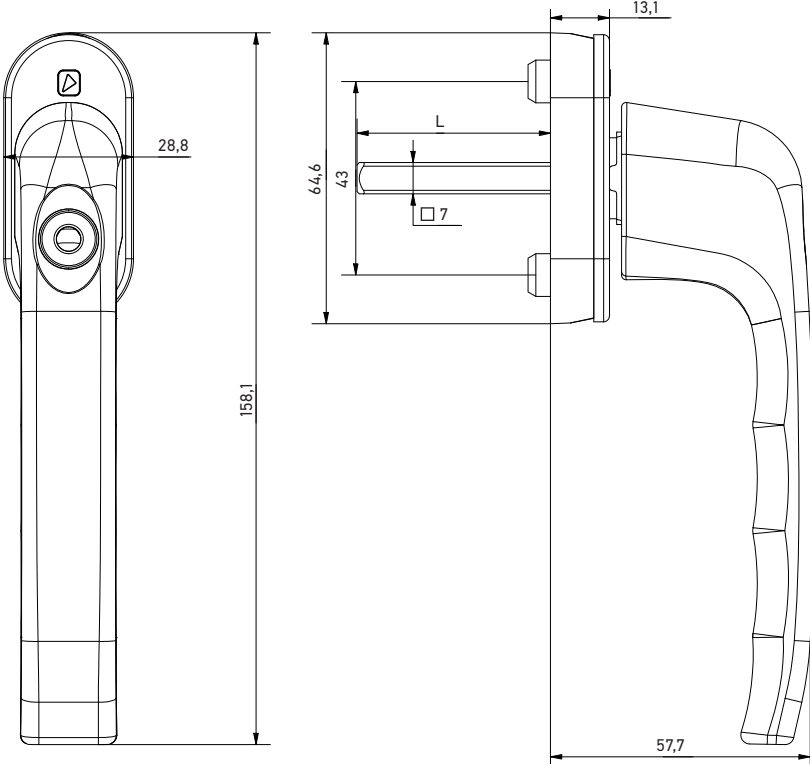
Part No.	L, mm	Number of fixation positions	Color
A7208-37-N01M	37	8	White RAL9016 matte
A7208-43-N01M	43	8	
A7208-37-N02M	37	8	Brown RAL8022 matte
A7208-43-N02M	43	8	
A7208-37-N03	37	8	Silver
A7208-43-N03	43	8	
A7208-37-N07M	37	8	Black RAL9005 matte
A7208-43-N07M	43	8	
A7208-37-N09M	37	8	Anthracite RAL7016 matte
A7208-43-N09M	43	8	
A7208-37-N15	37	8	Gold
A7208-43-N15	43	8	
A7208-37-N16	37	8	Bronze matte
A7208-43-N16	43	8	

Window handle «Carina» with key

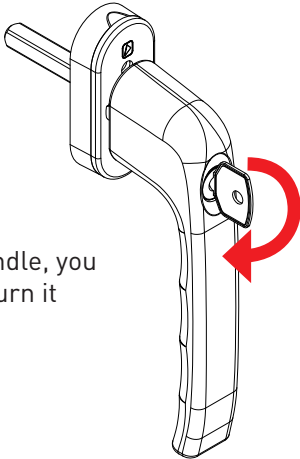


The locking mechanism prevents rotation and forceful pulling of the locked handle from the outside.





A key is required to lock the handle



To unlock the handle, you need a key, and turn it clockwise 180°

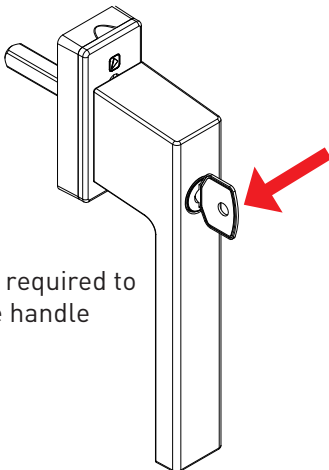
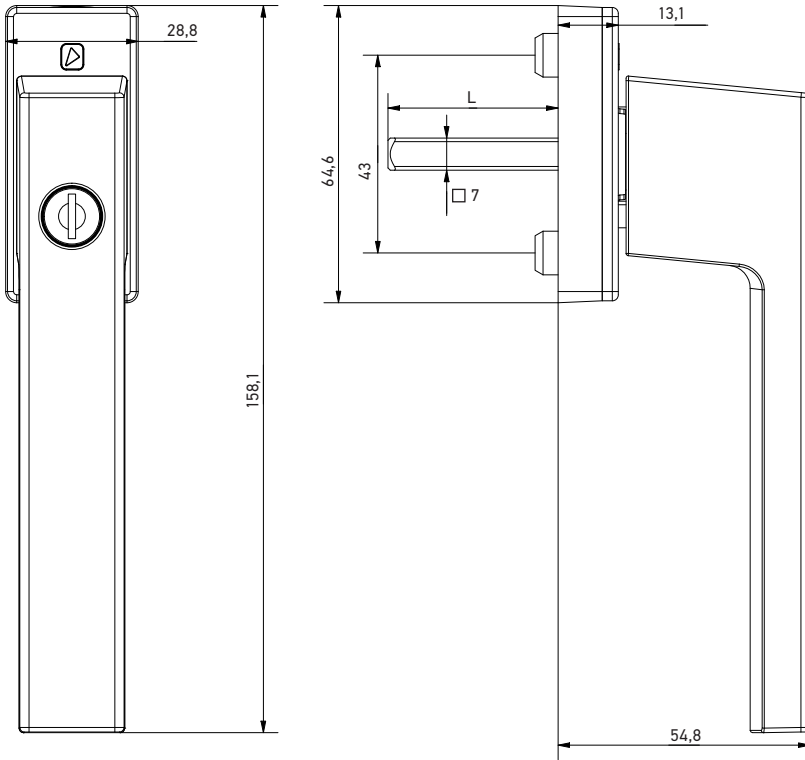


Part No.	L, mm	Number of fixation positions	Color
A7243-37-N01M	37	8	White RAL9016 matte
A7243-43-N01M	43	8	
A7243-37-N02M	37	8	Brown RAL8022 matte
A7243-43-N02M	43	8	
A7243-37-N03	37	8	Silver
A7243-43-N03	43	8	
A7243-37-N07M	37	8	Black RAL9005 matte
A7243-43-N07M	43	8	
A7243-37-N09M	37	8	Anthracite RAL7016 matte
A7243-43-N09M	43	8	
A7243-37-N15	37	8	Gold
A7243-43-N15	43	8	
A7243-37-N16	37	8	Bronze matte
A7243-43-N16	43	8	

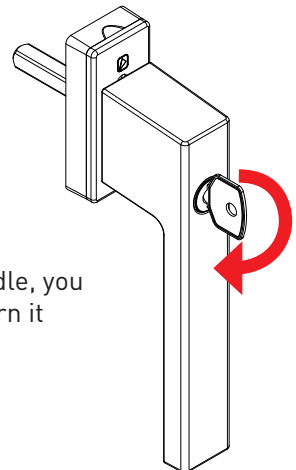
Window handle «Astrum» with key

The locking mechanism prevents rotation and forceful pulling of the locked handle from the outside.

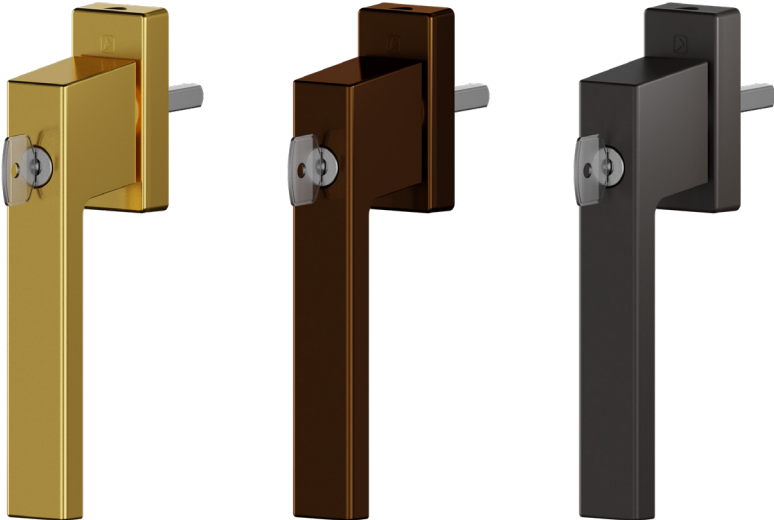




A key is required to lock the handle



To unlock the handle, you need a key, and turn it clockwise 180°



Part No.	L, mm	Number of fixation positions	Color
A7244-37-N01M	37	8	White RAL9016 matte
A7244-43-N01M	43	8	
A7244-37-N02M	37	8	Brown RAL8022 matte
A7244-43-N02M	43	8	
A7244-37-N03	37	8	Silver
A7244-43-N03	43	8	
A7244-37-N07M	37	8	Black RAL9005 matte
A7244-43-N07M	43	8	
A7244-37-N09M	37	8	Anthracite RAL7016 matte
A7244-43-N09M	43	8	
A7244-37-N15	37	8	Gold
A7244-43-N15	43	8	
A7244-37-N16	37	8	Bronze matte
A7244-43-N16	43	8	

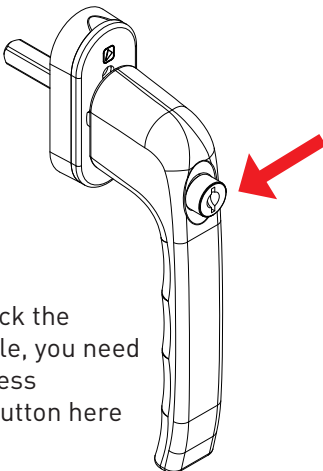
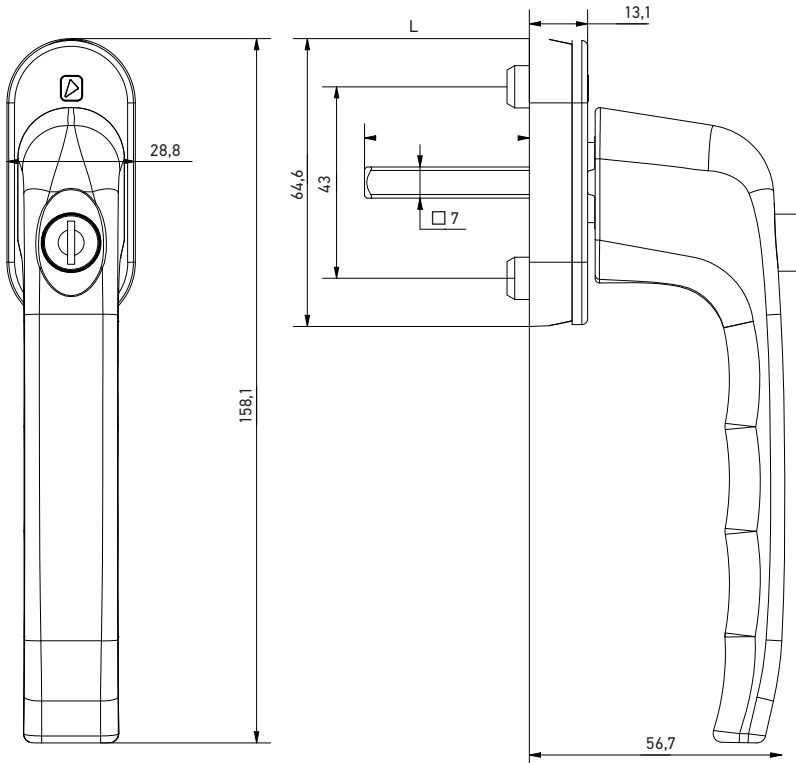
Window handle «Carina» with key and button

The key cylinder locks the window handle in its normal position - if it is not locked, the button function makes it difficult to move the hardware from the outside. The handle can only be turned from the inside if the key cylinder is held unlocked. This prevents the window from being opened accidentally or by a child without supervision.

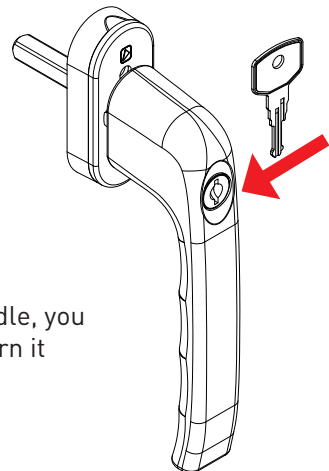


Window handle «Carina» with key and button

STAR LINE 



To lock the handle, you need to press the button here



To unlock the handle, you need a key, and turn it clockwise 180°

Window handle «Carina» with key and button



Window handle «Carina» with key and button

Part No.	L, mm	Number of fixation positions	Color
A7245-37-N01M	37	8	White RAL9016 matte
A7245-43-N01M	43	8	
A7245-37-N02M	37	8	Brown RAL8022 matte
A7245-43-N02M	43	8	
A7245-37-N03	37	8	Silver
A7245-43-N03	43	8	
A7245-37-N15	37	8	Gold
A7245-43-N15	43	8	
A7245-37-N16	37	8	Bronze matte
A7245-43-N16	43	8	
A7245-37-N07M	37	8	Black RAL9005 matte
A7245-43-N07M	43	8	
A7245-37-N09M	37	8	Anthracite RAL7016 matte
A7245-43-N09M	43	8	

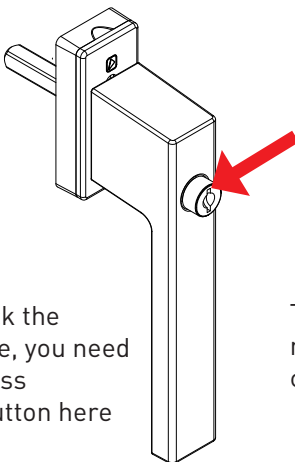
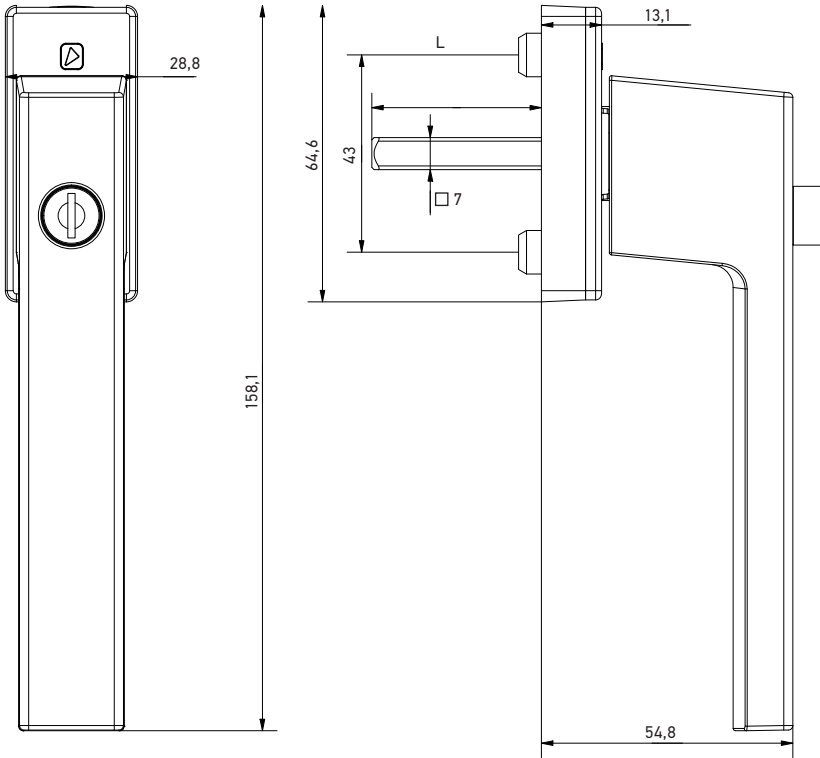
Window handle «Astrum» with key and button

The key cylinder locks the window handle in its normal position - if it is not locked, the button function makes it difficult to move the hardware from the outside. The handle can only be turned from the inside if the key cylinder is held unlocked. This prevents the window from being opened accidentally or by a child without supervision.

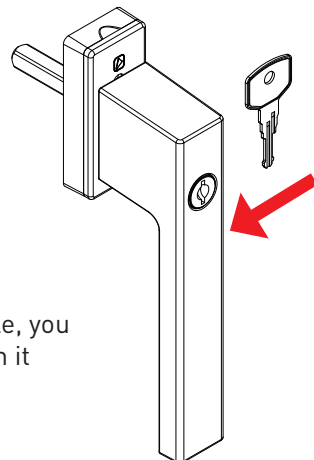


Window handle «Astrum» with key and button

STAR LINE 



To lock the handle, you need to press the button here



To unlock the handle, you need a key, and turn it clockwise 180°

Window handle «Astrum» with key and button



Window handle «Astrum» with key and button

STAR LINE 

Part No.	L, mm	Number of fixation positions	Color
A7246-37-N01M	37	8	White RAL9016 matte
A7246-43-N01M	43	8	
A7246-37-N02M	37	8	Brown RAL8022 matte
A7246-43-N02M	43	8	
A7246-37-N03	37	8	Silver
A7246-43-N03	43	8	
A7246-37-N07M	37	8	Black RAL9005 matte
A7246-43-N07M	43	8	
A7246-37-N09M	37	8	Anthracite RAL7016 matte
A7246-43-N09M	43	8	
A7246-37-N15	37	8	Gold
A7246-43-N15	43	8	
A7246-37-N16	37	8	Bronze matte
A7246-43-N16	43	8	

AXOR[®]



+38 067 55-42-777



infoaxor@axorindustry.com



instagram.com/axor_live



facebook.com/AxorIndustry