

## Astrum Sentinel window handles

The security of your windows is now under control!

The new **ASTRUM SENTINEL** handles are a modern solution that provides:

### Increased security level

The integrated locking mechanism makes it difficult to move the hardware from the outside.

### Modern design

Minimalistic design and a wide colour palette: white, brown, black, anthracite, as well as silver, bronze and gold.

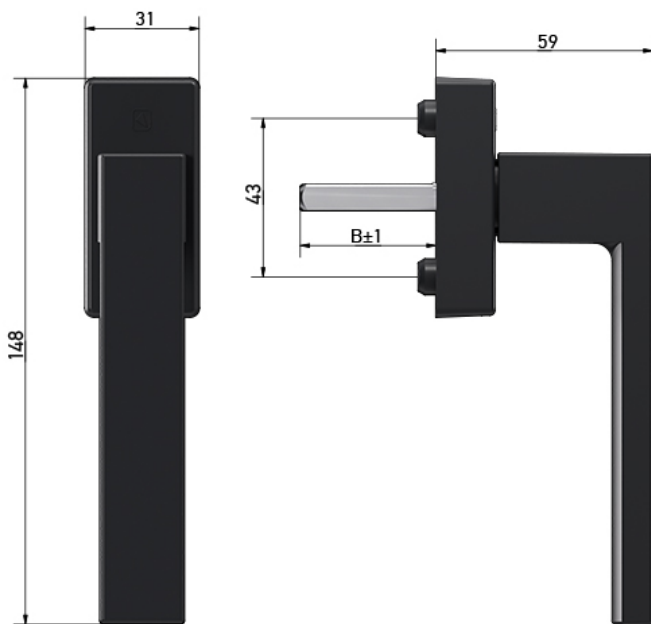
### Quality by AXOR

Window handles are made of quality materials at our factory in compliance with high production standards.

The new **ASTRUM SENTINEL** handles are the perfect complement to the Star Line, expanding the range of modern and safe solutions for your customers.



**AXOR is your reliable partner in creating high-quality and aesthetic solutions for windows!**



### Main characteristics:

- Shape: rectangular
- Material: aluminum and high strength plastic
- Grid: 45° (8 positions)
- Screws included (2 pcs.): M5x70
- Pin length: 37 or 43 mm

### Part No.:

### **A7240-XX-YYYY**

where **XX** is the pin length of 37 or 43 mm and **YYYY** is the colour of the product (available colours are shown below).

For example, a handle in golden colour with a pin length of 43 mm has the part number A7240-43-N05.

### Colour of the decorative coating:



**N01M**  
White  
RAL9016  
matt



**N02M**  
Brown  
RAL8022  
matt



**N03**  
Silver



**N05**  
Golden



**N06**  
Bronze



**N07M**  
Black  
RAL9005  
matt



**N09M**  
Anthracite  
RAL7016  
matt