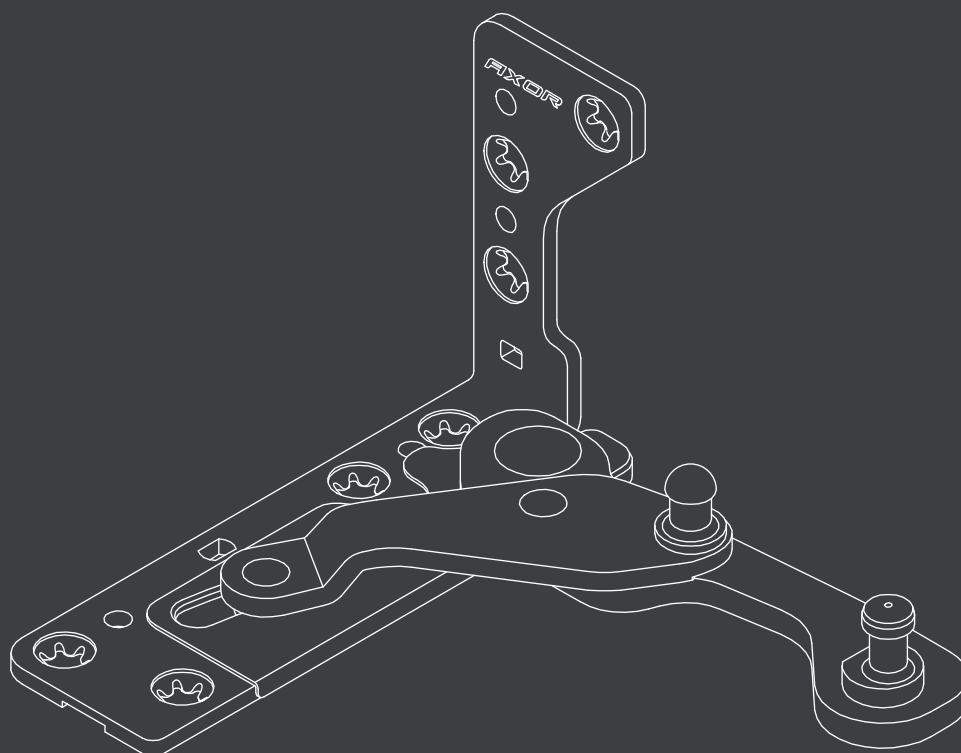


ELITE **E+**

Concealed hinges system for PVC profiles





| | |
|----------|------------------------------------|
| | Introduction |
| 1 | Concealed hinges system |
| 2 | Concealed stay arm system |
| 3 | Hardware overviews |
| 4 | Tools / Installation / Adjustments |
| 5 | Profile-dependent elements |



Concealed hinges system ELITE+

Introduction

Concealed hinges system ELITE+

The constructive of fully concealed hinges system is different from traditional one. Mechanical elements of hinges are completely hidden and integrated into the clearance (the distance between a frame and window's sash rebate). Visually, they are invisible, both indoors and from the street. Such constructive has a few advantages: modern window design and additional functionality of a window structure.

This catalog presents variants of fully concealed hinges' completing with window hardware Komfort Line K-3 Smart & Quick system for PVC windows. What allows producing translucent structures with different levels of resistance to burglary. This is achieved through the use of mushroom shaped cams in combination with the required number of security locking plates with which the final product is equipped.



ELITE+ benefits



Original design

Only a window - and nothing more! Concealed hinges make it possible to create unique window design and combine it harmoniously with an interior. The absence of visible elements allows you choosing the color of window's lamination without reference to the shade of decorative covers. Windows with concealed hinges are particularly relevant when creating original and elegant interiors, as well as the reconstruction of historical objects.

Improved thermal insulation

Through the use of concealed hinges it is providing additional gasket pressure sashes to a frame and bigger air-tightness of a structure. In addition, concealed hinges do not interrupt the contour of window seal, therefore blowing / frosting in area of hinges are excluded.



Increased burglary resistance

Concealed hinges are not visible from outside, so an intruder is extremely difficult to reach mechanism in hinges area. Together with other anti-burglar elements of a window, concealed hinges are able to protect a house from uninvited guests, including the anti-burglar class RC2.

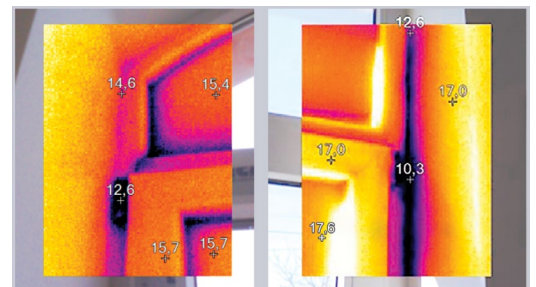
Compatible with any window jamb

Due to the construct of concealed hinges, when a window is opened, a sash is moving to the center. This simplifies requirements of window jambs' location.



Convenient opening width

Concealed hinges make it possible to open a window's sash up to 100 degrees. Taking into account, features of various window designs and individual needs in operation of a window, it is possible to install an opening limiter. This will limit the turning of a sash at a certain angle and prevent its strikes against of a window jamb.





The quality of elements' plating

Introduction

Protective plating

The quality of window hardware's plating parts has a great influence on its work, life and appearance.

Special technology of galvanic zinc plating allows obtaining high-quality coating that provides details of the hardware KOMFORT LINE K-3 Smart & Quick required level of corrosion protection.

At the same time, the silver color of window hardware's surface performs decorative function, allowing it to combine successfully with rest window's elements.



Causes of corrosion on the hardware

- 1) Prolonged exposure of high humidity (more than 70%).
- 2) Air polluted with industrial gases, containing compounds of various acids and exposure of salt mists.
- 3) Mechanical damages of the surface during installation or maintenance, violating integrity of the plating.
- 4) Detergents containing alkalis, acids, etc.
- 5) Frequent formation of condensation on the window hardware due to sudden temperature fluctuations.
- 6) Contamination with building materials, in particular with cement or gypsum plaster.

Guidelines for saving surface plating quality

- 1) Avoid contact with the building materials (plaster, cement, various mortars and construction dust).
- 2) Avoid exposure to the window hardware aggressive acid - containing vapors, and exposure of salt mist
- 3) Do not use seals that can absorb and retain moisture.
- 4) Clean the window hardware only with neutral pH products in diluted form.
- 5) Avoid mechanical damage to the surface with construction, installation and cleaning tools.








Hardware storage conditions

Rules apply to storage, transportation, unloading and loading. In the forced transportation under the open sky (e.g. production site) during precipitation use tape or similar protection from humidity and dampness. Storage is allowed only in specially enclosed spaces, not outdoors. To avoid condensation during transportation and storage.

- 1) Always keep the packaging closed. Always close (cover) the packages that were opened and do not to put them directly on the floor.
- 2) Transportation is only for vehicles intended for this purpose (if it is possible, on pallets with stretch tape).
- 3) Hardware mustn't be wet. Packaging must remain dry. (Recommended: Temperature in a warehouse - 15-25°C; Relative humidity - less than 50%).
- 4) In the case of wet packaging, remove parts from it, dry them and check for corrosion. Pack suitable parts in dry condition.

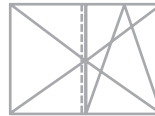


Basic designations

| | | | |
|---|---------------------------|---|------------------------------------|
|  | maximum sash weight in kg |  | cylindrical locking pin |
|  | screws (quantity / size) |  | burglar retardant locking pin |
|  | norm of packing (pieces) |  | burglar retardant locking pin FLAX |
|  | drill bit (diameter) | | |



tilt and turn sash



double sash window with main tilt and turn sash



single turn sash



single tilt sash

Presentation of information

All part number codes in the catalog are presented in alphanumeric form. Decoding part numbers can be found on pages 5-6. The dimensions shown in the catalog are nominal and contain general tolerances.

All sizes are in mm.

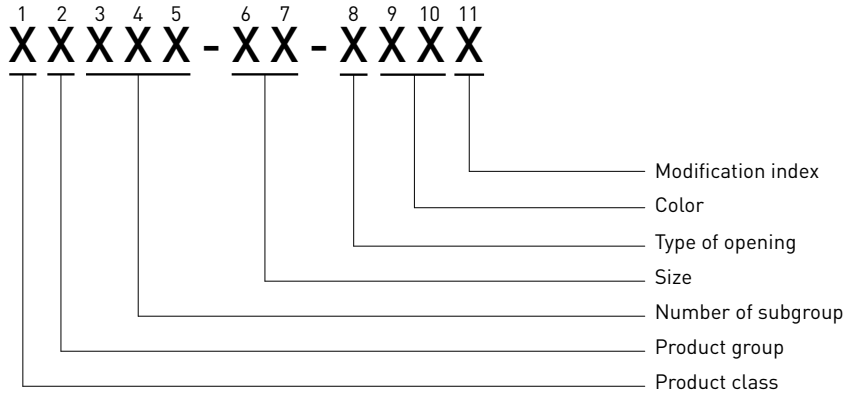
Information about sash's dimensions limitations should be taken from catalog's diagrams or installation manual.



Structure of a part number code

Introduction

Structure of a part number code



1. Product class (1st sign)

XXXXX-XX-XXXX

- "S" – smart line
- "K" – komfort line
- "A" – element refers to both classes

2. Product group (2nd sign)

X**X**XXXX-XX-XXXX

- "0" – alternative value
- "1" – gear variable
- "2" – corner transmissions
- "3" – stay arm
- "4" – extensions
- "5" – hinges
- "6" – standart locking plates, tilt locking plates
- "7" – locking plates and the other accessories
- "8" – alternative value
- "9" – alternative value

3-5. Subgroup number (3rd, 4th, 5th sign)

XX**XXX**-XX-XXXX

Additional information about product's subgroup.
 Example: group "gears", subgroup "double sash lever espagnolette variable".

6-7. Size (6th, 7th sign)

XXXXX-**XX**-XXXX

Important dimensions of the product such as the length of the axis, etc.



**8. Type of opening
(8th sign)**

XXXXX-XX-**X**XXX

“N” – universal

“R” – right

“L” – left

**9, 10. Color and plating
(9th and 10th sign)**

XXXXX-XX-X**XX**X

The ninth symbol indicates the color hue:

0 – basic color. For example, RAL9016 is the basic for white color, it is indicated by the code **01**; RAL8022 is the basic for brown color – **02**, etc.

1 – additional color. For example, RAL8019 for brown color – **12**.

2...9 – following additional colors.

The ninth symbol indicates the color:

| | | |
|-------------|---------------|--------------------|
| 0 – plating | 4 – champagne | 8 – steel surface |
| 1 – white | 5 – gold | 9 – special colors |
| 2 – brown | 6 – bronze | |
| 3 – silver | 7 – black | |

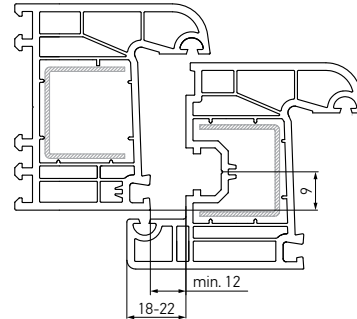
By default, all surfaces are glossy and this is not indicated separately in the article. Matte surfaces are marked with the letter **M** after the 10th symbol.

**11. Modification index (A, B, C)
(11th sign)**

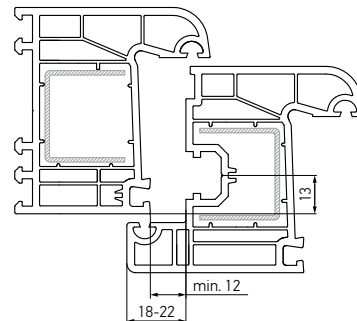


The single sash constructions

| | |
|---------------------------|------------|
| Sash rebate gap (A): | min. 12 mm |
| Sash overlap (C): | 18 – 22 mm |
| Sash groove position (B): | 9 mm |



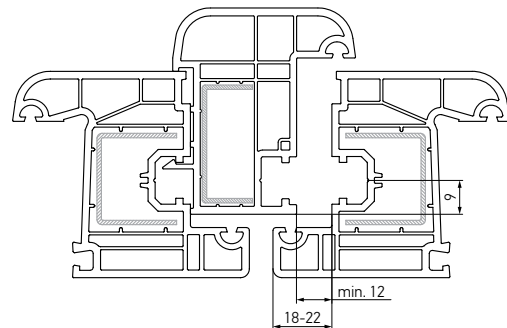
| | |
|---------------------------|------------|
| Sash rebate gap (A): | min. 12 mm |
| Sash overlap (C): | 18 – 22 mm |
| Sash groove position (B): | 13 mm |



The double sash constructions with opposite hardware groove

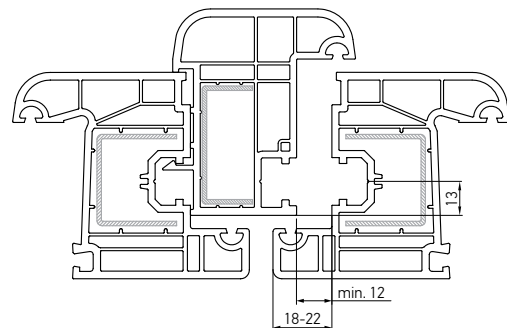
| | |
|---------------------------|------------|
| Sash rebate gap (A): | min. 12 mm |
| Sash overlap (C): | 18 – 22 mm |
| Sash groove position (B): | 9 mm |

The handling of a passive sash with double sash's gears K1002-XX-N03

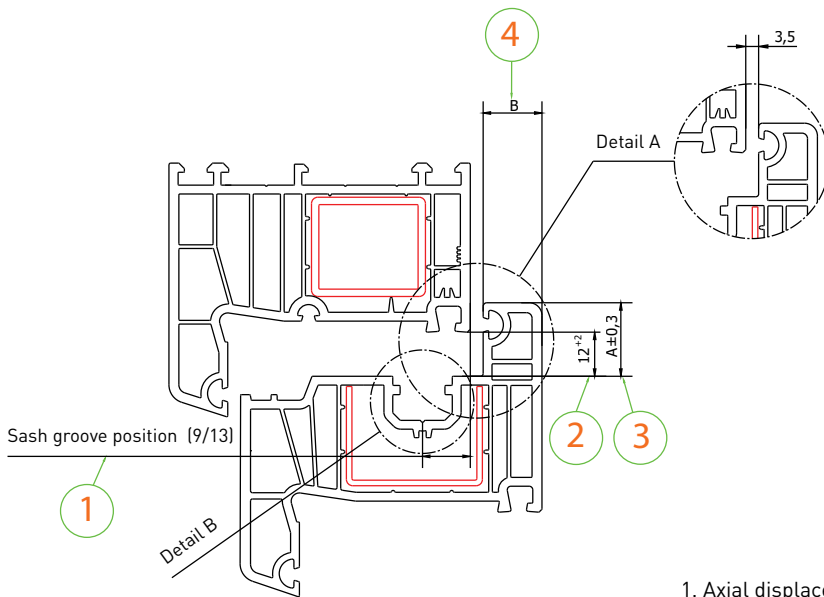
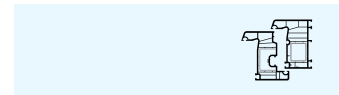


| | |
|---------------------------|------------|
| Sash rebate gap (A): | min. 12 mm |
| Sash overlap (C): | 18 – 22 mm |
| Sash groove position (B): | 13 mm |

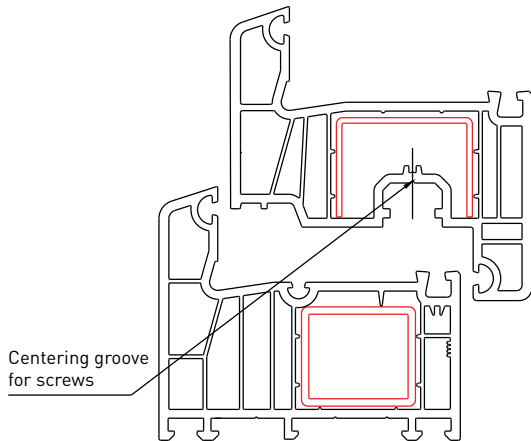
The handling of a passive sash with double sash's gears K1002-XX-N03



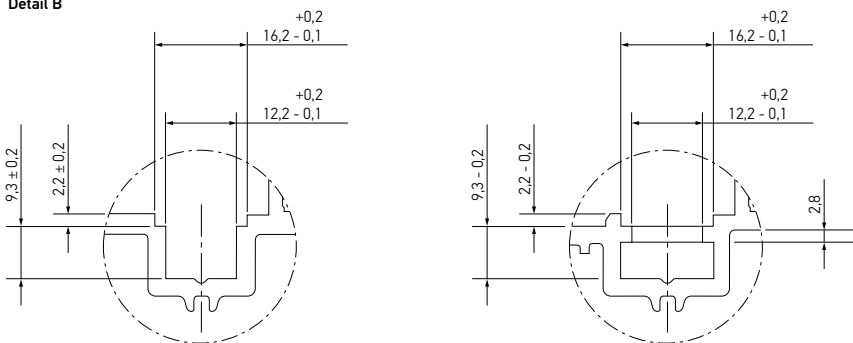
The information about profile-dependent elements you find at the profile list



1. Axial displacement of the fitting groove.
2. Distance required moving the hardware.
3. Value of the sash overlap.
4. Thickness of sash's overlap. The value on which depends necessary clearance for hinge operation.



Detail B



Dimensional compliance for for PVC profiles according to RAL as of February 1998

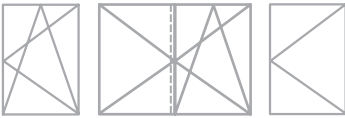
Gütegemeinschaft Schösserund Beschläge e.V., Offerstr. 12, 42551 Velbert



Application range diagrams

Introduction

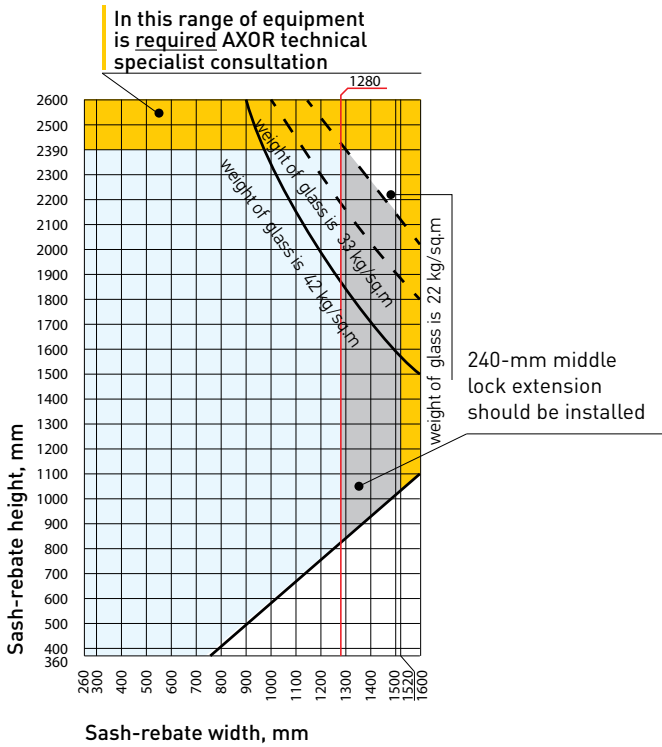
Single turn, tilt and turn and double sash design



Valid sash's size

Permissible sash's weight for this range is 130 kg max.

1 mm / m² glass thickness = 2.5

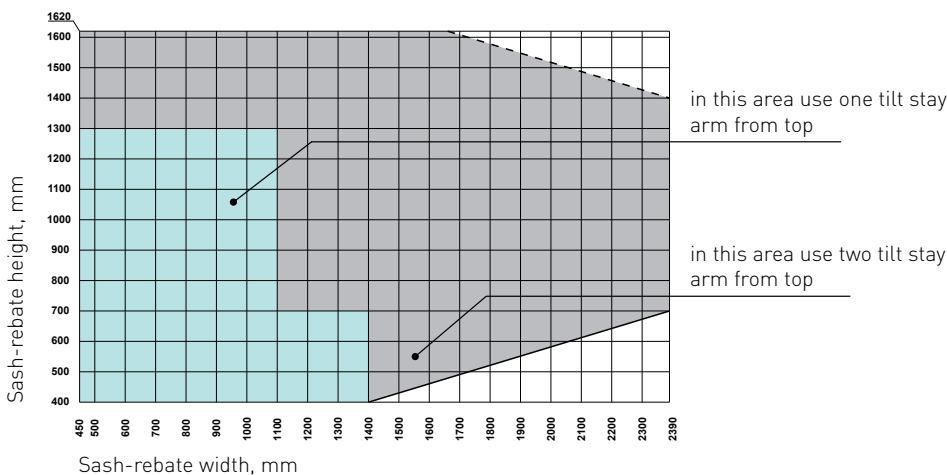


Tilt sash



Limit of sash's dimensions.

Maximum permissible sash's weight is 50 kg



AXOR[®]

ELITE +

Concealed hinges system

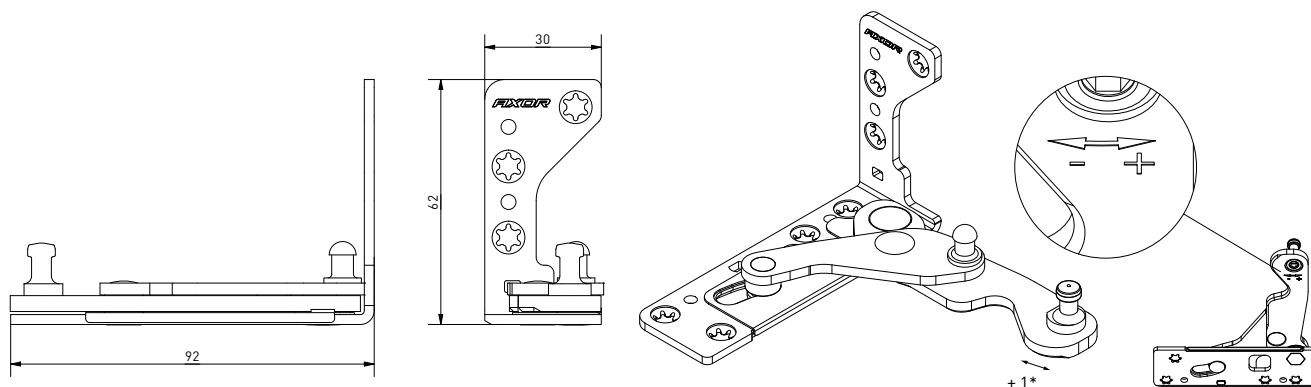
AXOR



Concealed bottom hinge

Concealed hinges system

Concealed bottom hinge

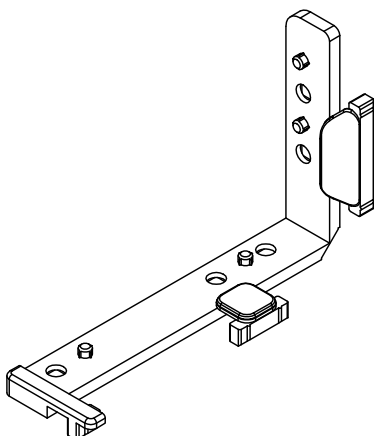


Sash rebate gap min. 12,5 mm!

* adjustment of gasket pressure, mm;

** see the section "Profile-dependent elements"

Concealed hinge packer**



| Description | Side opening | A | C | B | kg | | | Part No. |
|--|--------------|----|---|----|-----|----|----|--------------|
| Concealed bottom hinge PVC, 9 mm, left | L | 12 | — | 9 | 130 | 7 | 25 | A5025-09-L03 |
| Concealed bottom hinge PVC, 9 mm, right | R | 12 | — | 9 | 130 | 7 | 25 | A5025-09-R03 |
| Concealed bottom hinge PVC, 13 mm, left | L | 12 | — | 13 | 130 | 7 | 25 | A5025-13-L03 |
| Concealed bottom hinge PVC, 13 mm, right | R | 12 | — | 13 | 130 | 7 | 25 | A5025-13-R03 |
| Description | Side opening | A | C | B | kg | | | Part No. |
| Template for drilling, concealed hinges group, 30 mm | L/R | 12 | — | — | — | Ø3 | — | A7145-02-N03 |

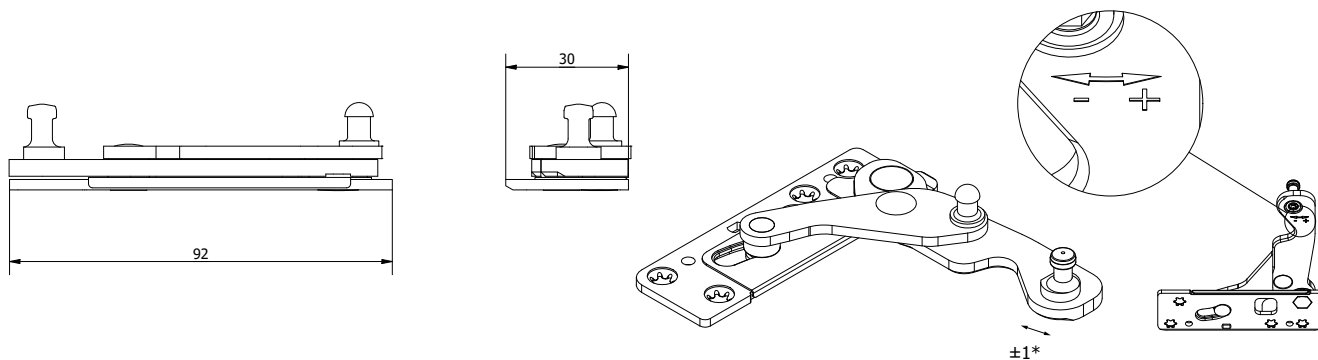
A - Sash rebate gap / C - Sash overlap / B - Sash groove position



Concealed bottom hinge horizontal fixation

Concealed hinges system

Concealed bottom hinge horizontal fixation PVC 13 mm



Sash rebate gap min. 12,5 mm!

* adjustment of gasket pressure, mm;

** see the section "Profile-dependent elements"

| Description | Side opening | A | C | B | kg | | | Part No. |
|---|--------------|----|---|----|----|---|----|--------------|
| Concealed bottom hinge horizontal fixation PVC 13 mm, left | L | 12 | — | 13 | 80 | 4 | 25 | A5036-13-L03 |
| Concealed bottom hinge horizontal fixation PVC 13 mm, right | R | 12 | — | 13 | 80 | 4 | 25 | A5036-13-R03 |

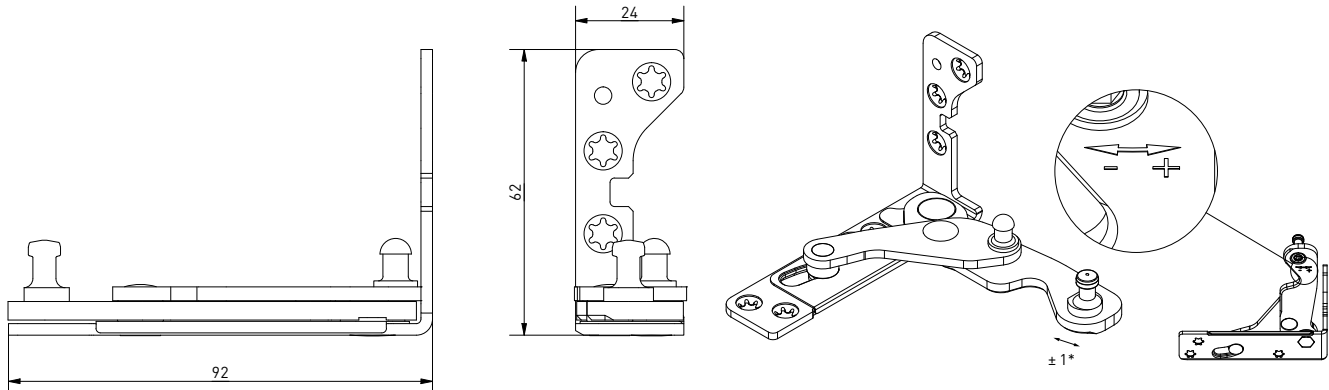
A - Sash rebate gap / C - Sash overlap / B - Sash groove position



**Concealed bottom hinge
for aluminium doorstep**

Concealed hinges system

Concealed bottom hinge for aluminium doorstep, 13 mm

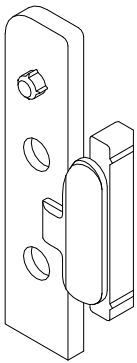


Sash rebate gap min. 12,5 mm!

* adjustment of gasket pressure, mm;

** see the section "Profile-dependent elements"

Concealed hinge packer**



| Description | Side opening | A | C | B | kg | | | Part No. |
|---|--------------|----|---|----|-----|----|----|--------------|
| Concealed bottom hinge for aluminium doorstep, 13 mm, left | L | 12 | — | 13 | 130 | 6 | 25 | A5055-13-L03 |
| Concealed bottom hinge for aluminium doorstep, 13 mm, right | R | 12 | — | 13 | 130 | 6 | 25 | A5055-13-R03 |
| Description | Side opening | A | C | B | kg | | | Part No. |
| Template for drilling, concealed hinges group, 24 mm | L/R | 12 | — | — | — | Ø3 | — | A7145-01-N03 |

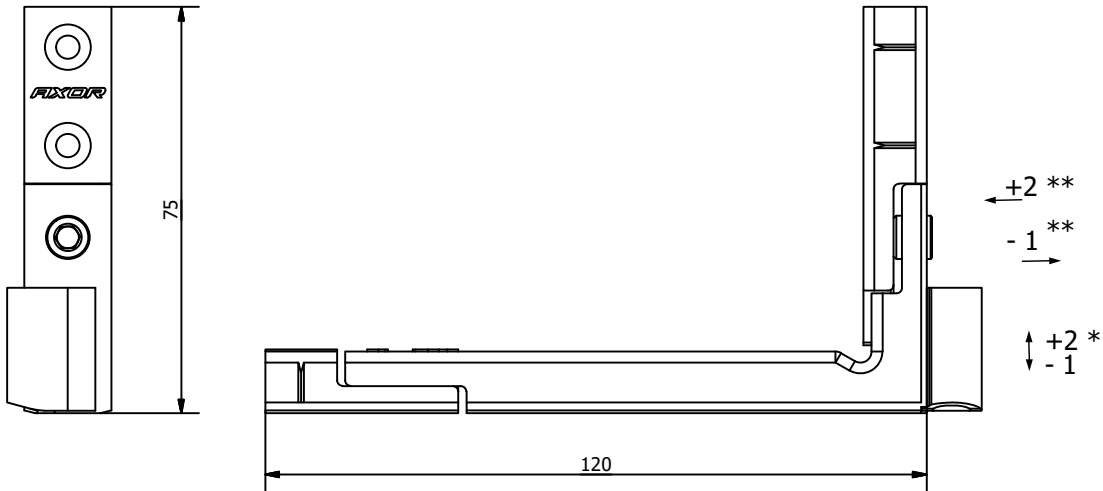
A - Sash rebate gap / C - Sash overlap / B - Sash groove position



Concealed bottom sash hinge

Concealed hinges system

Concealed bottom sash hinge



Sash rebate gap min. 12,5 mm!

* vertical adjustment, mm;

** horizontal adjustment, mm

| Description | Side opening | A | C | B | kg | | | Part No. |
|---|--------------|----|---|----|-----|---|-----|--------------|
| Concealed bottom sash hinge, 9 mm, left | L | 12 | — | 9 | 130 | 4 | 100 | A5027-09-L03 |
| Concealed bottom sash hinge, 9 mm, right | R | 12 | — | 9 | 130 | 4 | 100 | A5027-09-R03 |
| Concealed bottom sash hinge, 13 mm, left | L | 12 | — | 13 | 130 | 4 | 100 | A5027-13-L03 |
| Concealed bottom sash hinge, 13 mm, right | R | 12 | — | 13 | 130 | 4 | 100 | A5027-13-R03 |

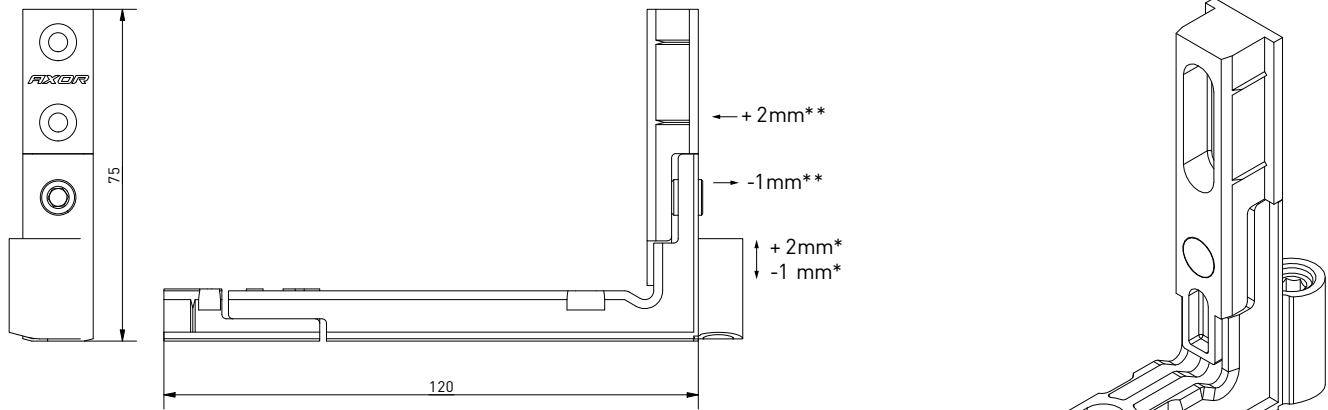
A - Sash rebate gap / C - Sash overlap / B - Sash groove position



~~XXX~~ Concealed bottom sash hinge
~~XXX~~ aluminium doorstep

Concealed stay arm system

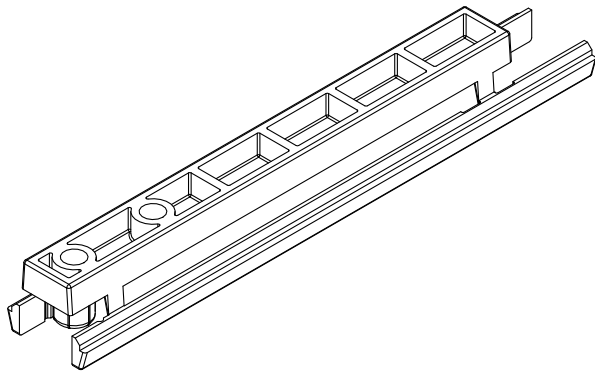
Concealed bottom sash hinge for aluminium doorstep, 13 mm



Sash rebate gap min. 12,5 mm!

* vertical adjustment, mm;
** horizontal adjustment, mm

Cover of concealed hinge
for low aluminium doorstep***



*** see the section "Profile-dependent elements"

| Description | Side opening | A | C | B | kg | | | Part No. |
|--|--------------|----|---|----|-----|---|-----|--------------|
| Concealed bottom sash hinge for aluminium doorstep, 13 mm, left | L | 12 | — | 13 | 130 | 4 | 100 | A5056-13-L03 |
| Concealed bottom sash hinge for aluminium doorstep, 13 mm, right | R | 12 | — | 13 | 130 | 4 | 100 | A5056-13-R03 |

A - Sash rebate gap / C - Sash overlap / B - Sash groove position

AXOR[®]

ELITE +

Concealed stay arm system

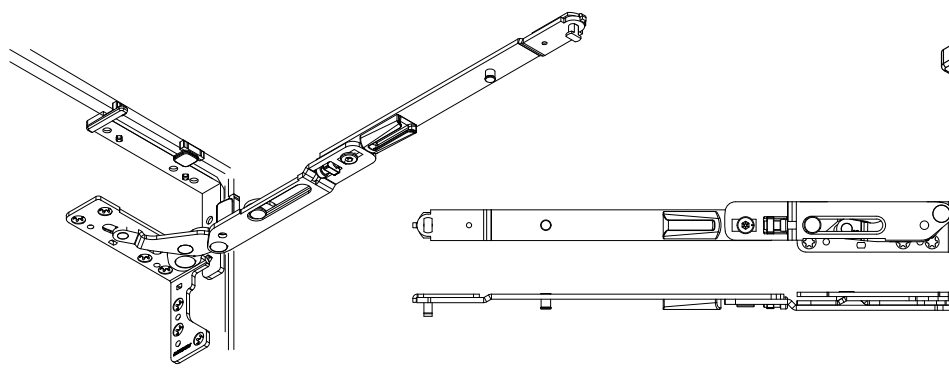
AXOR



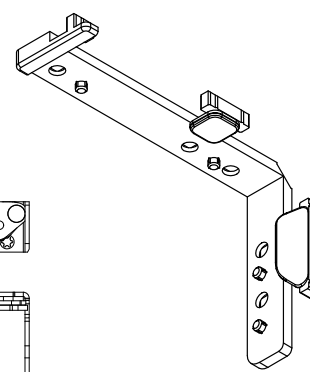
Stay arm

Concealed stay arm system

Concealed stay arm PVC



Concealed hinge packer***



Sash rebate gap min. 12 mm!

* adjustment of gasket pressure, mm;

** horizontal adjustment, mm;

*** see the section "Profile-dependent elements"

| Description | SRW (mm) | Side opening | A | C | B | kg | | | Part No. |
|--|-----------|--------------|----|---|----|-----|----|----|--------------|
| 480-800, left | 480-800 | L | 12 | — | 13 | 130 | 7 | 10 | A3001-02-L03 |
| Concealed stay arm PVC, 13 mm, 480-800, right | 480-800 | R | 12 | — | 13 | 130 | 7 | 10 | A3001-02-R03 |
| Concealed stay arm PVC, 13 mm, 801-1040, left | 801-1040 | L | 12 | — | 13 | 130 | 7 | 10 | A3001-03-L03 |
| Concealed stay arm PVC, 13 mm, 801-1040, right | 801-1040 | R | 12 | — | 13 | 130 | 7 | 10 | A3001-03-R03 |
| Concealed stay arm PVC, 13 mm, 1041-1280, left | 1041-1280 | L | 12 | — | 13 | 130 | 7 | 10 | A3001-04-L03 |
| Concealed stay arm PVC, 13 mm, 1041-1280, right | 1041-1280 | R | 12 | — | 13 | 130 | 7 | 10 | A3001-04-R03 |
| Concealed stay arm PVC, 9 mm, 480-800, left | 480-800 | L | 12 | — | 9 | 130 | 7 | 10 | A3002-02-L03 |
| Concealed stay arm PVC, 9 mm, 480-800, right | 480-800 | R | 12 | — | 9 | 130 | 7 | 10 | A3002-02-R03 |
| Concealed stay arm PVC, 9 mm, 801-1040, left | 801-1040 | L | 12 | — | 9 | 130 | 7 | 10 | A3002-03-L03 |
| Concealed stay arm PVC, 9 mm, 801-1040, right | 801-1040 | R | 12 | — | 9 | 130 | 7 | 10 | A3002-03-R03 |
| Concealed stay arm PVC, 9 mm, 1041-1280, left | 1041-1280 | L | 12 | — | 9 | 130 | 7 | 10 | A3002-04-L03 |
| Concealed stay arm PVC, 9 mm, 1041-1280, right | 1041-1280 | R | 12 | — | 9 | 130 | 7 | 10 | A3002-04-R03 |
| Description | SRW (mm) | Side opening | A | C | B | kg | | | Part No. |
| Template for drilling, concealed hinges group, 30 mm | — | L/R | — | — | — | — | Ø3 | — | A7145-02-N03 |

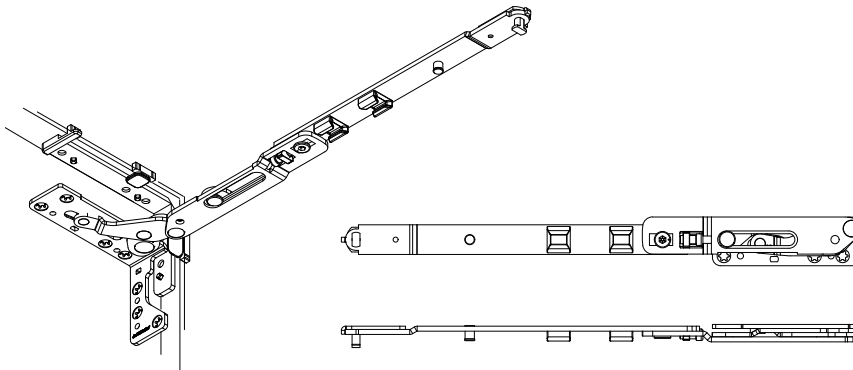
A - Sash rebate gap / C - Sash overlap / B - Sash groove position



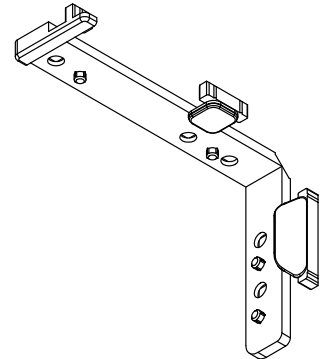
Stay arm “First Tilt”

Concealed stay arm system

Concealed stay arm “First Tilt” PVC



Concealed hinge packer***



Sash rebate gap min. 12 mm!

* adjustment of gasket pressure, mm;

** horizontal adjustment, mm;

*** see the section “Profile-dependent elements”

| Description | SRW (mm) | Side opening | A | C | B | kg | | | Part No. |
|--|-----------|--------------|----|---|----|-----|----|----|--------------|
| Concealed stay arm “First Tilt” PVC, 13 mm, 480-800, left | 480-800 | L | 12 | — | 13 | 130 | 7 | 10 | A3005-02-L03 |
| Concealed stay arm “First Tilt” PVC, 13 mm, 480-800, right | 480-800 | R | 12 | — | 13 | 130 | 7 | 10 | A3005-02-R03 |
| Concealed stay arm “First Tilt” PVC, 13 mm, 801-1040, left | 801-1040 | L | 12 | — | 13 | 130 | 7 | 10 | A3005-03-L03 |
| Concealed stay arm “First Tilt” PVC, 13 mm, 801-1040, right | 801-1040 | R | 12 | — | 13 | 130 | 7 | 10 | A3005-03-R03 |
| Concealed stay arm “First Tilt” PVC, 13 mm, 1041-1280, left | 1041-1280 | L | 12 | — | 13 | 130 | 7 | 10 | A3005-04-L03 |
| Concealed stay arm “First Tilt” PVC, 13 mm, 1041-1280, right | 1041-1280 | R | 12 | — | 13 | 130 | 7 | 10 | A3005-04-R03 |
| Concealed stay arm “First Tilt” PVC, 9 mm, 480-800, left | 480-800 | L | 12 | — | 9 | 130 | 7 | 10 | A3006-02-L03 |
| Concealed stay arm “First Tilt” PVC, 9 mm, 480-800, right | 480-800 | R | 12 | — | 9 | 130 | 7 | 10 | A3006-02-R03 |
| Concealed stay arm “First Tilt” PVC, 9 mm, 801-1040, left | 801-1040 | L | 12 | — | 9 | 130 | 7 | 10 | A3006-03-L03 |
| Concealed stay arm “First Tilt” PVC, 9 mm, 801-1040, right | 801-1040 | R | 12 | — | 9 | 130 | 7 | 10 | A3006-03-R03 |
| Concealed stay arm “First Tilt” PVC, 9 mm, 1041-1280, left | 1041-1280 | L | 12 | — | 9 | 130 | 7 | 10 | A3006-04-L03 |
| Concealed stay arm “First Tilt” PVC, 9 mm, 1041-1280, right | 1041-1280 | R | 12 | — | 9 | 130 | 7 | 10 | A3006-04-R03 |
| Description | SRW (mm) | Side opening | A | C | B | kg | | | Part No. |
| Template for drilling, concealed hinges group, 30 mm | — | L/R | — | — | — | — | Ø3 | — | A7145-02-N03 |

A - Sash rebate gap / C - Sash overlap / B - Sash groove position

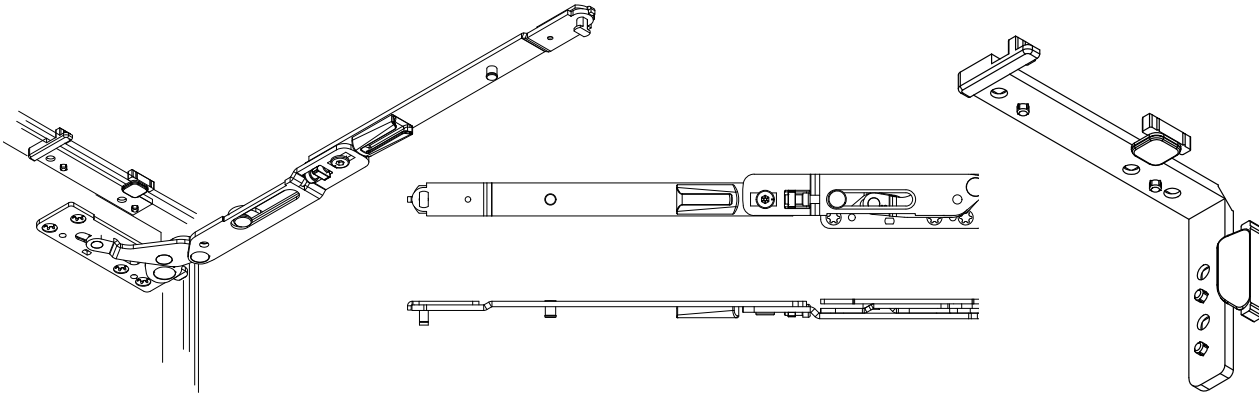


Stay arm

Concealed stay arm system

Concealed stay arm horizontal fixation

Concealed hinge packer***



Sash rebate gap min. 12 mm!

* adjustment of gasket pressure, mm;

** horizontal adjustment, mm;

*** see the section "Profile-dependent elements"

| Description | SRW (mm) | Side opening | A | C | B | kg | | | Part No. |
|---|-----------|--------------|----|---|----|-----|----|----|--------------|
| Concealed stay arm horizontal fixation PVC, 13 mm, 480-800, left | 480-800 | L | 12 | — | 13 | 130 | 7 | 10 | A3011-02-L03 |
| Concealed stay arm horizontal fixation PVC, 13 mm, 480-800, right | 480-800 | R | 12 | — | 13 | 130 | 7 | 10 | A3011-02-R03 |
| Concealed stay arm horizontal fixation PVC, 13 mm, 801-1040, left | 801-1040 | L | 12 | — | 13 | 130 | 7 | 10 | A3011-03-L03 |
| Concealed stay arm horizontal fixation PVC, 13 mm, 801-1040, right | 801-1040 | R | 12 | — | 13 | 130 | 7 | 10 | A3011-03-R03 |
| Concealed stay arm horizontal fixation PVC, 13 mm, 1041-1280, left | 1041-1280 | L | 12 | — | 13 | 130 | 7 | 10 | A3011-04-L03 |
| Concealed stay arm horizontal fixation PVC, 13 mm, 1041-1280, right | 1041-1280 | R | 12 | — | 13 | 130 | 7 | 10 | A3011-04-R03 |
| Description | SRW (mm) | Side opening | A | C | B | kg | | | Part No. |
| Template for drilling, concealed hinges group, 30 mm | — | L/R | — | — | — | — | Ø3 | — | A7145-02-N03 |

A - Міжфальцевий зазор / C - Ширина наплаву / B - Зсув осі паза фурнітури

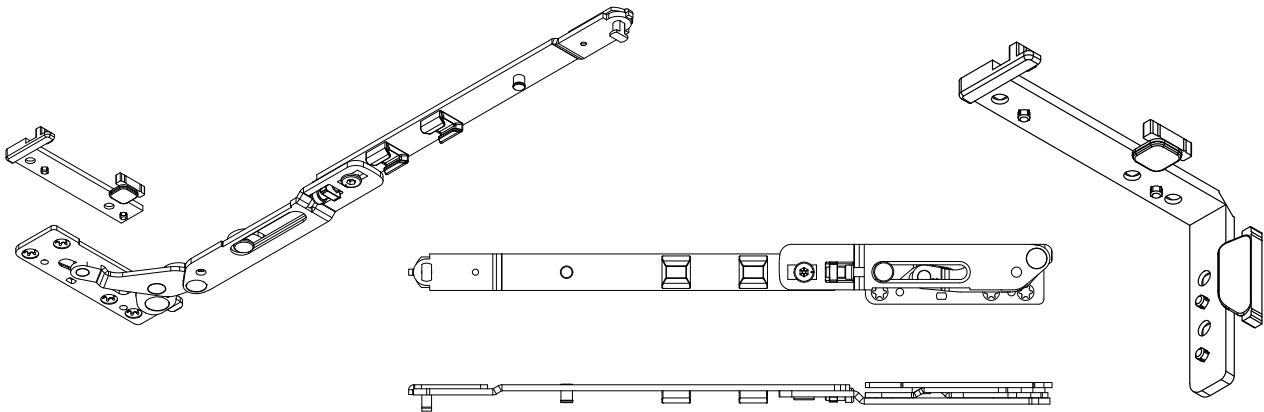


Stay arm "First Tilt"

Concealed stay arm system

Concealed stay arm "First Tilt" PVC horizontal fixation

Concealed hinge packer***



Sash rebate gap min. 12 mm!

* adjustment of gasket pressure, mm;

** horizontal adjustment, mm;

*** see the section "Profile-dependent elements"

| Description | SRW (mm) | Side opening | A | C | B | kg | | | Part No. |
|---|-----------|--------------|----|---|---|-----|----|----|--------------|
| Ножиці "FIRST TILT" прихованої петльової групи, 13 mm, 480-800, left | 480-800 | L | 12 | — | 9 | 130 | 7 | 10 | A3012-02-L03 |
| Concealed stay arm "First Tilt" PVC horizontal fixation, 13mm, 480-800, right | 480-800 | R | 12 | — | 9 | 130 | 7 | 10 | A3012-02-R03 |
| Concealed stay arm "First Tilt" PVC horizontal fixation, 13mm, 801-1040, left | 801-1040 | L | 12 | — | 9 | 130 | 7 | 10 | A3012-03-L03 |
| Concealed stay arm "First Tilt" PVC horizontal fixation, 13mm, 801-1040, right | 801-1040 | R | 12 | — | 9 | 130 | 7 | 10 | A3012-03-R03 |
| Concealed stay arm "First Tilt" PVC horizontal fixation, 13mm, 1041-1280, left | 1041-1280 | L | 12 | — | 9 | 130 | 7 | 10 | A3012-04-L03 |
| Concealed stay arm "First Tilt" PVC horizontal fixation, 13mm, 1041-1280, right | 1041-1280 | R | 12 | — | 9 | 130 | 7 | 10 | A3012-04-R03 |
| Description | SRW (mm) | Side opening | A | C | B | kg | | | Part No. |
| Template for drilling, concealed hinges group, 30 mm | — | L/R | — | — | — | — | Ø3 | — | A7145-02-N03 |

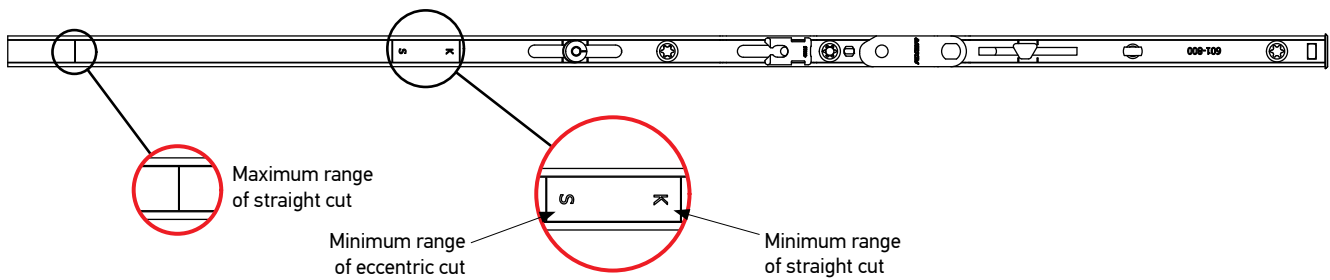
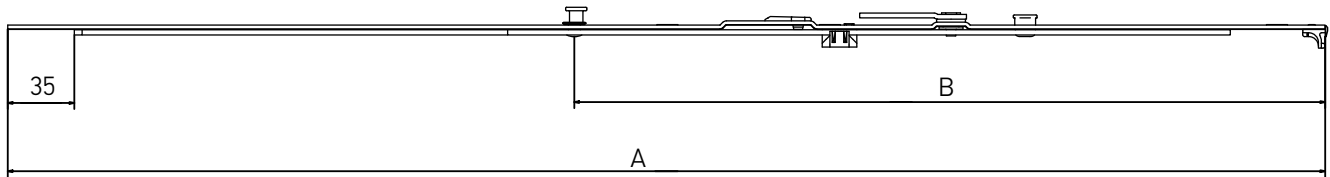
A - Міжфальцевий зазор / C - Ширина наплаву / B - Зсув осі паза фурнітури



Stay arm, sash part

Concealed stay arm system

Stay arm, sash part



| Description | SRW (mm) | Side opening | Dimensions | | | | | | Part No. |
|--|-----------|--------------|------------|-----|---|-----|---|----|--------------|
| | | | A | B | | | | | |
| Stay arm, sash part 1 L=565, 480-680, left | 480-680 | L | 565 | — | — | 130 | 3 | 20 | K3030-06-L03 |
| Stay arm, sash part 1 L=565, 480-680, right | 480-680 | R | 565 | — | — | 130 | 3 | 20 | K3030-06-R03 |
| Stay arm, sash part 2 L=685, 600-800, left | 600-800 | L | 685 | 390 | 1 | 130 | 4 | 20 | K3030-07-L03 |
| Stay arm, sash part 2 L=685, 600-800, right | 600-800 | R | 685 | 390 | 1 | 130 | 4 | 20 | K3030-07-R03 |
| Stay arm, sash part 3 L=925, 801-1040, left | 801-1040 | L | 925 | 536 | 1 | 130 | 7 | 20 | K3030-09-L03 |
| Stay arm, sash part 3 L=925, 801-1040, right | 801-1040 | R | 925 | 536 | 1 | 130 | 7 | 20 | K3030-09-R03 |
| Stay arm, sash part 4 L=1165, 1041-1280, left | 1041-1280 | L | 1165 | 623 | 1 | 130 | 8 | 20 | K3030-12-L03 |
| Stay arm, sash part 4 L=1165, 1041-1280, right | 1041-1280 | R | 1165 | 623 | 1 | 130 | 8 | 20 | K3030-12-R03 |

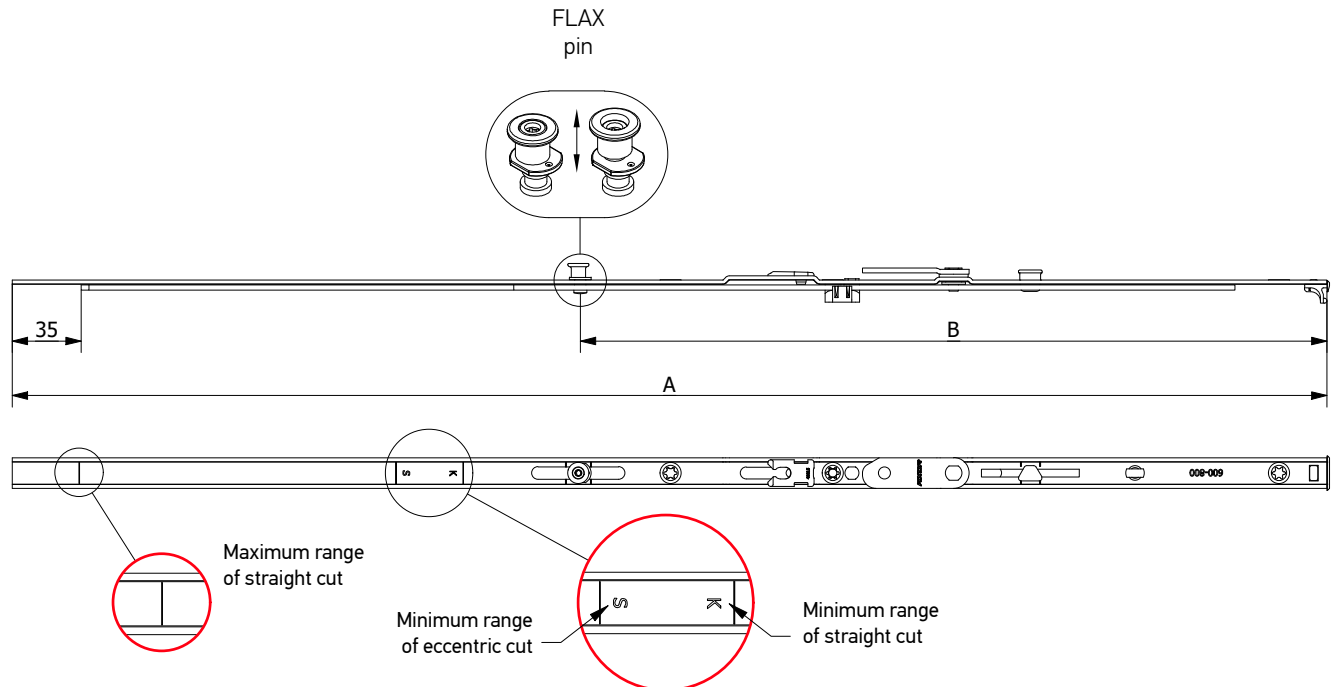
A - Sash rebate gap / C - Sash overlap / B - Sash groove position



Stay arm, sash part

Concealed stay arm system

Stay arm, sash part, FLAX pin



- for 18-22 mm sash overlap;
- sash rebate gap min. 12 mm.

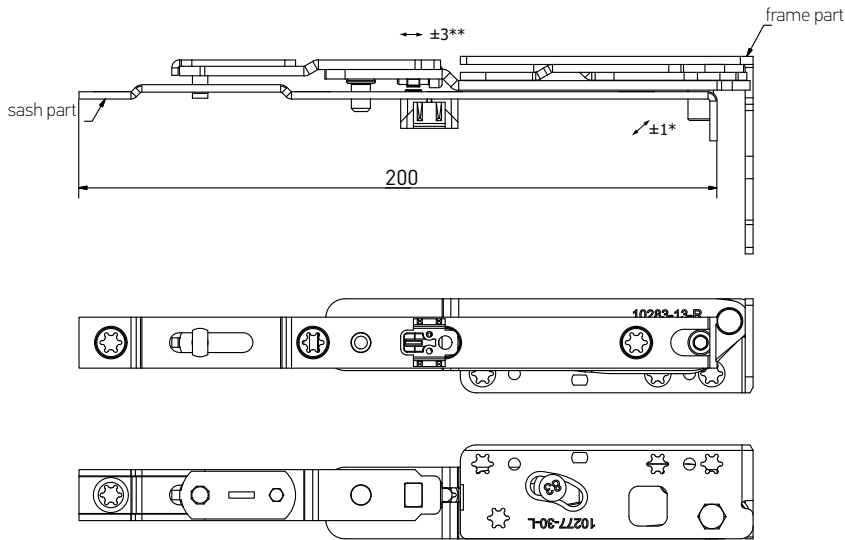
| Description | SRW (mm) | Dimensions | | | | | | Part No. |
|--|-----------|------------|-----|---|-----|---|----|--------------|
| | | A | B | | | | | |
| Stay arm, sash part 685 mm, left, 600-800, 1FX | 600-800 | 685 | 390 | 1 | 130 | 3 | 20 | K3040-07-L03 |
| Stay arm, sash part 685 mm, right, 600-800, 1FX | 600-800 | 685 | 390 | 1 | 130 | 3 | 20 | K3040-07-R03 |
| Stay arm, sash part 925 mm, left, 801-1040, 1FX | 801-1040 | 925 | 537 | 1 | 130 | 6 | 10 | K3040-09-L03 |
| Stay arm, sash part 925 mm, right, 801-1040, 1FX | 801-1040 | 925 | 537 | 1 | 130 | 6 | 10 | K3040-09-R03 |
| Stay arm, sash part 1165 mm, left, 1041-1280, 1FX | 1041-1280 | 1165 | 624 | 1 | 130 | 7 | 10 | K3040-12-L03 |
| Stay arm, sash part 1165 mm, right, 1041-1280, 1FX | 1041-1280 | 1165 | 624 | 1 | 130 | 7 | 10 | K3040-12-R03 |



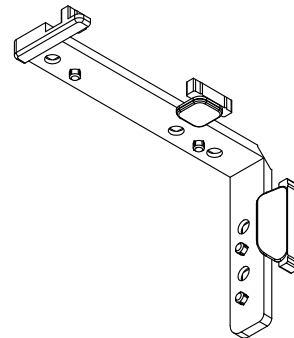
Concealed side hung top hinge

Concealed stay arm system

Concealed side hung top hinge



Concealed hinge packer***



Sash rebate gap min. 12 mm!

* adjustment of gasket pressure, mm;

** horizontal adjustment, mm;

*** see the section "Profile-dependent elements"

| Description | SRW (mm) | Side opening | A | C | B | kg | | | Part No. |
|--|----------|--------------|----|---|----|-----|----|----|--------------|
| Concealed side hung top hinge, 9 mm, left | 320-1280 | L | 12 | — | 9 | 130 | 11 | 10 | A5023-09-L03 |
| Concealed side hung top hinge, 9 mm, right | 320-1280 | R | 12 | — | 9 | 130 | 11 | 10 | A5023-09-R03 |
| Concealed side hung top hinge, 13 mm, left | 320-1280 | L | 12 | — | 13 | 130 | 11 | 10 | A5023-13-L03 |
| Concealed side hung top hinge, 13 mm, right | 320-1280 | R | 12 | — | 13 | 130 | 11 | 10 | A5023-13-R03 |
| Description | SRW (mm) | Side opening | A | C | B | kg | | | Part No. |
| Template for drilling, concealed hinges group, 30 mm | — | L/R | — | — | — | — | Ø3 | — | A7145-02-N03 |

A - Sash rebate gap / C - Sash overlap / B - Sash groove position

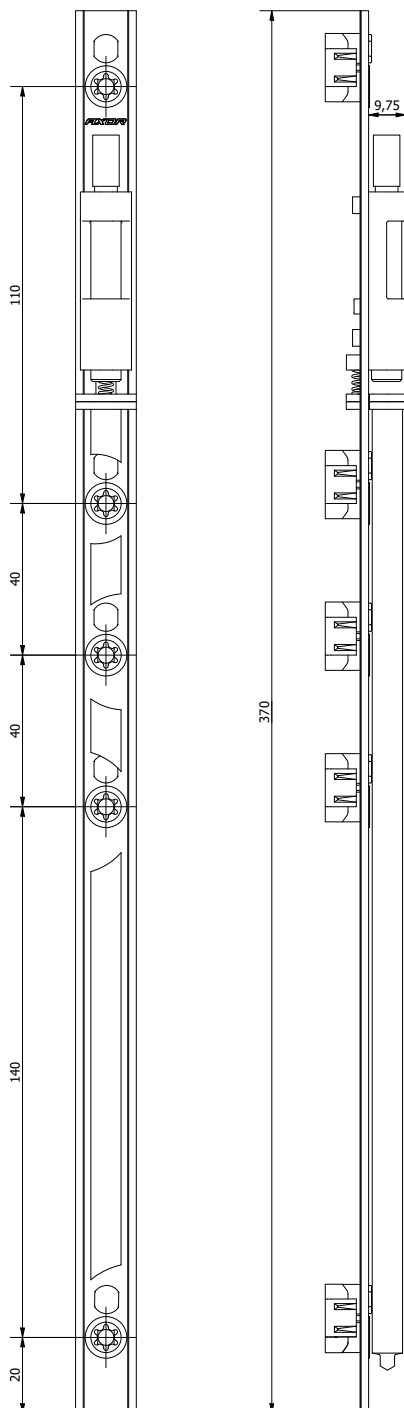


Разгрузочное устройство

The load transfer device for concealed hinge group

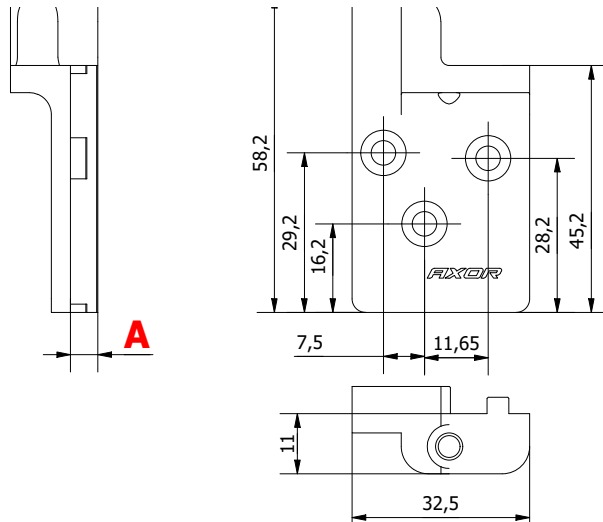
The load transfer device installation is recommended for sashes weighing over 100 kg.



The load transfer device installation is mandatory for sashes weighing 130 kg or more.



| Description | Side opening |  |  | Part No. |
|--|--------------|---|---|--------------|
| The load transfer device for concealed hinge group, 370 mm | L/R | 5 | | A7202-00-N03 |


Рамная часть разгрузочного устройства

 The load transfer device for
concealed hinge group


| Description | Profile | Side opening |  |  | Part No. |
|---|---------------------------------|--------------|---|---|--------------|
| A frame part of load transfer device, 3 mm, left | WDS Veka soft line AD | L | 2 | | A7253-00-L03 |
| A frame part of load transfer device, 3 mm, right | WDS, Veka soft line AD | R | 2 | | A7253-00-R03 |
| A frame part of load transfer device, 4 mm, left | Decco GEALAN REHAU Sinego | L | 2 | | A7254-00-L03 |
| A frame part of load transfer device, 4 mm, right | Decco GEALAN REHAU Sinego | R | 2 | | A7254-00-R03 |
| A frame part of load transfer device, 5 mm, left | Aluplast 4000/8000/7000 | L | 2 | | A7227-00-L03 |
| A frame part of load transfer device, 5 m, right | Aluplast 4000/8000/7000 | R | 2 | | A7227-00-R03 |

AXOR[®]

ELITE +

Hardware overviews

AXOR



Section content

Hardware overviews

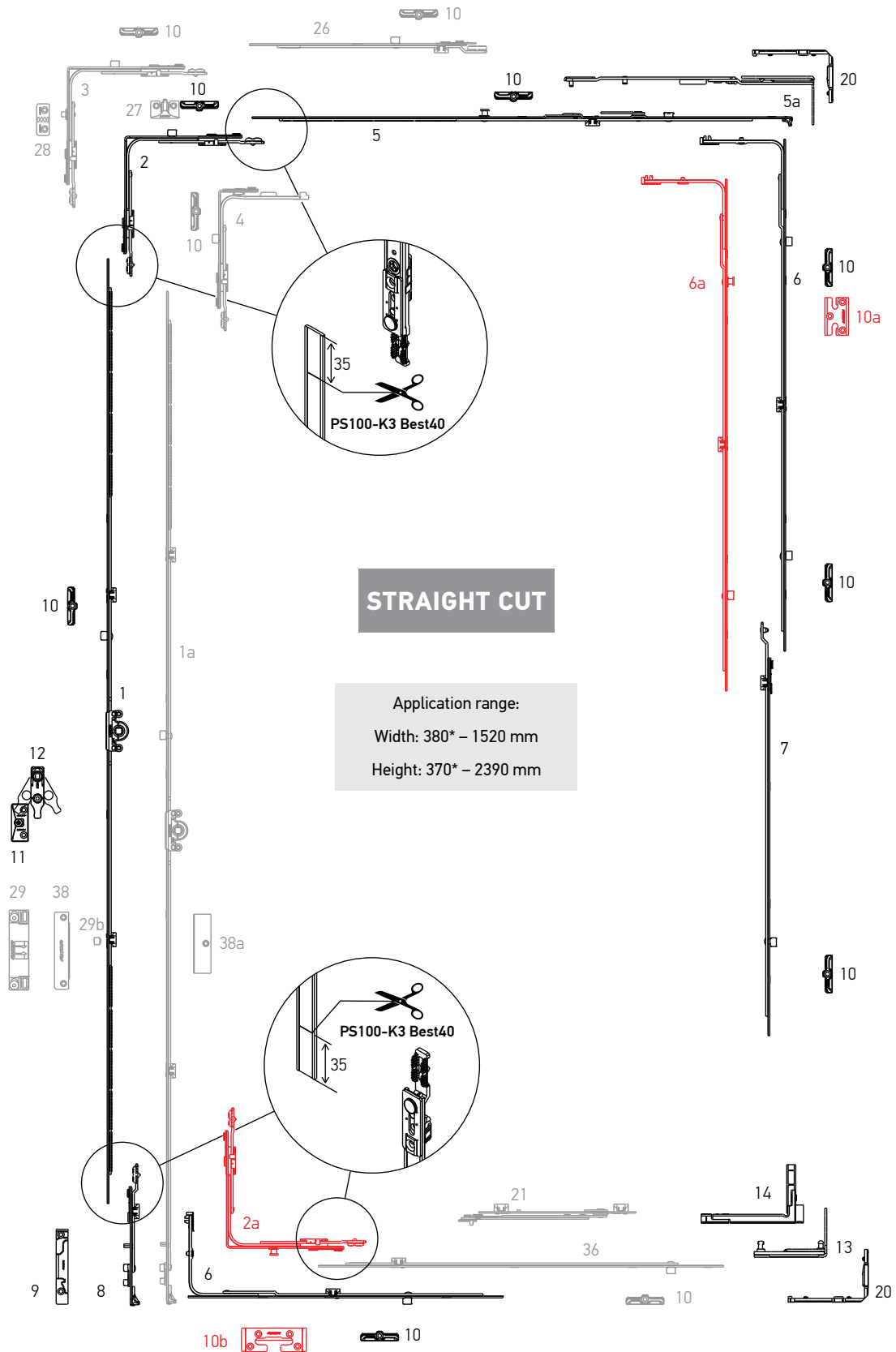
| | Pages |
|---|-------|
| Hardware sets with straight cut | |
| Tilt and turn set | 22 |
| Tilt and turn set "First Tilt" | 25 |
| Advanced turn set | 28 |
| Turn set | 30 |
| Advanced tilt set | 32 |
| Tilt set | 34 |
| Double sash set | 35 |
| Double sash set "First Tilt" | 39 |
| Hardware sets with eccentric cut | |
| Tilt and turn set | 41 |
| Tilt and turn set "First Tilt" | 44 |
| Advanced turn set | 49 |
| Advanced tilt set | 51 |
| Double sash set | 53 |
| Double sash set "First Tilt" | 57 |



Tilt and turn set

Hardware overviews

Tilt and turn set. Straight cut.



* - with narrow corner transmission K2003-00-N03


Tilt and turn set
Hardware overviews
STRAIGHT CUT

| Nº | Description | Application range by width | Application range by height | Part No. |
|----|--|----------------------------|-----------------------------|----------------|
| 1 | Gear variable 0, L=320, 450-550 | — | 450-550 | K1001-02-N03 |
| | Gear variable 1, L=520, 551-750 | — | 551-750 | K1001-04-N03 |
| | Gear variable 2, L=1000, 751-1230, 1 ML | — | 751-1230 | K1001-09-N03 |
| | Gear variable 3, L=1200, 950-1430, 1 ML | — | 950-1430 | K1001-11-N03 |
| | Gear variable 4, L=1480, 1231-1710, 2 ML | — | 1231-1710 | K1001-14-N03 |
| | Gear variable 5, L=1680, 1431-1910, 2 ML | — | 1431-1910 | K1001-16-N03 |
| | Gear variable 6, L=2160, 1911-2390, 3 ML | — | 1911-2390 | K1001-21-N03 |
| 1a | Constant tilt-turn gear 0, L=435, G=140, 370-550* | — | 370-550 | K1004-04-N03 |
| | Constant tilt-turn gear 0, L=435, G=130, 360-550* | — | 360-550 | K1004-54-N03 |
| | Constant tilt-turn gear 1, L=385, G=175, 400-500* | — | 400-500 | K1004-03-N03 |
| | Constant tilt-turn gear 2, L=565, G=200, 480-680* | — | 480-680 | K1004-05-N03 |
| | Constant tilt-turn gear 3, L=805, G=300, 681-920*, 1 ML | — | 681-920 | K1004-08-N03 |
| | Constant tilt-turn gear 4, L=1045, G=450, 921-1160*, 1 ML | — | 921-1160 | K1004-10-N03 |
| | Constant tilt-turn gear 5, L=1285, G=600, 1161-1400*, 1 ML | — | 1161-1400 | K1004-12-N03 |
| | Constant tilt-turn gear 6, L=1525, G=600, 1401-1640*, 2 ML | — | 1401-1640 | K1004-15-N03 |
| | Constant tilt-turn gear 7, L=1765, G=600, 1641-1880*, 2 ML | — | 1641-1880 | K1004-17-N03 |
| | Constant tilt-turn gear 8, L=1765, G=1000, 1641-1880*, 2 ML | — | 1641-1880 | K1004-18-N03 |
| | Constant tilt-turn gear 9, L=2005, G=1000, 1881-2120*, 2 ML | — | 1881-2120 | K1004-20-N03 |
| | Constant tilt-turn gear 10, L=2245, G=1000, 2121-2360*, 3 ML | — | 2121-2360 | K1004-22-N03 |
| 2 | Corner transmission, 1 ML, 150x150 | 480-1280 | 450-2390 | K2001-00-N03 |
| 2a | Corner transmission, 1 MR, 150x150 | 480-1280 | 450-2390 | K2005-00-N03 |
| 3 | Corner transmission, integrated slit, 1 ML, 150x150, left | 480-1280 | 450-2390 | K2004-00-L03 |
| | Corner transmission, integrated slit, 1 ML, 150x150, right | 480-1280 | 450-2390 | K2004-00-R03 |
| 4 | Narrow corner transmission, 1 ML, 50x150 | 380-480 | 450-2390 | K2003-00-N03 |
| | | 480-680 | 370-550 | |
| 5 | Stay arm, sash part 1, L=565, 480-680, left / right | 480-680 | — | K3030-06-L/R03 |
| | Stay arm, sash part 2, L=685, 600-800, left / right | 601-800 | — | K3030-07-L/R03 |
| | Stay arm, sash part 3, L=925, 801-1040, left / right | 801-1040 | — | K3030-09-L/R03 |
| | Stay arm, sash part 4, L=1165, 1041-1280, left / right | 1041-1280 | — | K3030-12-L/R03 |
| 5a | Concealed stay arm PVC, 13 mm, 480-800, left / right | 480-800 | — | A3001-02-L/R03 |
| | Concealed stay arm PVC, 13 mm, 801-1040, left / right | 801-1040 | — | A3001-03-L/R03 |
| | Concealed stay arm PVC, 13 mm, 1041-1280, left / right | 1041-1280 | — | A3001-04-L/R03 |
| | Concealed stay arm PVC, 9 mm, 480-800, left / right | 480-800 | — | A3002-02-L/R03 |
| | Concealed stay arm PVC, 9 mm, 801-1040, left / right | 801-1040 | — | A3002-03-L/R03 |
| | Concealed stay arm PVC, 9 mm, 1041-1280, left / right | 1041-1280 | — | A3002-04-L/R03 |
| 6 | Middle lock L=400, 2 ML | 600-1000 | 600-1000 | K4004-04-N03 |
| | Middle lock L=650, 2 ML | 850-1250 | 850-1250 | K4004-06-N03 |
| | Middle lock L=720, 2 ML | 920-1320 | 920-1320 | K4004-07-N03 |
| | Middle lock L=820, 2 ML | 1251-1430 | 1251-1430 | K4004-08-N03 |
| | Middle lock L=1130, 3 ML | — | 1251-1730 | K4004-11-N03 |


Tilt and turn set
Hardware overviews
STRAIGHT CUT

| N° | Description | Application range by width | Application range by height | Part No. |
|-----|---|----------------------------|-----------------------------|---------------|
| 6a | Middle lock L=400, 1 MR + 1 ML | 600-1000 | 600-1000 | K4008-04-N03 |
| | Middle lock L=650, 1 MR + 1 ML | 850-1250 | 850-1250 | K4008-06-N03 |
| | Middle lock L=820, 1 MR + 1 ML | 1251-1430 | 1251-1430 | K4008-08-N03 |
| | Middle lock L=1130, 1 MR + 2 ML | — | 1251-1730 | K4008-11-N03 |
| 7 | Middle lock extension, 1 ML, 480 mm | — | 1710-2210 | K4005-05-N03 |
| | Middle lock extension, 1 ML, 680 mm | — | 2211-2390 | K4005-07-N03 |
| 8 | Bottom extension | — | 450-800 | K4009-00-N03 |
| | | — | 801-2390 | K4002-00-N03 |
| 9 | Tilt locking plate, right | — | — | ** |
| | Tilt locking plate, left | — | — | ** |
| 10 | Locking plate | — | — | ** |
| 10a | Locking plate safety | — | — | ** |
| 10b | Tilt locking plate safety | — | — | ** |
| 11 | Lifting plate | — | 751-2390 | ** |
| 12 | Wrong operation safety device with sash lifter | — | 751-2390 | A7001-00-N03 |
| 13 | Concealed bottom hinge PVC, 9 mm, left | — | — | A5025-09-L03 |
| | Concealed bottom hinge PVC, 9 mm, right | — | — | A5025-09-R03 |
| | Concealed bottom hinge PVC, 13 mm, left | — | — | A5025-13-L03 |
| | Concealed bottom hinge PVC, 13 mm, right | — | — | A5025-13-R03 |
| 14 | Concealed bottom sash hinge, 9 mm, left | — | — | A5027-09-L03 |
| | Concealed bottom sash hinge, 9 mm, right | — | — | A5027-09-R03 |
| | Concealed bottom sash hinge, 13 mm, left | — | — | A5027-13-L03 |
| | Concealed bottom sash hinge, 13 mm, right | — | — | A5027-13-R03 |
| 20 | Concealed hinge packer, 13 mm, left | — | — | A7**-13-L03 |
| | Concealed hinge packer, 13 mm, right | — | — | A7**-13-R03 |
| 21 | Sash turning restrictor | — | — | A7110-00-N03 |
| 26 | Extension lock 275 mm, 1 ML | — | — | K4003-02-N03 |
| 27 | Locking plate, integrated slit | — | — | ** |
| 28 | Locking plate for integrated slit (frame part) | — | — | ** |
| 29 | Balcony catch | — | — | A7184-13-N03 |
| 29b | Balcony locking pin | — | — | A7207-00-N03 |
| 36 | Extension lock for corner transmission 480 mm, 1 ML | — | — | K4010-00-N03 |
| | Extension lock for corner transmission 680 mm, 1 ML | — | — | K4010-07-N03 |
| | Extension lock for corner transmission 880 mm, 2 ML | — | — | K4010-09-N03 |
| | Extension lock for corner transmission 480 mm, 1 MR | — | — | K4030-00-N03 |
| 38 | Magnetic balcony catch, frame part | — | — | A7053-00-N03 |
| 38a | Magnetic balcony catch, sash part | — | — | A7055-***-N03 |

* – with offset relative to center

** – see the section “Profile-dependent elements” of catalogues KOMFORT LINE K-3 Smart & Quick or ELITE+

*** – according to displacement axis of sash groove (9 mm, 10 mm, 13 mm, 14 mm)


Tilt and turn set “First Tilt”*
Hardware overviews
STRAIGHT CUT

| N° | Description | Application range by width | Application range by height | Part No. |
|-----|---|----------------------------|-----------------------------|----------------|
| 1 | Gear variable 0, L=320, 450-550 | — | 450-550 | K1001-02-N03 |
| | Gear variable 1, L=520, 551-750 | — | 551-750 | K1001-04-N03 |
| | Gear variable 2, L=1000, 751-1230, 1 ML | — | 751-1230 | K1001-09-N03 |
| | Gear variable 3, L=1200, 950-1430, 1 ML | — | 950-1430 | K1001-11-N03 |
| | Gear variable 4, L=1480, 1231-1710, 2 ML | — | 1231-1710 | K1001-14-N03 |
| | Gear variable 5, L=1680, 1431-1910, 2 ML | — | 1431-1910 | K1001-16-N03 |
| | Gear variable 6, L=2160, 1911-2390, 3 ML | — | 1911-2390 | K1001-21-N03 |
| 2 | Corner transmission, 1 ML, 150x150 | 480-1280 | 450-2390 | K2001-00-N03 |
| 2a | Corner transmission, 1 MR, 150x150 | 480-1280 | 450-2390 | K2005-00-N03 |
| 3 | Corner transmission, integrated slit, 1 ML, 150x150, left | 480-1280 | 450-2390 | K2004-00-L03 |
| | Corner transmission, integrated slit, 1 ML, 150x150, right | 480-1280 | 450-2390 | K2004-00-R03 |
| 4 | Narrow corner transmission, 1 ML, 50x150 | 380-480 | 450-2390 | K2003-00-N03 |
| | | 480-680 | 370-550 | |
| 5 | Stay arm, sash part 1, L=565, 480-680, left / right | 480-680 | — | K3030-06-L/R03 |
| | Stay arm, sash part 2, L=685, 600-800, left / right | 601-800 | — | K3030-07-L/R03 |
| | Stay arm, sash part 3, L=925, 801-1040, left / right | 801-1040 | — | K3030-09-L/R03 |
| | Stay arm, sash part 4, L=1165, 1041-1280, left / right | 1041-1280 | — | K3030-12-L/R03 |
| 5b | Concealed stay arm “First Tilt” PVC, 13 mm, 480-800, left / right | 480-800 | — | A3005-02-L/R03 |
| | Concealed stay arm “First Tilt” PVC, 13 mm, 801-1040, left / right | 801-1040 | — | A3005-03-L/R03 |
| | Concealed stay arm “First Tilt” PVC, 13 mm, 1041-1280, left / right | 1041-1280 | — | A3005-04-L/R03 |
| | Concealed stay arm “First Tilt” PVC, 9 mm, 480-800, left / right | 480-800 | — | A3006-02-L/R03 |
| | Concealed stay arm “First Tilt” PVC, 9 mm, 801-1040, left / right | 801-1040 | — | A3006-03-L/R03 |
| | Concealed stay arm “First Tilt” PVC, 9 mm, 1041-1280, left / right | 1041-1280 | — | A3006-04-L/R03 |
| 6 | Middle lock L=400, 2 ML | 600-1000 | 600-1000 | K4004-04-N03 |
| | Middle lock L=650, 2 ML | 850-1250 | 850-1250 | K4004-06-N03 |
| | Middle lock L=720, 2 ML | 920-1320 | 920-1320 | K4004-07-N03 |
| | Middle lock L=820, 2 ML | 1251-1430 | 1251-1430 | K4004-08-N03 |
| | Middle lock L=1130, 3 ML | — | 1251-1730 | K4004-11-N03 |
| 6a | Middle lock L=400, 1 MR + 1 ML | 600-1000 | 600-1000 | K4008-04-N03 |
| | Middle lock L=650, 1 MR + 1 ML | 850-1250 | 850-1250 | K4008-06-N03 |
| | Middle lock L=820, 1 MR + 1 ML | 1251-1430 | 1251-1430 | K4008-08-N03 |
| | Middle lock L=1130, 1 MR + 2 ML | — | 1251-1730 | K4008-11-N03 |
| 7 | Middle lock extension, 1 ML, 480 mm | — | 1710-2210 | K4005-05-N03 |
| | Middle lock extension, 1 ML, 680 mm | — | 2211-2390 | K4005-07-N03 |
| 10 | Locking plate | — | — | * |
| 10a | Locking plate safety | — | — | * |
| 10c | Tilt locking plate “First Tilt”, left / right | — | — | * |
| 11 | Lifting plate | — | 751-2390 | * |
| 12 | Wrong operation safety device with sash lifter | — | 751-2390 | A7001-00-N03 |


Tilt and turn set “First Tilt”*

Hardware overviews

STRAIGHT CUT

| Nº | Description | Application range by width | Application range by height | Part No. |
|-----|--|-------------------------------|--------------------------------|--------------|
| 13 | Concealed bottom hinge PVC, 9 mm, left | — | — | A5025-09-L03 |
| | Concealed bottom hinge PVC, 9 mm, right | — | — | A5025-09-R03 |
| | Concealed bottom hinge PVC, 13 mm, left | — | — | A5025-13-L03 |
| | Concealed bottom hinge PVC, 13 mm, right | — | — | A5025-13-R03 |
| 14 | Concealed bottom sash hinge, 9 mm, left | — | — | A5027-09-L03 |
| | Concealed bottom sash hinge, 9 mm, right | — | — | A5027-09-R03 |
| | Concealed bottom sash hinge, 13 mm, left | — | — | A5027-13-L03 |
| | Concealed bottom sash hinge, 13 mm, right | — | — | A5027-13-R03 |
| 20 | Concealed hinge packer, 13 mm, left | — | — | A7*-13-L03 |
| | Concealed hinge packer, 13 mm, right | — | — | A7*-13-R03 |
| 21 | Sash turning restrictor | — | — | A7110-00-N03 |
| 26 | Extension lock 275 mm, 1 ML | — | — | K4003-02-N03 |
| 27 | Locking plate, integrated slit | — | — | * |
| 28 | Locking plate for integrated slit (frame part) | — | — | * |
| 29 | Balcony catch | — | — | A7184-13-N03 |
| 29b | Balcony locking pin | — | — | A7207-00-N03 |

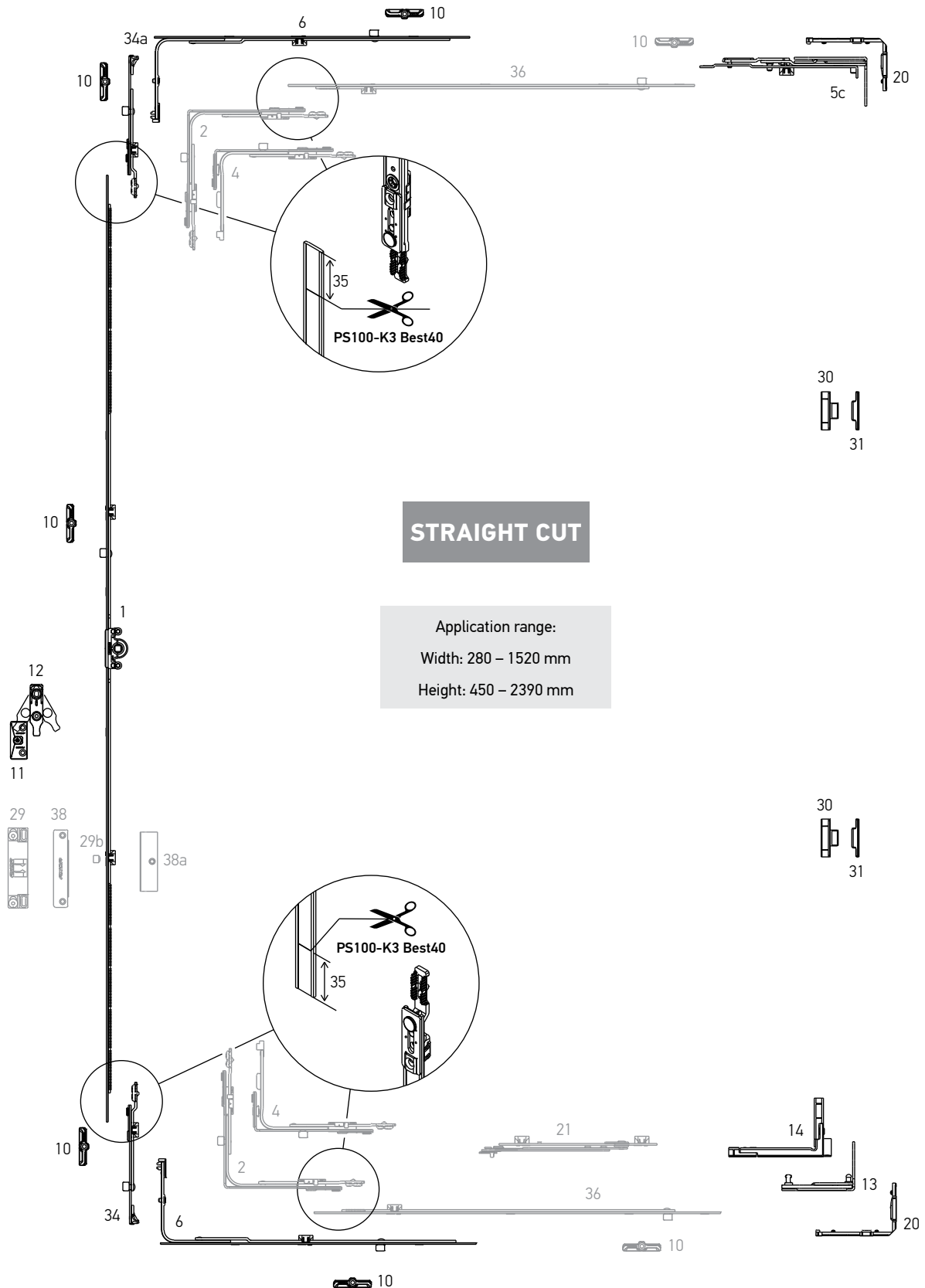
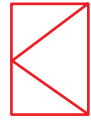
* – see the section “Profile-dependent elements” of catalogues KOMFORT LINE K-3 Smart & Quick or ELITE+



Turn set

Hardware overviews

Turn set. Straight cut.





Turn set

Hardware overviews

STRAIGHT CUT

| Nº | Description | Application range by width | Application range by height | Part No. |
|-----|--|-------------------------------|--------------------------------|----------------|
| 1 | Gear variable 0, L=320, 450-550 | — | 450-550 | K1001-02-N03 |
| | Gear variable 1, L=520, 551-750 | — | 551-750 | K1001-04-N03 |
| | Gear variable 2, L=1000, 751-1230, 1 ML | — | 751-1230 | K1001-09-N03 |
| | Gear variable 3, L=1200, 950-1430, 1 ML | — | 950-1430 | K1001-11-N03 |
| | Gear variable 4, L=1480, 1231-1710, 2 ML | — | 1231-1710 | K1001-14-N03 |
| | Gear variable 5, L=1680, 1431-1910, 2 ML | — | 1431-1910 | K1001-16-N03 |
| | Gear variable 6, L=2160, 1911-2390, 3 ML | — | 1911-2390 | K1001-21-N03 |
| 2 | Corner transmission, 1 ML, 150x150 | 330-1280 | 450-2390 | K2001-00-N03 |
| 4 | Narrow corner transmission, 1 ML, 50x150 | 280-1280 | 450-2390 | K2003-00-N03 |
| | | 330-520 | 290-350 | |
| 5c | Concealed side hung top hinge PVC, 9 mm, left / right | — | — | A5023-09-L/R03 |
| | Concealed side hung top hinge PVC, 13 mm, left / right | — | — | A5023-13-L/R03 |
| 6 | Middle lock L=400, 1 ML | 600-1000 | — | K4001-04-N03 |
| | Middle lock L=650, 1 ML | 850-1250 | — | K4001-06-N03 |
| 10 | Locking plate | — | — | * |
| 11 | Lifting plate | — | 751-2390 | * |
| 12 | Wrong operation safety device with sash lifter | — | 751-2390 | A7001-00-N03 |
| 13 | Concealed bottom hinge PVC, 9 mm, left / right | — | — | A5025-09-L/R03 |
| | Concealed bottom hinge PVC, 13 mm, left / right | — | — | A5025-13-L/R03 |
| 14 | Concealed bottom sash hinge, 9 mm, left / right | — | — | A5027-09-L/R03 |
| | Concealed bottom sash hinge, 13 mm, left / right | — | — | A5027-13-L/R03 |
| 20 | Concealed hinge packer, 13 mm, left / right | — | — | A7*-13-L/R03 |
| 21 | Sash turning restrictor | — | — | A7110-00-N03 |
| 22 | Concealed side hung top hinge | — | — | K5002-00-N03 |
| 29 | Balcony catch | — | — | A7184-13-N03 |
| 29b | Balcony locking pin | — | — | A7207-00-N03 |
| 30 | Concealed middle hinge, sash part | — | — | A7056-00-N03 |
| 31 | Concealed middle hinge, frame part | — | — | A7057-**-N03 |
| 34 | Bottom extension for turn sash 90° | — | — | K4007-00-N03 |
| 34a | Bottom extension for turn sash 180° | — | — | K4011-00-N03 |
| 36 | Extension lock for corner transmission 480 mm, 1 ML | — | — | K4010-00-N03 |
| | Extension lock for corner transmission 680 mm, 1 ML | — | — | K4010-07-N03 |
| | Extension lock for corner transmission 880 mm, 2 ML | — | — | K4010-09-N03 |
| | Extension lock for corner transmission 480 mm, 1 MR | — | — | K4030-00-N03 |
| 38 | Magnetic balcony catch, frame part | — | — | A7053-00-N03 |
| 38a | Magnetic balcony catch, sash part | — | — | A7055-**-N03 |

* – see the section “Profile-dependent elements” of catalogues KOMFORT LINE K-3 Smart & Quick or ELITE+

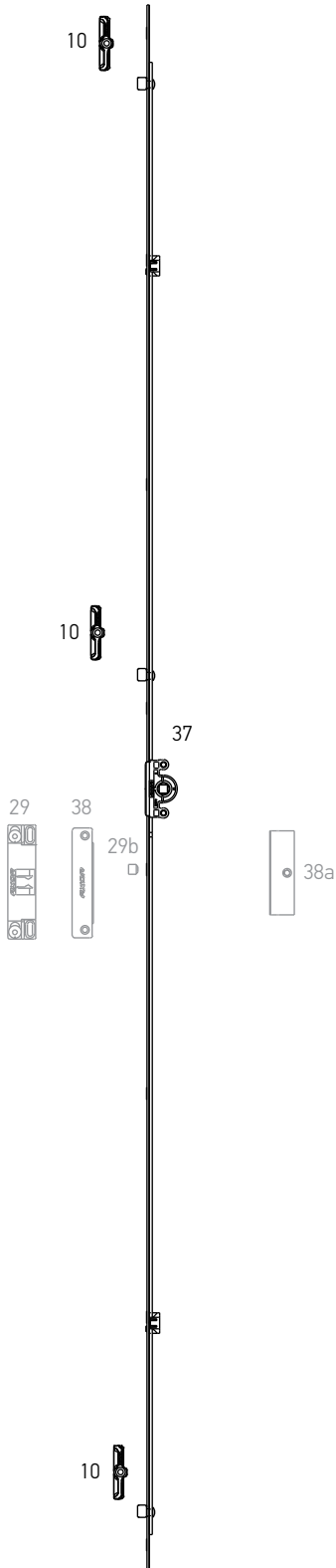
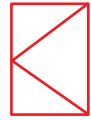
** – according to displacement axis of sash groove (9 mm, 10 mm, 13 mm, 14 mm)



Turn set

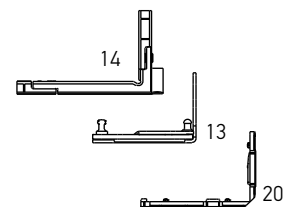
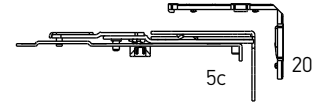
Hardware overviews

Turn set. Straight cut.



STRAIGHT CUT

Application range:
Width: 280 – 700 mm
Height: 300 – 2400 mm





Turn set

Hardware overviews

STRAIGHT CUT

| Nº | Description | Application range by width | Application range by height | Part No. |
|-----|---|----------------------------|-----------------------------|--------------|
| 5c | Concealed side hung top hinge PVC, 9 mm, left | — | — | A5023-09-L03 |
| | Concealed side hung top hinge PVC, 9 mm, right | — | — | A5023-09-R03 |
| | Concealed side hung top hinge PVC, 13 mm, left | — | — | A5023-13-L03 |
| | Concealed side hung top hinge PVC, 13 mm, right | — | — | A5023-13-R03 |
| 10 | Locking plate | — | — | * |
| 13 | Concealed bottom hinge PVC, 9 mm, left | — | — | A5025-09-L03 |
| | Concealed bottom hinge PVC, 9 mm, right | — | — | A5025-09-R03 |
| | Concealed bottom hinge PVC, 13 mm, left | — | — | A5025-13-L03 |
| | Concealed bottom hinge PVC, 13 mm, right | — | — | A5025-13-R03 |
| 14 | Concealed bottom sash hinge, 9 mm, left | — | — | A5027-09-L03 |
| | Concealed bottom sash hinge, 9 mm, right | — | — | A5027-09-R03 |
| | Concealed bottom sash hinge, 13 mm, left | — | — | A5027-13-L03 |
| | Concealed bottom sash hinge, 13 mm, right | — | — | A5027-13-R03 |
| 20 | Concealed hinge packer, 13 mm, left | — | — | A7*-13-L03 |
| | Concealed hinge packer, 13 mm, right | — | — | A7*-13-R03 |
| 21 | Sash turning restrictor | — | — | A7110-00-N03 |
| 29 | Balcony catch | — | — | A7184-13-N03 |
| 29b | Balcony locking pin | — | — | A7207-00-N03 |
| 30 | Concealed middle hinge, sash part | — | — | A7056-00-N03 |
| 31 | Concealed middle hinge, frame part | — | — | A7057-**-N03 |
| 37 | Gear variable 1 L=300, 300 - 500, 2 ML | 280-700 | 300-500 | K1003-03-N03 |
| | Gear variable 2 L=400, 401 - 600, 2 ML | | 401-600 | K1003-04-N03 |
| | Gear variable 3 L=600, 601 - 800, 2 ML | | 601-800 | K1003-06-N03 |
| | Gear variable 4 L=800, 801 - 1000, 2 ML | | 801-1000 | K1003-08-N03 |
| | Gear variable 5 L=1000, 1001 - 1200, 3 ML | | 1001-1200 | K1003-10-N03 |
| | Gear variable 6 L=1200, 1201 - 1400, 3 ML | | 1201-1400 | K1003-12-N03 |
| | Gear variable 7 L=1400, 1401 - 1600, 3 ML | | 1401-1600 | K1003-14-N03 |
| | Gear variable 8 L=1600, 1601 - 1800, 4ML | | 1601-1800 | K1003-16-N03 |
| | Gear variable 9 L=1800, 1801 - 2000, 4ML | | 1801-2000 | K1003-18-N03 |
| | Gear variable 10 L=2000, 2001 - 2200, 4ML | | 2001-2200 | K1003-20-N03 |
| | Gear variable 11 L=2200, 2201 - 2400, 4ML | | 2201-2400 | K1003-22-N03 |
| 38 | Magnetic balcony catch, frame part | — | — | A7053-00-N03 |
| 38a | Magnetic balcony catch, sash part | — | — | A7055-**-N03 |

* – see the section “Profile-dependent elements” of catalogues KOMFORT LINE K-3 Smart & Quick or ELITE+

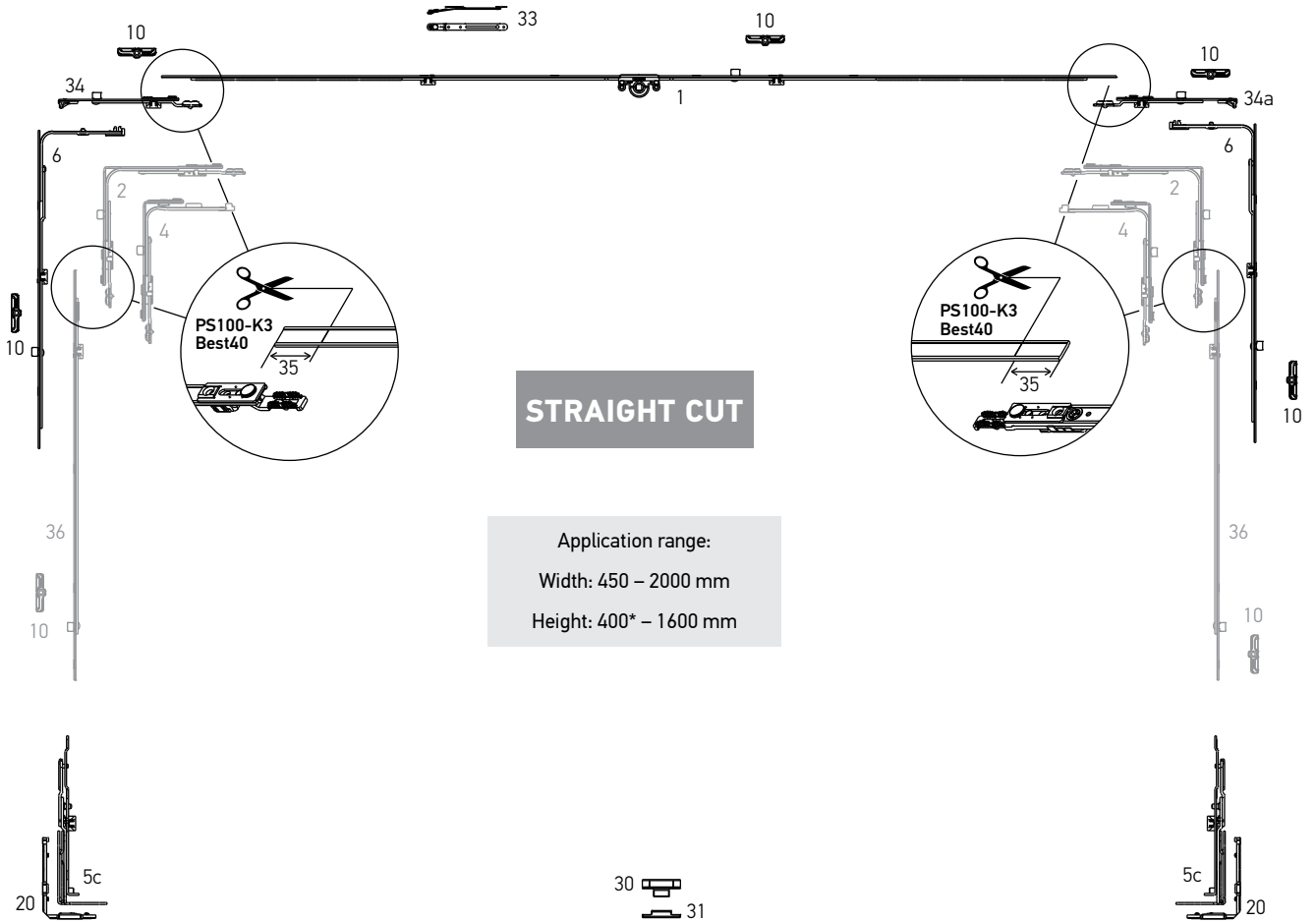
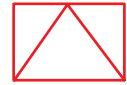
** – according to displacement axis of sash groove (9 mm, 10 mm, 13 mm, 14 mm)



Tilt set

Hardware overviews

Tilt set. Straight cut.



* - without using of middle lock


Tilt set

Hardware overviews

STRAIGHT CUT

| Nº | Description | Application range by width | Application range by height | Part No. |
|-----|---|-------------------------------|--------------------------------|--------------|
| 1 | Gear variable 0, L=320, 450-550 | — | 450-550 | K1001-02-N03 |
| | Gear variable 1, L=520, 551-750 | — | 551-750 | K1001-04-N03 |
| | Gear variable 2, L=1000, 751-1230, 1 ML | — | 751-1230 | K1001-09-N03 |
| | Gear variable 3, L=1200, 950-1430, 1 ML | — | 950-1430 | K1001-11-N03 |
| | Gear variable 4, L=1480, 1231-1710, 2 ML | — | 1231-1710 | K1001-14-N03 |
| | Gear variable 5, L=1680, 1431-1910, 2 ML | — | 1431-1910 | K1001-16-N03 |
| | Gear variable 6, L=2160, 1911-2390, 3 ML | — | 1911-2390 | K1001-21-N03 |
| 2 | Corner transmission, 1 ML, 150x150 | 330-1280 | 450-2390 | K2001-00-N03 |
| 4 | Narrow corner transmission, 1 ML, 50x150 | 280-1280 | 450-2390 | K2003-00-N03 |
| | | 330-520 | 290-350 | |
| 5c | Concealed side hung top hinge PVC, 9 mm, left | — | — | A5023-09-L03 |
| | Concealed side hung top hinge PVC, 9 mm, right | — | — | A5023-09-R03 |
| | Concealed side hung top hinge PVC, 13 mm, left | — | — | A5023-13-L03 |
| | Concealed side hung top hinge PVC, 13 mm, right | — | — | A5023-13-R03 |
| 6 | Middle lock L=400, 1 ML | — | 600-1000 | K4001-04-N03 |
| | Middle lock L=650, 1 ML | — | 850-1250 | K4001-06-N03 |
| | Middle lock L=720, 1 ML | — | 920-1320 | K4001-07-N03 |
| | Middle lock L=820, 1 ML | — | 1251-1430 | K4001-08-N03 |
| | Middle lock L=1130, 2 ML | — | 1251-1730 | K4001-11-N03 |
| 10 | Locking plate | — | — | * |
| 20 | Concealed hinge packer, 13 mm, left | — | — | A7*-13-L03 |
| | Concealed hinge packer, 13 mm, right | — | — | A7*-13-R03 |
| 30 | Concealed middle hinge, sash part | — | — | A7056-00-N03 |
| 31 | Concealed middle hinge, frame part | — | — | A7057-**-N03 |
| 33 | Tilt stay arm | — | — | A7107-00-N03 |
| | Tilt stay arm | — | — | A7017-00-N03 |
| 34 | Bottom extension for turn sash 90° | — | — | K4007-00-N03 |
| 34a | Bottom extension for turn sash 180° | — | — | K4011-00-N03 |
| 36 | Extension lock for corner transmission 480 mm, 1 ML | — | — | K4010-00-N03 |
| | Extension lock for corner transmission 680 mm, 1 ML | — | — | K4010-07-N03 |
| | Extension lock for corner transmission 880 mm, 2 ML | — | — | K4010-09-N03 |
| | Extension lock for corner transmission 480 mm, 1 MR | — | — | K4030-00-N03 |

* – see the section “Profile-dependent elements” of catalogues KOMFORT LINE K-3 Smart & Quick or ELITE+

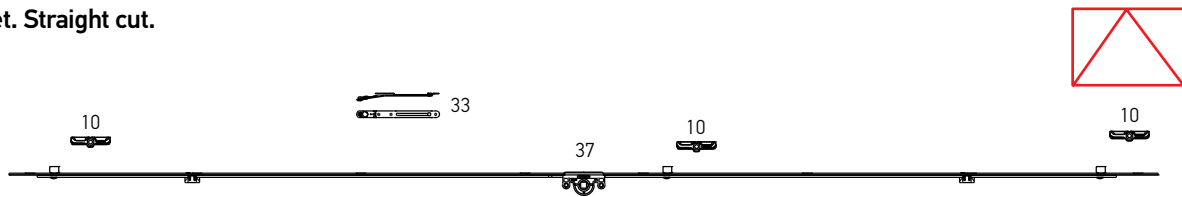
** – according to displacement axis of sash groove (9 mm, 10 mm, 13 mm, 14 mm)



Tilt set

Hardware overviews

Tilt set. Straight cut.

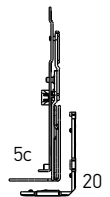


STRAIGHT CUT

Application range:

Width: 300 – 2000 mm

Height: 280 – 700 mm



| Nº | Description | Application range by width | Application range by height | Part No. |
|--|--|----------------------------|-----------------------------|----------------|
| 5c | Concealed side hung top hinge PVC, 9 mm, left / right | — | — | A5023-09-L/R03 |
| | Concealed side hung top hinge PVC, 13 mm, left / right | — | — | A5023-13-L/R03 |
| 10 | Locking plate | — | — | * |
| 20 | Concealed hinge packer, 13 mm, left / right | — | — | A7*-13-L/R03 |
| 30 | Concealed middle hinge, sash part | — | — | A7056-00-N03 |
| 31 | Concealed middle hinge, frame part | — | — | A7057-* -N03 |
| 33 | Tilt stay arm | — | — | A7107-00-N03 |
| | Tilt stay arm | — | — | A7017-00-N03 |
| 37 | Gear variable 1 L=300, 300 - 500, 2 ML | 300-500 | 280-700 | K1003-03-N03 |
| | Gear variable 2 L=400, 401 - 600, 2 ML | 401-600 | | K1003-04-N03 |
| | Gear variable 3 L=600, 601 - 800, 2 ML | 601-800 | | K1003-06-N03 |
| | Gear variable 4 L=800, 801 - 1000, 2 ML | 801-1000 | | K1003-08-N03 |
| | Gear variable 5 L=1000, 1001 - 1200, 3 ML | 1001-1200 | | K1003-10-N03 |
| | Gear variable 6 L=1200, 1201 - 1400, 3 ML | 1201-1400 | | K1003-12-N03 |
| | Gear variable 7 L=1400, 1401 - 1600, 3 ML | 1401-1600 | | K1003-14-N03 |
| | Gear variable 8 L=1600, 1601 - 1800, 4ML | 1601-1800 | | K1003-16-N03 |
| Gear variable 9 L=1800, 1801 - 2000, 4ML | 1801-2000 | K1003-18-N03 | | |

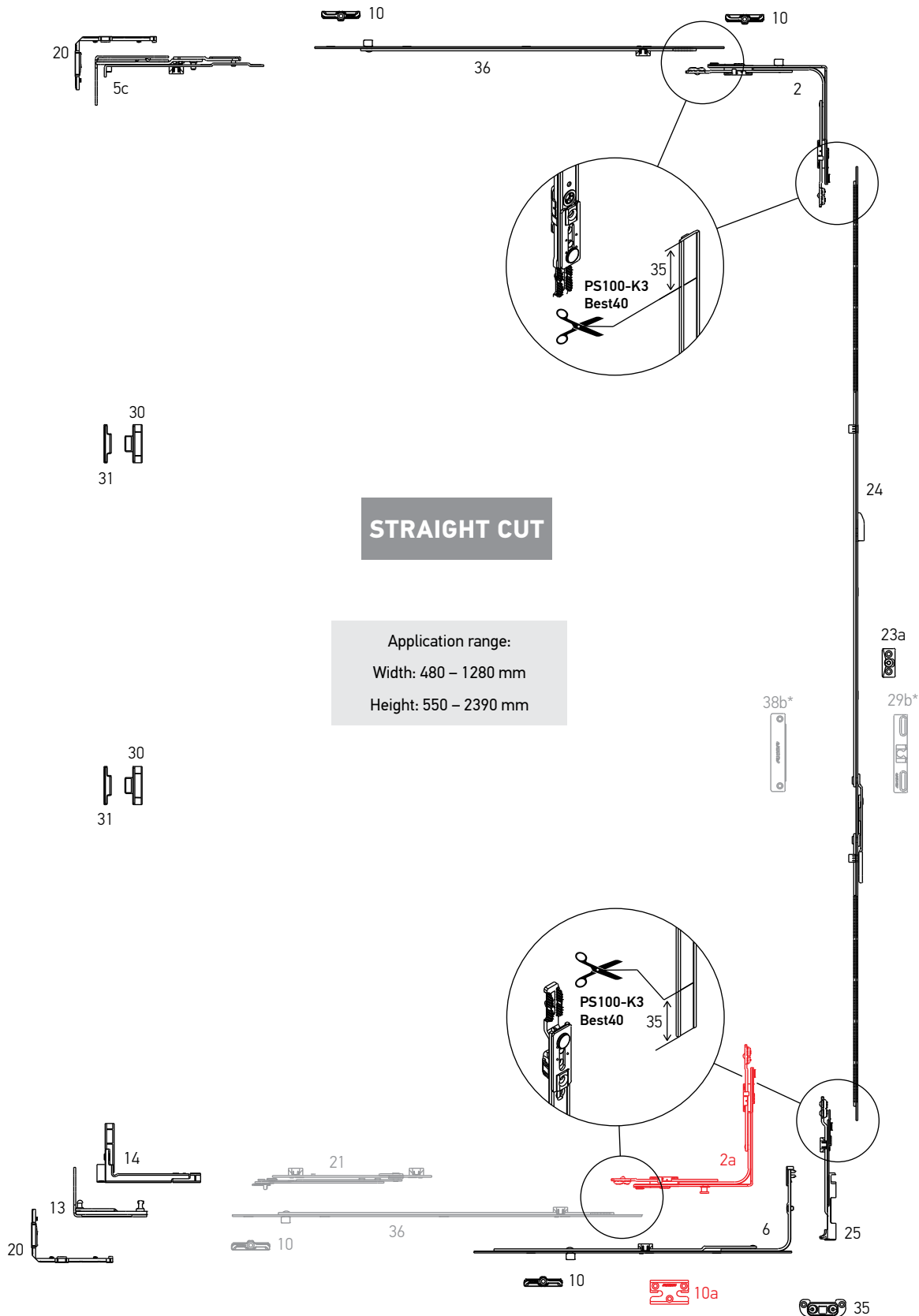
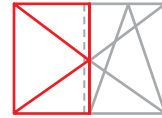
* – see the section “Profile-dependent elements” of catalogues KOMFORT LINE K-3 Smart & Quick or ELITE+



Double sash

Hardware overviews

Secondary sash of double-sash window. Straight cut.



STRAIGHT CUT

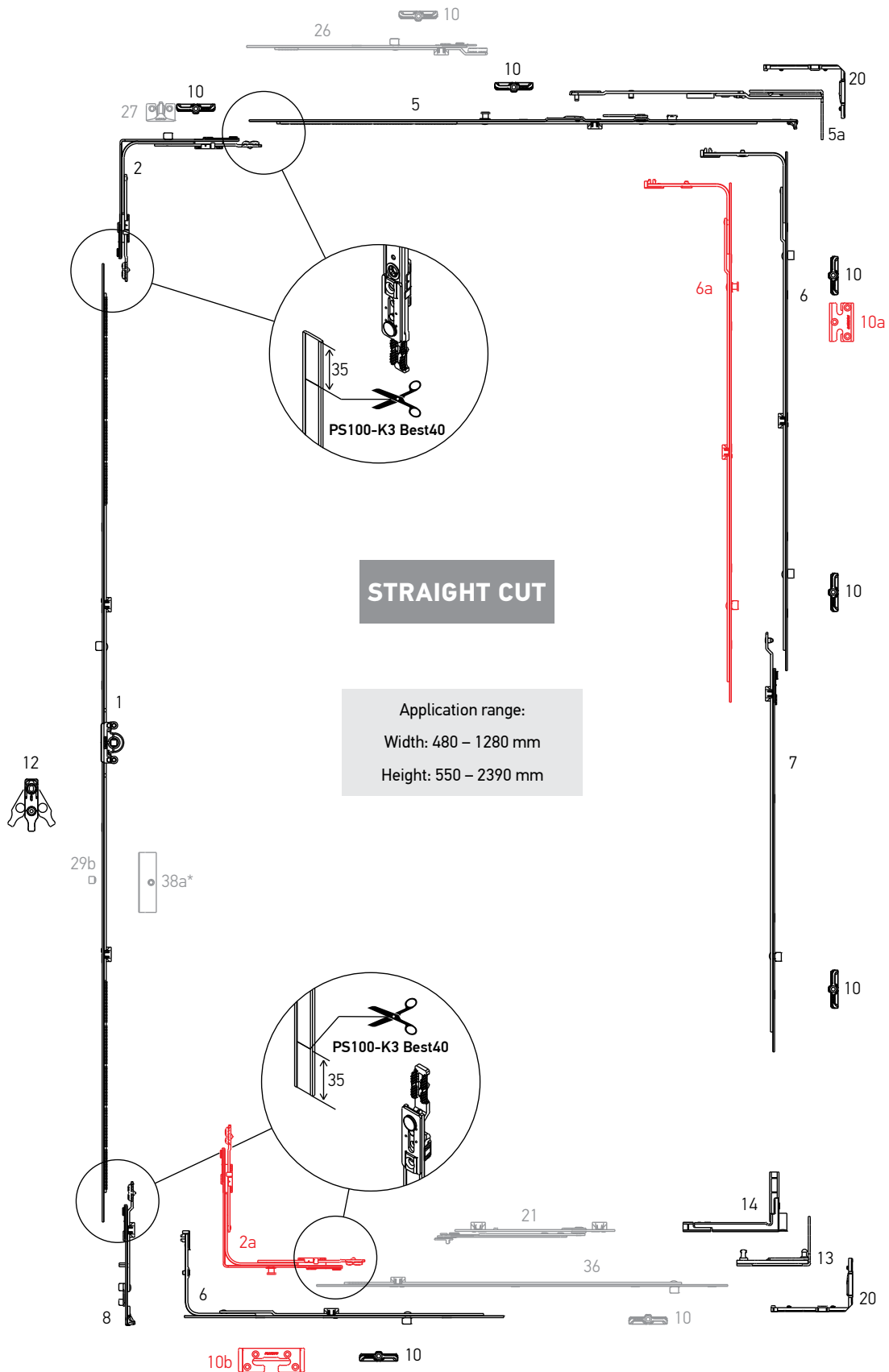
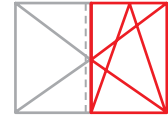
Application range:
Width: 480 – 1280 mm
Height: 550 – 2390 mm



Double sash

Hardware overviews

Main sash. Straight cut.





Double sash

Hardware overviews

STRAIGHT CUT

| Nº | Description | Application range by width | Application range by height | Part No. |
|-----|--|----------------------------|-----------------------------|----------------|
| 1 | Gear variable 1, L=520, 551-750 | — | 551-750 | K1001-04-N03 |
| | Gear variable 2, L=1000, 751-1230, 1 ML | — | 751-1230 | K1001-09-N03 |
| | Gear variable 3, L=1200, 950-1430, 1 ML | — | 950-1430 | K1001-11-N03 |
| | Gear variable 5, L=1680, 1431-1910, 2 ML | — | 1431-1910 | K1001-16-N03 |
| | Gear variable 6, L=2160, 1911-2390, 3 ML | — | 1911-2390 | K1001-21-N03 |
| 2 | Corner transmission, 1 ML, 150x150 | 480-1280 | 450-2390 | K2001-00-N03 |
| 2a | Corner transmission, 1 MR, 150x150 | 480-1280 | 450-2390 | K2005-00-N03 |
| 5 | Stay arm, sash part 1, L=565, 480-680, left / right | 480-680 | — | K3030-06-L/R03 |
| | Stay arm, sash part 2, L=685, 600-800, left / right | 601-800 | — | K3030-07-L/R03 |
| | Stay arm, sash part 3, L=925, 801-1040, left / right | 801-1040 | — | K3030-09-L/R03 |
| | Stay arm, sash part 4, L=1165, 1041-1280, left / right | 1041-1280 | — | K3030-12-L/R03 |
| 5a | Concealed stay arm PVC, 13 mm, 480-800, left / right | 480-800 | — | A3001-02-L/R03 |
| | Concealed stay arm PVC, 13 mm, 801-1040, left / right | 801-1040 | — | A3001-03-L/R03 |
| | Concealed stay arm PVC, 13 mm, 1041-1280, left / right | 1041-1280 | — | A3001-04-L/R03 |
| | Concealed stay arm PVC, 9 mm, 480-800, left / right | 480-800 | — | A3002-02-L/R03 |
| | Concealed stay arm PVC, 9 mm, 801-1040, left / right | 801-1040 | — | A3002-03-L/R03 |
| | Concealed stay arm PVC, 9 mm, 1041-1280, left / right | 1041-1280 | — | A3002-04-L/R03 |
| 5c | Concealed side hung top hinge PVC, 9 mm, left | — | — | A5023-09-L03 |
| | Concealed side hung top hinge PVC, 9 mm, right | — | — | A5023-09-R03 |
| | Concealed side hung top hinge PVC, 13 mm, left | — | — | A5023-13-L03 |
| | Concealed side hung top hinge PVC, 13 mm, right | — | — | A5023-13-R03 |
| 6 | Middle lock L=400, 2 ML | 600-1000 | 600-1000 | K4004-04-N03 |
| | Middle lock L=650, 2 ML | 850-1250 | 850-1250 | K4004-06-N03 |
| | Middle lock L=720, 2 ML | 920-1320 | 920-1320 | K4004-07-N03 |
| | Middle lock L=820, 2 ML | 1251-1430 | 1251-1430 | K4004-08-N03 |
| | Middle lock L=1130, 3 ML | — | 1251-1730 | K4004-11-N03 |
| 6a | Middle lock L=400, 1 MR + 1 ML | 600-1000 | 600-1000 | K4008-04-N03 |
| | Middle lock L=650, 1 MR + 1 ML | 850-1250 | 850-1250 | K4008-06-N03 |
| | Middle lock L=820, 1 MR + 1 ML | 1251-1430 | 1251-1430 | K4008-08-N03 |
| | Middle lock L=1130, 1 MR + 2 ML | — | 1251-1730 | K4008-11-N03 |
| 7 | Middle lock extension, 1 ML, 480 mm | — | 1710-2210 | K4005-05-N03 |
| | Middle lock extension, 1 ML, 680 mm | — | 2231-2390 | K4005-07-N03 |
| 8 | Bottom extension | — | 450-800 | K4009-00-N03 |
| | | — | 801-2390 | K4002-00-N03 |
| 10 | Locking plate | — | — | * |
| 10a | Locking plate safety | — | — | * |
| 10b | Tilt locking plate safety | — | — | * |
| 12 | Wrong operation safety device with sash lifter | — | 751-2390 | A7001-00-N03 |



Double sash

Hardware overviews

STRAIGHT CUT

| N° | Description | Application range by width | Application range by height | Part No. |
|-----|---|-------------------------------|--------------------------------|--------------|
| 13 | Concealed bottom hinge PVC, 9 mm, left | — | — | A5025-09-L03 |
| | Concealed bottom hinge PVC, 9 mm, right | — | — | A5025-09-R03 |
| | Concealed bottom hinge PVC, 13 mm, left | — | — | A5025-13-L03 |
| | Concealed bottom hinge PVC, 13 mm, right | — | — | A5025-13-R03 |
| 14 | Concealed bottom sash hinge, 9 mm, left | — | — | A5027-09-L03 |
| | Concealed bottom sash hinge, 9 mm, right | — | — | A5027-09-R03 |
| | Concealed bottom sash hinge, 13 mm, left | — | — | A5027-13-L03 |
| | Concealed bottom sash hinge, 13 mm, right | — | — | A5027-13-R03 |
| 20 | Concealed hinge packer, 13 mm, left | — | — | A7*-13-L03 |
| | Concealed hinge packer, 13 mm, right | — | — | A7*-13-R03 |
| 21 | Sash turning restrictor | — | — | A7110-00-N03 |
| 23a | Lifting plate for double sash, sash part | — | — | A6001-00-N03 |
| 24 | Double-sash gear 1 L=520, 551-750 | — | 551-750 | K1002-04-N03 |
| | Double-sash gear 2 L=720, 751-950 | — | 751-950 | K1002-06-N03 |
| | Double-sash gear 3 L=1200, 951-1430 | — | 951-1430 | K1002-11-N03 |
| | Double-sash gear 4 L=1680, 1431-1910 | — | 1431-1910 | K1002-16-N03 |
| | Double-sash gear 5 L=2160, 1911-2390 | — | 1911-2390 | K1002-21-N03 |
| 25 | Shoot bolt (bottom) | — | — | K4006-00-N03 |
| 26 | Extension lock 275 mm, 1 ML | — | — | K4003-02-N03 |
| 27 | Locking plate, integrated slit | — | — | * |
| 29a | Balcony catch for double-sash gear | — | 1911-2390 | A7047-00-N03 |
| 29b | Balcony locking pin | — | — | A7207-00-N03 |
| 30 | Concealed middle hinge, sash part | — | — | A7056-00-N03 |
| 31 | Concealed middle hinge, frame part | — | — | A7057-**-N03 |
| 35 | Locking plate adjustable for shoot bolt | — | — | * |
| 36 | Extension lock for corner transmission 480 mm, 1 ML | — | — | K4010-00-N03 |
| | Extension lock for corner transmission 680 mm, 1 ML | — | — | K4010-07-N03 |
| | Extension lock for corner transmission 880 mm, 2 ML | — | — | K4010-09-N03 |
| | Extension lock for corner transmission 480 mm, 1 MR | — | — | K4030-00-N03 |
| 38a | Magnetic balcony catch, sash part | — | — | A7055-**-N03 |
| 38b | Magnetic balcony catch for double-sash gear, frame part | — | — | A7054-00-N03 |

* – see the section "Profile-dependent elements" of catalogues KOMFORT LINE K-3 Smart & Quick or ELITE+

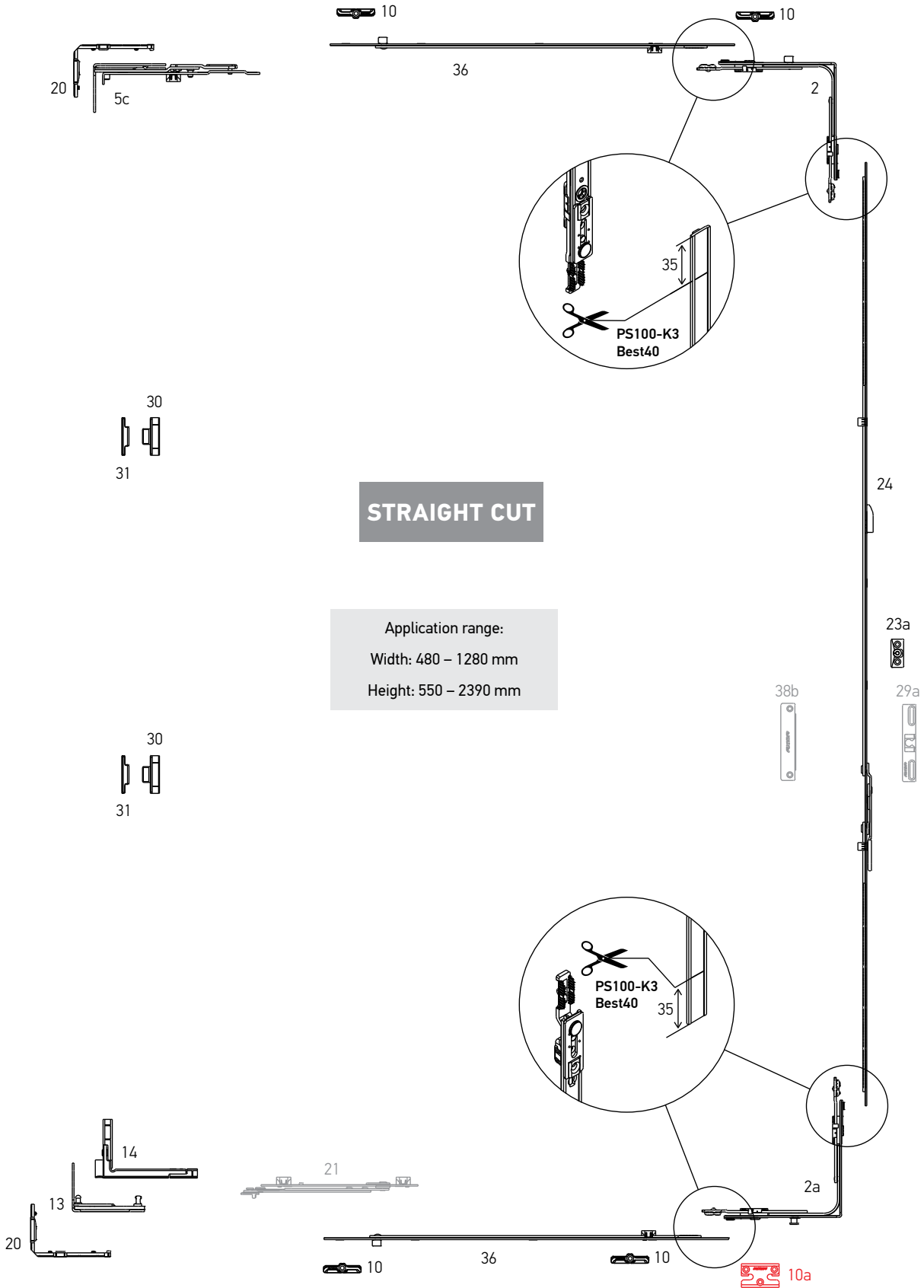
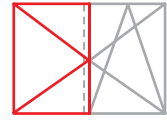
** – according to displacement axis of sash groove (9 mm, 10 mm, 13 mm, 14 mm)



Double sash "First Tilt"

Hardware overviews

Secondary sash of double-sash window "First Tilt". Straight cut.

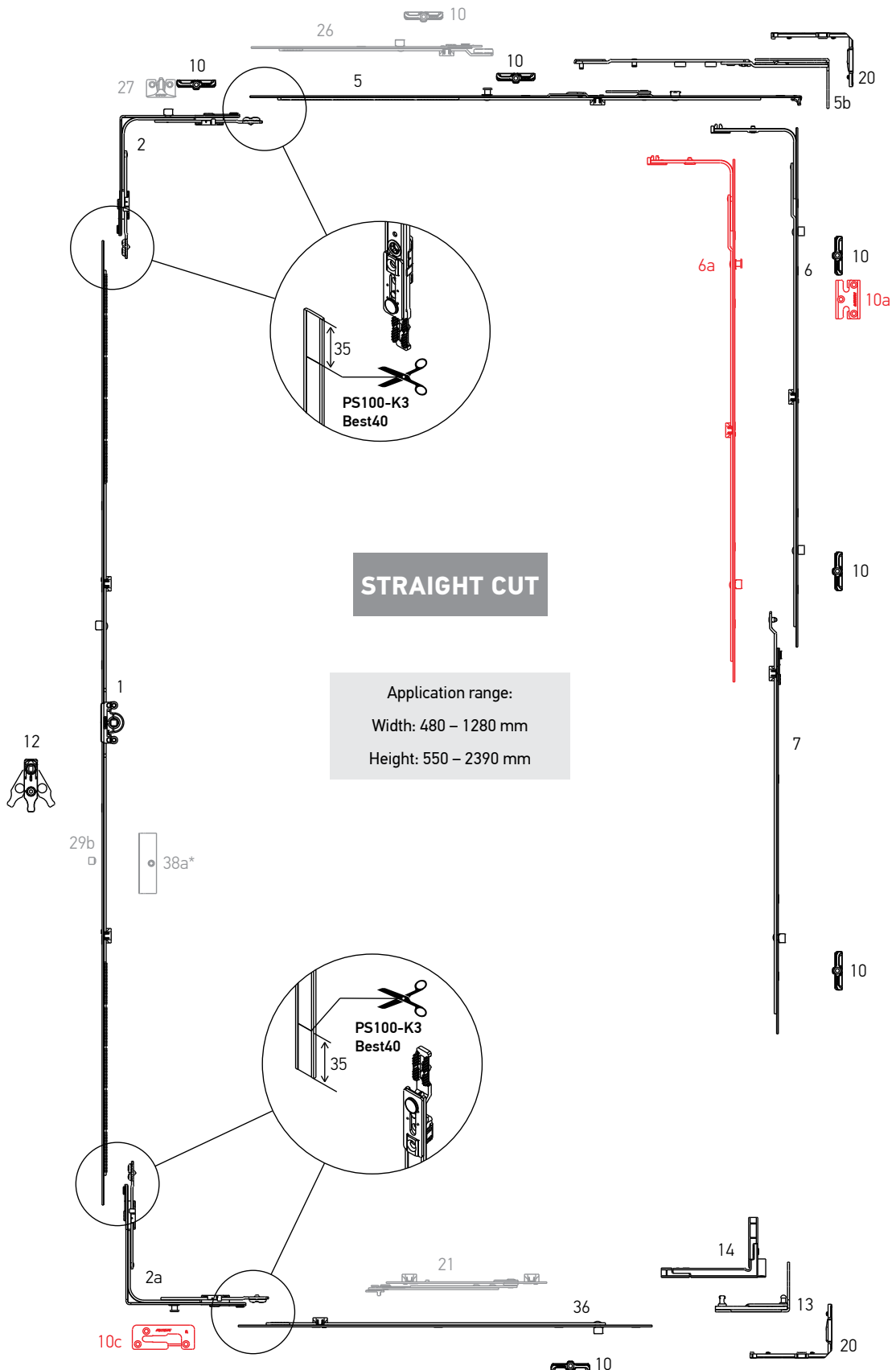
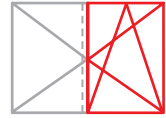




Double sash "First Tilt"

Hardware overviews

Main sash "First Tilt". Straight cut.



STRAIGHT CUT

Application range:
Width: 480 - 1280 mm
Height: 550 - 2390 mm



Double sash "First Tilt"

Hardware overviews

STRAIGHT CUT

| Nº | Description | Application range by width | Application range by height | Part No. |
|-----|---|----------------------------|-----------------------------|----------------|
| 1 | Gear variable 1, L=520, 551-750 | — | 551-750 | K1001-04-N03 |
| | Gear variable 2, L=1000, 751-1230, 1 ML | — | 751-1230 | K1001-09-N03 |
| | Gear variable 3, L=1200, 950-1430, 1 ML | — | 950-1430 | K1001-11-N03 |
| | Gear variable 5, L=1680, 1431-1910, 2 ML | — | 1431-1910 | K1001-16-N03 |
| | Gear variable 6, L=2160, 1911-2390, 3 ML | — | 1911-2390 | K1001-21-N03 |
| 2 | Corner transmission, 1 ML, 150x150 | 480-1280 | 450-2390 | K2001-00-N03 |
| 2a | Corner transmission, 1 MR, 150x150 | 480-1280 | 450-2390 | K2005-00-N03 |
| 5 | Stay arm, sash part 1, L=565, 480-680, left / right | 480-680 | — | K3030-06-L/R03 |
| | Stay arm, sash part 2, L=685, 600-800, left / right | 601-800 | — | K3030-07-L/R03 |
| | Stay arm, sash part 3, L=925, 801-1040, left / right | 801-1040 | — | K3030-09-L/R03 |
| | Stay arm, sash part 4, L=1165, 1041-1280, left / right | 1041-1280 | — | K3030-12-L/R03 |
| 5b | Concealed stay arm "First Tilt" PVC, 13 mm, 480-800, left / right | 480-800 | — | A3005-02-L/R03 |
| | Concealed stay arm "First Tilt" PVC, 13 mm, 801-1040, left / right | 801-1040 | — | A3005-03-L/R03 |
| | Concealed stay arm "First Tilt" PVC, 13 mm, 1041-1280, left / right | 1041-1280 | — | A3005-04-L/R03 |
| | Concealed stay arm "First Tilt" PVC, 9 mm, 480-800, left / right | 480-800 | — | A3006-02-L/R03 |
| | Concealed stay arm "First Tilt" PVC, 9 mm, 801-1040, left / right | 801-1040 | — | A3006-03-L/R03 |
| | Concealed stay arm "First Tilt" PVC, 9 mm, 1041-1280, left / right | 1041-1280 | — | A3006-04-L/R03 |
| 5c | Concealed side hung top hinge PVC, 9 mm, left | — | — | A5023-09-L03 |
| | Concealed side hung top hinge PVC, 9 mm, right | — | — | A5023-09-R03 |
| | Concealed side hung top hinge PVC, 13 mm, left | — | — | A5023-13-L03 |
| | Concealed side hung top hinge PVC, 13 mm, right | — | — | A5023-13-R03 |
| 6 | Middle lock L=400, 2 ML | 600-1000 | 600-1000 | K4004-04-N03 |
| | Middle lock L=650, 2 ML | 850-1250 | 850-1250 | K4004-06-N03 |
| | Middle lock L=720, 2 ML | 920-1320 | 920-1320 | K4004-07-N03 |
| | Middle lock L=820, 2 ML | 1251-1430 | 1251-1430 | K4004-08-N03 |
| | Middle lock L=1130, 3 ML | — | 1251-1730 | K4004-11-N03 |
| 6a | Middle lock L=400, 1 MR + 1 ML | 600-1000 | 600-1000 | K4008-04-N03 |
| | Middle lock L=650, 1 MR + 1 ML | 850-1250 | 850-1250 | K4008-06-N03 |
| | Middle lock L=820, 1 MR + 1 ML | 1251-1430 | 1251-1430 | K4008-08-N03 |
| | Middle lock L=1130, 1 MR + 2 ML | — | 1251-1730 | K4008-11-N03 |
| 7 | Middle lock extension, 1 ML, 480 mm | — | 1710-2210 | K4005-05-N03 |
| | Middle lock extension, 1 ML, 680 mm | — | 2231-2390 | K4005-07-N03 |
| 10 | Locking plate | — | — | * |
| 10a | Locking plate safety | — | — | * |
| 10c | Tilt locking plate "First Tilt", left / right | — | — | * |
| 12 | Wrong operation safety device with sash lifter | — | 751-2390 | A7001-00-N03 |
| 13 | Concealed bottom hinge PVC, 9 mm, left | — | — | A5025-09-L03 |
| | Concealed bottom hinge PVC, 9 mm, right | — | — | A5025-09-R03 |
| | Concealed bottom hinge PVC, 13 mm, left | — | — | A5025-13-L03 |
| | Concealed bottom hinge PVC, 13 mm, right | — | — | A5025-13-R03 |



Double sash “First Tilt”

Hardware overviews

STRAIGHT CUT

| N° | Description | Application range by width | Application range by height | Part No. |
|-----|---|----------------------------|-----------------------------|--------------|
| 14 | Concealed bottom sash hinge, 9 mm, left | — | — | A5027-09-L03 |
| | Concealed bottom sash hinge, 9 mm, right | — | — | A5027-09-R03 |
| | Concealed bottom sash hinge, 13 mm, left | — | — | A5027-13-L03 |
| | Concealed bottom sash hinge, 13 mm, right | — | — | A5027-13-R03 |
| 20 | Concealed hinge packer, 13 mm, left | — | — | A7*-13-L03 |
| | Concealed hinge packer, 13 mm, right | — | — | A7*-13-R03 |
| 21 | Sash turning restrictor | — | — | A7110-00-N03 |
| 23a | Lifting plate for double sash, sash part | — | — | A6001-00-N03 |
| 24 | Double-sash gear 1 L=520, 551-750 | — | 551-750 | K1002-04-N03 |
| | Double-sash gear 2 L=720, 751-950 | — | 751-950 | K1002-06-N03 |
| | Double-sash gear 3 L=1200, 951-1430 | — | 951-1430 | K1002-11-N03 |
| | Double-sash gear 4 L=1680, 1431-1910 | — | 1431-1910 | K1002-16-N03 |
| | Double-sash gear 5 L=2160, 1911-2390 | — | 1911-2390 | K1002-21-N03 |
| 26 | Extension lock 275 mm, 1 ML | — | — | K4003-02-N03 |
| 27 | Locking plate, integrated slit | — | — | * |
| 29a | Balcony catch for double-sash gear | — | 1911-2390 | A7047-00-N03 |
| 29b | Balcony locking pin | — | — | A7207-00-N03 |
| 30 | Concealed middle hinge, sash part | — | — | A7056-00-N03 |
| 31 | Concealed middle hinge, frame part | — | — | A7057-**-N03 |
| 36 | Extension lock for corner transmission 480 mm, 1 ML | — | — | K4010-00-N03 |
| | Extension lock for corner transmission 680 mm, 1 ML | — | — | K4010-07-N03 |
| | Extension lock for corner transmission 880 mm, 2 ML | — | — | K4010-09-N03 |
| | Extension lock for corner transmission 480 mm, 1 MR | — | — | K4030-00-N03 |
| 38a | Magnetic balcony catch, sash part | — | — | A7055-**-N03 |
| 38b | Magnetic Balcony catch for double-sash gear, frame part | — | — | A7054-00-N03 |

* – according to displacement axis of sash groove (9 mm, 10 mm, 13 mm, 14 mm)

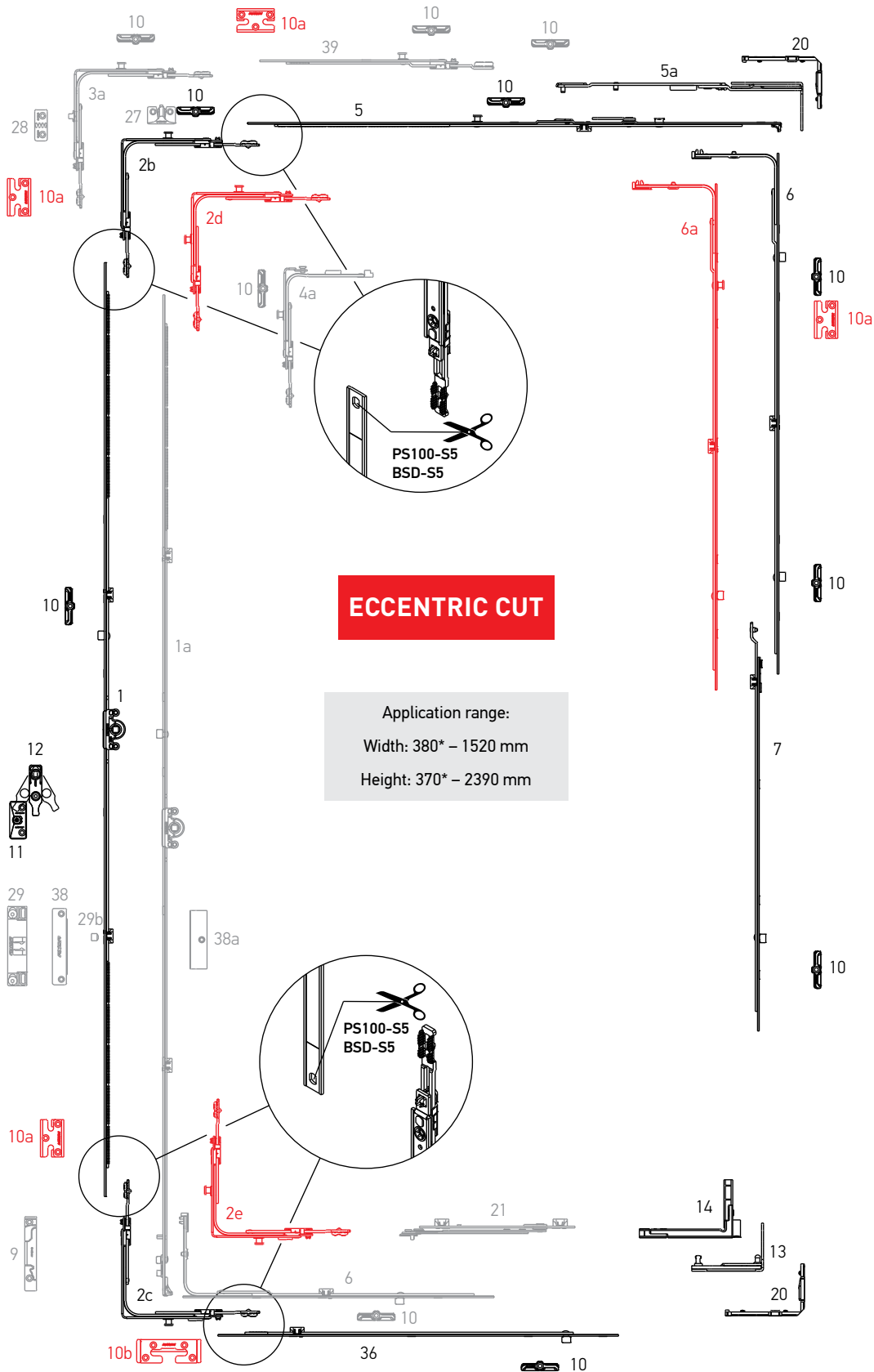
** – see the section “Profile-dependent elements” of catalogues KOMFORT LINE K-3 Smart & Quick or ELITE+



Tilt and turn set

Hardware overviews

Tilt and turn set. Eccentric cut.



* – with narrow corner transmission K2026-00-N03


Tilt and turn set
Hardware overviews
ECCENTRIC CUT

| N° | Description | Application range by width | Application range by height | Part No. |
|----|---|----------------------------|-----------------------------|----------------|
| 1 | Gear variable 0, L=320, 450-550 | — | 450-550 | K1001-02-N03 |
| | Gear variable 1, L=520, 551-750 | — | 551-750 | K1001-04-N03 |
| | Gear variable 2, L=1000, 751-1230, 1 ML | — | 751-1230 | K1001-09-N03 |
| | Gear variable 3, L=1200, 950-1430, 1 ML | — | 950-1430 | K1001-11-N03 |
| | Gear variable 4, L=1480, 1231-1710, 2 ML | — | 1231-1710 | K1001-14-N03 |
| | Gear variable 5, L=1680, 1431-1910, 2 ML | — | 1431-1910 | K1001-16-N03 |
| | Gear variable 6, L=2160, 1911-2390, 3 ML | — | 1911-2390 | K1001-21-N03 |
| 1a | Constant tilt-turn gear 0, L=435, G=140, 370-550* | — | 370-550 | K1004-04-N03 |
| | Constant tilt-turn gear, L=435, G=130, 360-550* | — | 360-550 | K1004-04-N03 |
| | Constant tilt-turn gear 1, L=385, G=175, 400-500* | — | 400-500 | K1004-03-N03 |
| | Constant tilt-turn gear 2, L=565, G=200, 480-680* | — | 480-680 | K1004-05-N03 |
| | Constant tilt-turn gear 3, L=805, G=300, 681-920*, 1 ML | — | 681-920 | K1004-08-N03 |
| | Constant tilt-turn gear 4, L=1045, G=450, 921-1160*, 1 ML | — | 921-1160 | K1004-10-N03 |
| | Constant tilt-turn gear 5, L=1285, G=600, 1161-1400*, 1 ML | — | 1161-1400 | K1004-12-N03 |
| | Constant tilt-turn gear 6, L=1525, G=600, 1401-1640*, 2 ML | — | 1401-1640 | K1004-15-N03 |
| | Constant tilt-turn gear 7, L=1765, G=600, 1641-1880*, 2 ML | — | 1641-1880 | K1004-17-N03 |
| | Constant tilt-turn gear 8, L=1765, G=1000, 1641-1880*, 2 ML | — | 1641-1880 | K1004-18-N03 |
| | Constant tilt-turn gear 9, L=2005, G=1000, 1881-2120*, 2 ML | — | 1881-2120 | K1004-20-N03 |
| | Constant tilt-turn gear 10, L=2245, G=1000, 2121-2360*, 3 ML | — | 2121-2360 | K1004-22-N03 |
| 2b | Corner transmission, 1 MR, 115x115 | 480-1280 | 450-2390 | K2025-00-N03 |
| 2c | Corner transmission, bottom, 1 MR, 115x115 | 480-1280 | 450-2390 | K2028-00-N03 |
| 2d | Corner transmission, 2 MR, 115x115 | 480-1280 | 450-2390 | K2032-00-N03 |
| 2e | Corner transmission, bottom, 2 MR, 115x115 | 480-1280 | 450-2390 | K2029-00-N03 |
| 3a | Corner transmission, integrated slit, 1 MR, left/right, 115x115 | 480-1280 | 450-2390 | K2034-00-L/R03 |
| 4a | Narrow corner transmission, 1 MR, 115x15 | 380-480 | 450-2390 | K2026-00-N03 |
| | | 480-680 | 370-550 | |
| 5 | Stay arm, sash part 1, L=565, 480-680, left / right | 480-680 | — | K3030-06-L/R03 |
| | Stay arm, sash part 2, L=685, 600-800, left / right | 601-800 | — | K3030-07-L/R03 |
| | Stay arm, sash part 3, L=925, 801-1040, left / right | 801-1040 | — | K3030-09-L/R03 |
| | Stay arm, sash part 4, L=1165, 1041-1280, left / right | 1041-1280 | — | K3030-12-L/R03 |
| 5a | Concealed stay arm PVC, 13 mm, 480-800, left / right | 480-800 | — | A3001-02-L/R03 |
| | Concealed stay arm PVC, 13 mm, 801-1040, left / right | 801-1040 | — | A3001-03-L/R03 |
| | Concealed stay arm PVC, 13 mm, 1041-1280, left / right | 1041-1280 | — | A3001-04-L/R03 |
| | Concealed stay arm PVC, 9 mm, 480-800, left / right | 480-800 | — | A3002-02-L/R03 |
| | Concealed stay arm PVC, 9 mm, 801-1040, left / right | 801-1040 | — | A3002-03-L/R03 |
| | Concealed stay arm PVC, 9 mm, 1041-1280, left / right | 1041-1280 | — | A3002-04-L/R03 |



Tilt and turn set

Hardware overviews

ECCENTRIC CUT

| N° | Description | Application range by width | Application range by height | Part No. |
|-----|---|-------------------------------|--------------------------------|---------------|
| 6 | Middle lock L=400, 2 ML | 600-1000 | 600-1000 | K4004-04-N03 |
| | Middle lock L=650, 2 ML | 850-1250 | 850-1250 | K4004-06-N03 |
| | Middle lock L=720, 2 ML | 920-1320 | 920-1320 | K4004-07-N03 |
| | Middle lock L=820, 2 ML | 1251-1430 | 1251-1430 | K4004-08-N03 |
| | Middle lock L=1130, 3 ML | — | 1251-1730 | K4004-11-N03 |
| 6a | Middle lock L=400, 1 MR + 1 ML | 600-1000 | 600-1000 | K4008-04-N03 |
| | Middle lock L=650, 1 MR + 1 ML | 850-1250 | 850-1250 | K4008-06-N03 |
| | Middle lock L=820, 1 MR + 1 ML | 1251-1430 | 1251-1430 | K4008-08-N03 |
| | Middle lock L=1130, 1 MR + 2 ML | — | 1251-1730 | K4008-11-N03 |
| 7 | Middle lock extension, 1 ML, 480 mm | — | 1710-2210 | K4005-05-N03 |
| | Middle lock extension, 1 ML, 680 mm | — | 2211-2390 | K4005-07-N03 |
| 9 | Tilt locking plate, right | — | — | ** |
| | Tilt locking plate, left | — | — | ** |
| 10 | Locking plate | — | — | ** |
| 10a | Locking plate safety | — | — | ** |
| 10b | Tilt locking plate safety | — | — | ** |
| 11 | Lifting plate | — | 751-2390 | ** |
| 12 | Wrong operation safety device with sash lifter | — | 751-2390 | A7001-00-N03 |
| 13 | Concealed bottom hinge PVC, 9 mm, left | — | — | A5025-09-L03 |
| | Concealed bottom hinge PVC, 9 mm, right | — | — | A5025-09-R03 |
| | Concealed bottom hinge PVC, 13 mm, left | — | — | A5025-13-L03 |
| | Concealed bottom hinge PVC, 13 mm, right | — | — | A5025-13-R03 |
| 14 | Concealed bottom sash hinge, 9 mm, left | — | — | A5027-09-L03 |
| | Concealed bottom sash hinge, 9 mm, right | — | — | A5027-09-R03 |
| | Concealed bottom sash hinge, 13 mm, left | — | — | A5027-13-L03 |
| | Concealed bottom sash hinge, 13 mm, right | — | — | A5027-13-R03 |
| 20 | Concealed hinge packer, 13 mm, left | — | — | A7**-13-L03 |
| | Concealed hinge packer, 13 mm, right | — | — | A7**-13-R03 |
| 21 | Sash turning restrictor | — | — | A7110-00-N03 |
| 27 | Locking plate, integrated slit | — | — | ** |
| 28 | Locking plate for integrated slit (frame part) | — | — | ** |
| 29 | Balcony catch | — | — | A7184-13-N03 |
| 29b | Balcony locking pin | — | — | A7207-00-N03 |
| 36 | Extension lock for corner transmission 480 mm, 1 ML | — | — | K4010-00-N03 |
| | Extension lock for corner transmission 680 mm, 1 ML | — | — | K4010-07-N03 |
| | Extension lock for corner transmission 880 mm, 2 ML | — | — | K4010-09-N03 |
| | Extension lock for corner transmission 480 mm, 1 MR | — | — | K4030-00-N03 |
| 38 | Magnetic balcony catch, frame part | — | — | A7053-00-N03 |
| 38a | Magnetic balcony catch, sash part | — | — | A7055-***-N03 |
| 39 | Extension lock 240 mm, 1 MR | — | — | K4050-02-N03 |
| | Extension lock 480 mm, 1 MR | — | — | K4050-05-N03 |

* – with offset relative to center

** – see the section "Profile-dependent elements" of catalogues KOMFORT LINE K-3 Smart & Quick or ELITE+

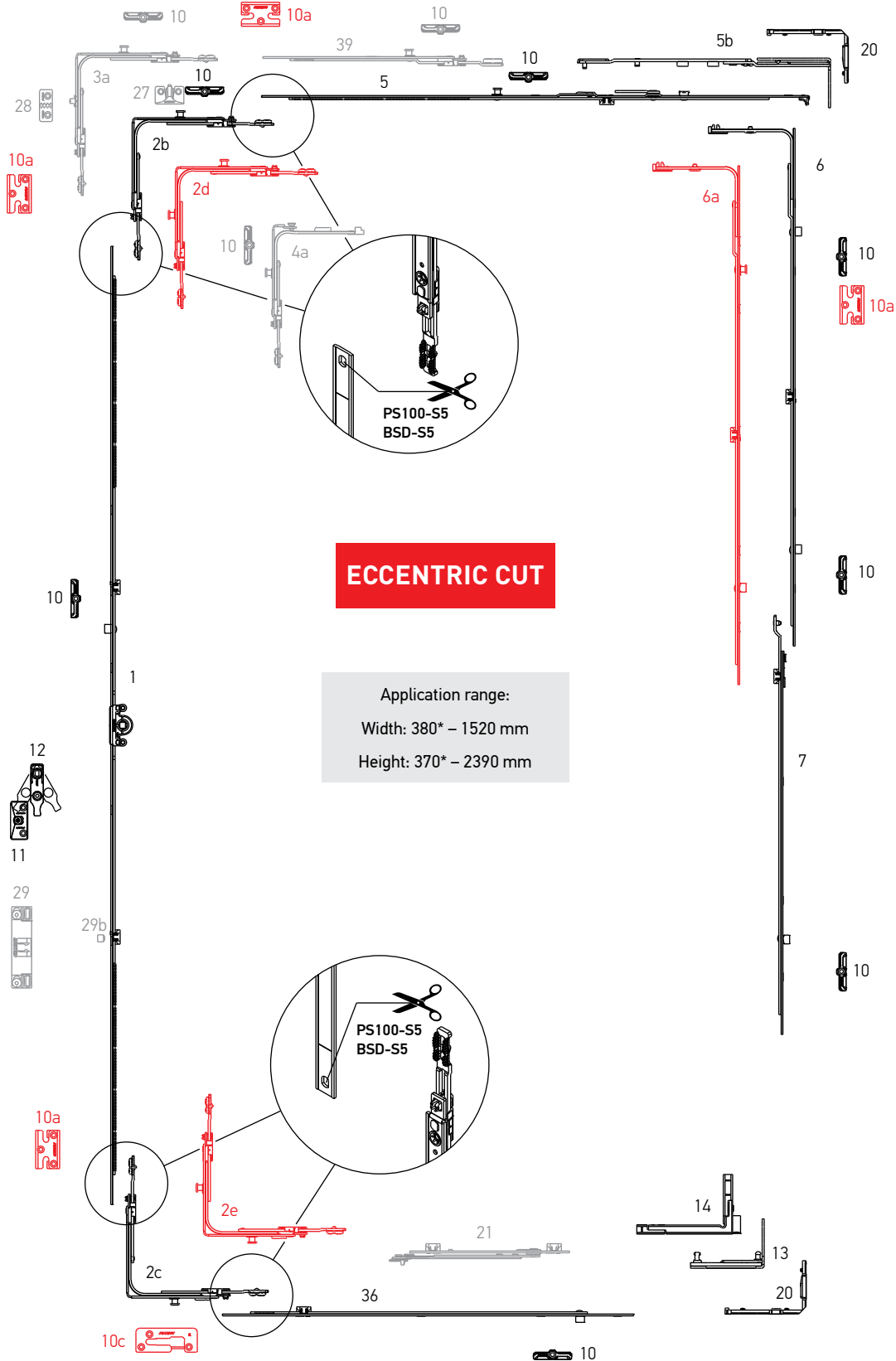
*** – according to displacement axis of sash groove (9 mm, 10 mm, 13 mm, 14 mm)



Tilt and turn set "First Tilt"

Hardware overviews

Tilt and turn set "First Tilt". Eccentric cut.



ECCENTRIC CUT

Application range:
Width: 380* - 1520 mm
Height: 370* - 2390 mm

* - with narrow corner transmission K2026-00-N03



Tilt and turn set “First Tilt”

Hardware overviews

ECCENTRIC CUT

| Nº | Description | Application range by width | Application range by height | Part No. |
|-----|---|-------------------------------|--------------------------------|----------------|
| 1 | Gear variable 0, L=320, 450-550 | — | 450-550 | K1001-02-N03 |
| | Gear variable 1, L=520, 551-750 | — | 551-750 | K1001-04-N03 |
| | Gear variable 2, L=1000, 751-1230, 1 ML | — | 751-1230 | K1001-09-N03 |
| | Gear variable 3, L=1200, 950-1430, 1 ML | — | 950-1430 | K1001-11-N03 |
| | Gear variable 4, L=1480, 1231-1710, 2 ML | — | 1231-1710 | K1001-14-N03 |
| | Gear variable 5, L=1680, 1431-1910, 2 ML | — | 1431-1910 | K1001-16-N03 |
| | Gear variable 6, L=2160, 1911-2390, 3 ML | — | 1911-2390 | K1001-21-N03 |
| 2b | Corner transmission, 1 MR, 115x115 | 480-1280 | 450-2390 | K2025-00-N03 |
| 2c | Corner transmission, bottom, 1 MR, 115x115 | 480-1280 | 450-2390 | K2028-00-N03 |
| 2d | Corner transmission, 2 MR, 115x115 | 480-1280 | 450-2390 | K2032-00-N03 |
| 2e | Corner transmission, bottom, 2 MR, 115x115 | 480-1280 | 450-2390 | K2029-00-N03 |
| 3a | Corner transmission, integrated slit, 1 MR, left/right, 115x115 | 480-1280 | 450-2390 | K2034-00-L/R03 |
| 4a | Narrow corner transmission, 1 MR, 115x15 | 380-480 | 450-2390 | K2026-00-N03 |
| | | 480-680 | 370-550 | |
| 5 | Stay arm, sash part 1, L=565, 480-680, left / right | 480-680 | — | K3030-06-L/R03 |
| | Stay arm, sash part 2, L=685, 600-800, left / right | 601-800 | — | K3030-07-L/R03 |
| | Stay arm, sash part 3, L=925, 801-1040, left / right | 801-1040 | — | K3030-09-L/R03 |
| | Stay arm, sash part 4, L=1165, 1041-1280, left / right | 1041-1280 | — | K3030-12-L/R03 |
| 5b | Concealed stay arm “First Tilt” PVC, 13 mm, 480-800, left / right | 480-800 | — | A3005-02-L/R03 |
| | Concealed stay arm “First Tilt” PVC, 13 mm, 801-1040, left / right | 801-1040 | — | A3005-03-L/R03 |
| | Concealed stay arm “First Tilt” PVC, 13 mm, 1041-1280, left / right | 1041-1280 | — | A3005-04-L/R03 |
| | Concealed stay arm “First Tilt” PVC, 9 mm, 480-800, left / right | 480-800 | — | A3006-02-L/R03 |
| | Concealed stay arm “First Tilt” PVC, 9 mm, 801-1040, left / right | 801-1040 | — | A3006-03-L/R03 |
| | Concealed stay arm “First Tilt” PVC, 9 mm, 1041-1280, left / right | 1041-1280 | — | A3006-04-L/R03 |
| 6 | Middle lock L=400, 2 ML | 600-1000 | 600-1000 | K4004-04-N03 |
| | Middle lock L=650, 2 ML | 850-1250 | 850-1250 | K4004-06-N03 |
| | Middle lock L=720, 2 ML | 920-1320 | 920-1320 | K4004-07-N03 |
| | Middle lock L=820, 2 ML | 1251-1430 | 1251-1430 | K4004-08-N03 |
| | Middle lock L=1130, 3 ML | — | 1251-1730 | K4004-11-N03 |
| 6a | Middle lock L=400, 1 MR + 1 ML | 600-1000 | 600-1000 | K4008-04-N03 |
| | Middle lock L=650, 1 MR + 1 ML | 850-1250 | 850-1250 | K4008-06-N03 |
| | Middle lock L=820, 1 MR + 1 ML | 1251-1430 | 1251-1430 | K4008-08-N03 |
| | Middle lock L=1130, 1 MR + 2 ML | — | 1251-1730 | K4008-11-N03 |
| 7 | Middle lock extension, 1 ML, 480 mm | — | 1710-2210 | K4005-05-N03 |
| | Middle lock extension, 1 ML, 680 mm | — | 2211-2390 | K4005-07-N03 |
| 10 | Locking plate | — | — | * |
| 10a | Locking plate safety | — | — | * |
| 10c | Tilt locking plate “First Tilt”, left / right | — | — | * |
| 11 | Lifting plate | — | 751-2390 | * |
| 12 | Wrong operation safety device with sash lifter | — | 751-2390 | A7001-00-N03 |


Tilt and turn set “First Tilt”
Hardware overviews
ECCENTRIC CUT

| N° | Description | Application range by width | Application range by height | Part No. |
|-----|---|----------------------------|-----------------------------|--------------|
| 13 | Concealed bottom hinge PVC, 9 mm, left | — | — | A5025-09-L03 |
| | Concealed bottom hinge PVC, 9 mm, right | — | — | A5025-09-R03 |
| | Concealed bottom hinge PVC, 13 mm, left | — | — | A5025-13-L03 |
| | Concealed bottom hinge PVC, 13 mm, right | — | — | A5025-13-R03 |
| 14 | Concealed bottom sash hinge, 9 mm, left | — | — | A5027-09-L03 |
| | Concealed bottom sash hinge, 9 mm, right | — | — | A5027-09-R03 |
| | Concealed bottom sash hinge, 13 mm, left | — | — | A5027-13-L03 |
| | Concealed bottom sash hinge, 13 mm, right | — | — | A5027-13-R03 |
| 20 | Concealed hinge packer, 13 mm, left | — | — | A7*-13-L03 |
| | Concealed hinge packer, 13 mm, right | — | — | A7*-13-R03 |
| 21 | Sash turning restrictor | — | — | A7110-00-N03 |
| 27 | Locking plate, integrated slit | — | — | * |
| 28 | Locking plate for integrated slit (frame part) | — | — | * |
| 29 | Balcony catch | — | — | A7184-13-N03 |
| 29b | Balcony locking pin | — | — | A7207-00-N03 |
| 36 | Extension lock for corner transmission 480 mm, 1 ML | — | — | K4010-00-N03 |
| | Extension lock for corner transmission 680 mm, 1 ML | — | — | K4010-07-N03 |
| | Extension lock for corner transmission 880 mm, 2 ML | — | — | K4010-09-N03 |
| | Extension lock for corner transmission 480 mm, 1 MR | — | — | K4030-00-N03 |
| 39 | Extension lock 240 mm, 1 MR | — | — | K4050-02-N03 |
| | Extension lock 480 mm, 1 MR | — | — | K4050-05-N03 |

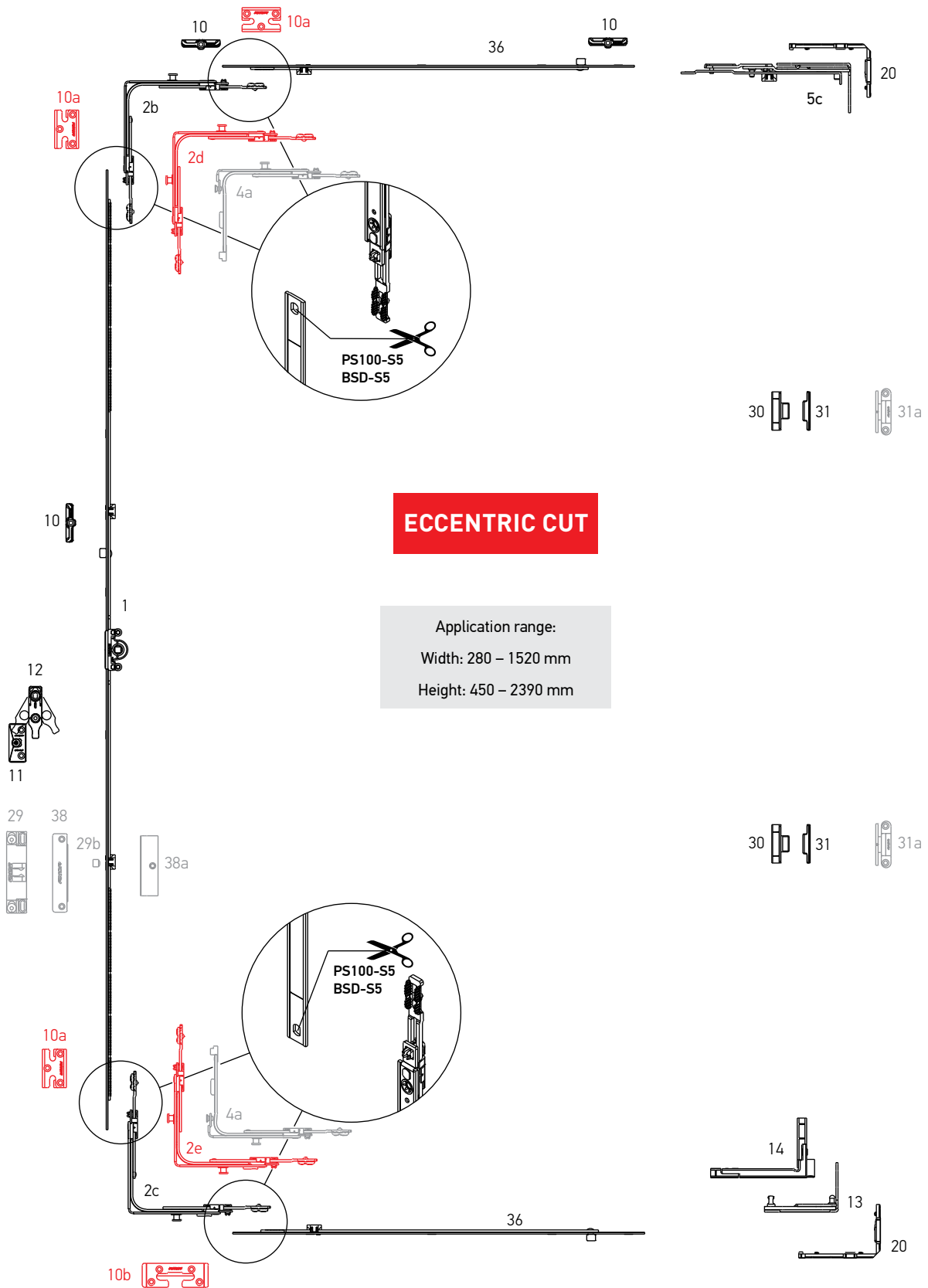
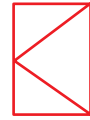
* – see the section “Profile-dependent elements” of catalogues KOMFORT LINE K-3 Smart & Quick or ELITE+



Turn set

Hardware overviews

Turn set. Eccentric cut.



ECCENTRIC CUT

Application range:
Width: 280 – 1520 mm
Height: 450 – 2390 mm


Turn set
Hardware overviews
ECCENTRIC CUT

| N° | Description | Application range by width | Application range by height | Part No. |
|-----|--|----------------------------|-----------------------------|----------------|
| 1 | Gear variable 0, L=320, 450-550 | — | 450-550 | K1001-02-N03 |
| | Gear variable 1, L=520, 551-750 | — | 551-750 | K1001-04-N03 |
| | Gear variable 2, L=1000, 751-1230, 1 ML | — | 751-1230 | K1001-09-N03 |
| | Gear variable 3, L=1200, 950-1430, 1 ML | — | 950-1430 | K1001-11-N03 |
| | Gear variable 4, L=1480, 1231-1710, 2 ML | — | 1231-1710 | K1001-14-N03 |
| | Gear variable 5, L=1680, 1431-1910, 2 ML | — | 1431-1910 | K1001-16-N03 |
| | Gear variable 6, L=2160, 1911-2390, 3 ML | — | 1911-2390 | K1001-21-N03 |
| 2b | Corner transmission, 1 MR, 115x115 | 400-1280 | 450-2390 | K2025-00-N03 |
| 2c | Corner transmission, bottom, 1 MR, 115x115 | 400-1280 | 450-2390 | K2028-00-N03 |
| 2d | Corner transmission, 2 MR, 115x115 | 400-1280 | 450-2390 | K2032-00-N03 |
| 2e | Corner transmission, bottom, 2 MR, 115x115 | 400-1280 | 450-2390 | K2029-00-N03 |
| 4a | Narrow corner transmission, 1 MR, 115x15 | 380-480 | 450-2390 | K2026-00-N03 |
| | | 480-680 | 370-550 | |
| 5c | Concealed side hung top hinge PVC, 9 mm, left / right | — | — | A5023-09-L/R03 |
| | Concealed side hung top hinge PVC, 13 mm, left / right | — | — | A5023-13-L/R03 |
| 10 | Locking plate | — | — | * |
| 10a | Locking plate safety | — | — | * |
| 10b | Tilt locking plate safety | — | — | * |
| 11 | Lifting plate | — | 751-2390 | * |
| 12 | Wrong operation safety device with sash lifter | — | 751-2390 | A7001-00-N03 |
| 13 | Concealed bottom hinge PVC, 9 mm, left / right | — | — | A5025-09-L/R03 |
| | Concealed bottom hinge PVC, 13 mm, left / right | — | — | A5025-13-L/R03 |
| 14 | Concealed bottom sash hinge, 9 mm, left / right | — | — | A5027-09-L/R03 |
| | Concealed bottom sash hinge, 13 mm, left / right | — | — | A5027-13-L/R03 |
| 20 | Concealed hinge packer, 13 mm, left / right | — | — | A7*-13-L/R03 |
| 29 | Balcony catch | — | — | A7184-13-N03 |
| 29b | Balcony locking pin | — | — | A7207-00-N03 |
| 30 | Concealed middle hinge, sash part | — | — | A7056-00-N03 |
| 31 | Concealed middle hinge, frame part | — | — | A7057-**-N03 |
| 31a | Middle hinge (white) | — | — | A7185-00-N01 |
| 36 | Extension lock for corner transmission 480 mm, 1 ML | — | — | K4010-00-N03 |
| | Extension lock for corner transmission 680 mm, 1 ML | — | — | K4010-07-N03 |
| | Extension lock for corner transmission 880 mm, 2 ML | — | — | K4010-09-N03 |
| | Extension lock for corner transmission 480 mm, 1 MR | — | — | K4030-00-N03 |
| 38 | Magnetic balcony catch, frame part | — | — | A7053-00-N03 |
| 38a | Magnetic balcony catch, sash part | — | — | A7055-**-N03 |

* – see the section "Profile-dependent elements" of catalogues KOMFORT LINE K-3 Smart & Quick or ELITE+

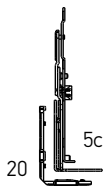
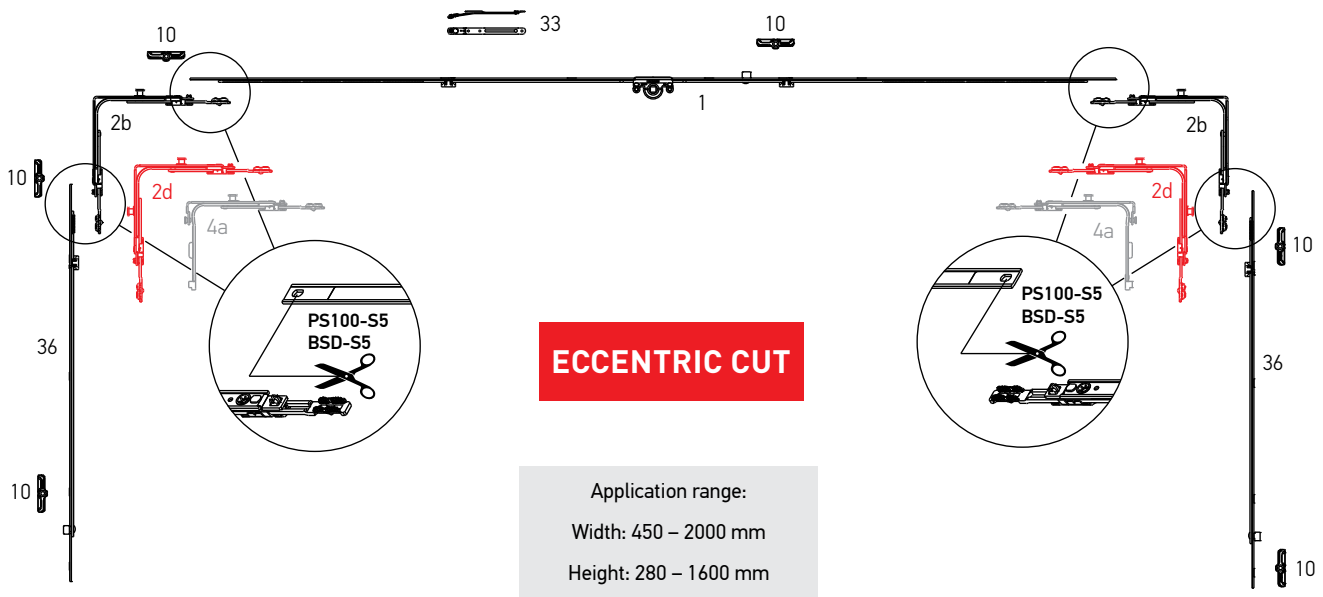
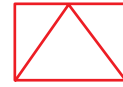
** – according to displacement axis of sash groove (9 mm, 10 mm, 13 mm, 14 mm)



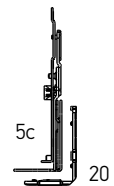
Tilt set

Hardware overviews

Tilt set. Eccentric cut.



- 30
- 31
- 31a




Tilt set
Hardware overviews
ECCENTRIC CUT

| N° | Description | Application range by width | Application range by height | Part No. |
|-----|---|-------------------------------|--------------------------------|--------------|
| 1 | Gear variable 0, L=320, 450-550 | — | 450-550 | K1001-02-N03 |
| | Gear variable 1, L=520, 551-750 | — | 551-750 | K1001-04-N03 |
| | Gear variable 2, L=1000, 751-1230, 1 ML | — | 751-1230 | K1001-09-N03 |
| | Gear variable 3, L=1200, 950-1430, 1 ML | — | 950-1430 | K1001-11-N03 |
| | Gear variable 4, L=1480, 1231-1710, 2 ML | — | 1231-1710 | K1001-14-N03 |
| | Gear variable 5, L=1680, 1431-1910, 2 ML | — | 1431-1910 | K1001-16-N03 |
| | Gear variable 6, L=2160, 1911-2390, 3 ML | — | 1911-2390 | K1001-21-N03 |
| 2b | Corner transmission, 1 MR, 115x115 | 330-1280 | 450-2390 | K2025-00-N03 |
| 2c | Corner transmission, bottom, 1 MR, 115x115 | 330-1280 | 450-2390 | K2028-00-N03 |
| 2d | Corner transmission, 2 MR, 115x115 | 330-1280 | 450-2390 | K2032-00-N03 |
| 2e | Corner transmission, bottom, 2 MR, 115x115 | 330-1280 | 450-2390 | K2029-00-N03 |
| 4a | Narrow corner transmission, 1 MR, 115x15 | 280-1280 | 450-2390 | K2026-00-N03 |
| | | 330-520 | 290-350 | |
| 5c | Concealed side hung top hinge PVC, 9 mm, left | — | — | A5023-09-L03 |
| | Concealed side hung top hinge PVC, 9 mm, right | — | — | A5023-09-R03 |
| | Concealed side hung top hinge PVC, 13 mm, left | — | — | A5023-13-L03 |
| | Concealed side hung top hinge PVC, 13 mm, right | — | — | A5023-13-R03 |
| 10 | Locking plate | — | — | * |
| 20 | Concealed hinge packer, 13 mm, left | — | — | A7*-13-L03 |
| | Concealed hinge packer, 13 mm, right | — | — | A7*-13-R03 |
| 30 | Concealed middle hinge, sash part | — | — | A7056-00-N03 |
| 31 | Concealed middle hinge, frame part | — | — | A7057-**-N03 |
| 31a | Middle hinge (white) | — | — | A7185-00-N01 |
| 33 | Tilt stay arm | — | — | A7107-00-N03 |
| | Tilt stay arm | — | — | A7017-00-N03 |
| 36 | Extension lock for corner transmission 480 mm, 1 ML | — | — | K4010-00-N03 |
| | Extension lock for corner transmission 680 mm, 1 ML | — | — | K4010-07-N03 |
| | Extension lock for corner transmission 880 mm, 2 ML | — | — | K4010-09-N03 |
| | Extension lock for corner transmission 480 mm, 1 MR | — | — | K4030-00-N03 |

* – see the section “Profile-dependent elements” of catalogues KOMFORT LINE K-3 Smart & Quick or ELITE+

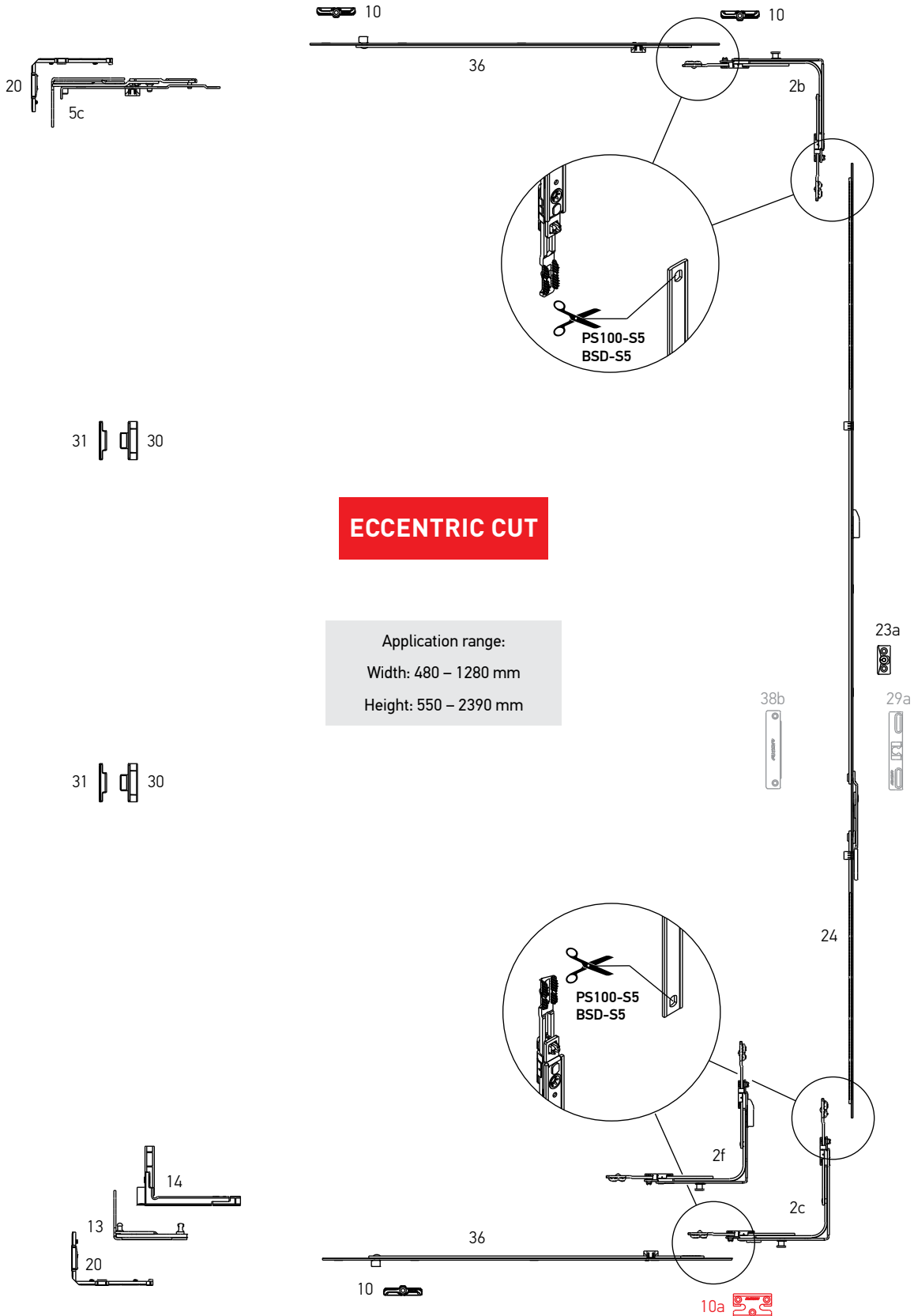
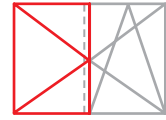
** – according to displacement axis of sash groove (9 mm, 10 mm, 13 mm, 14 mm)



Double sash

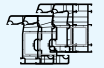
Hardware overviews

Secondary sash of double-sash window. Eccentric cut.



ECCENTRIC CUT

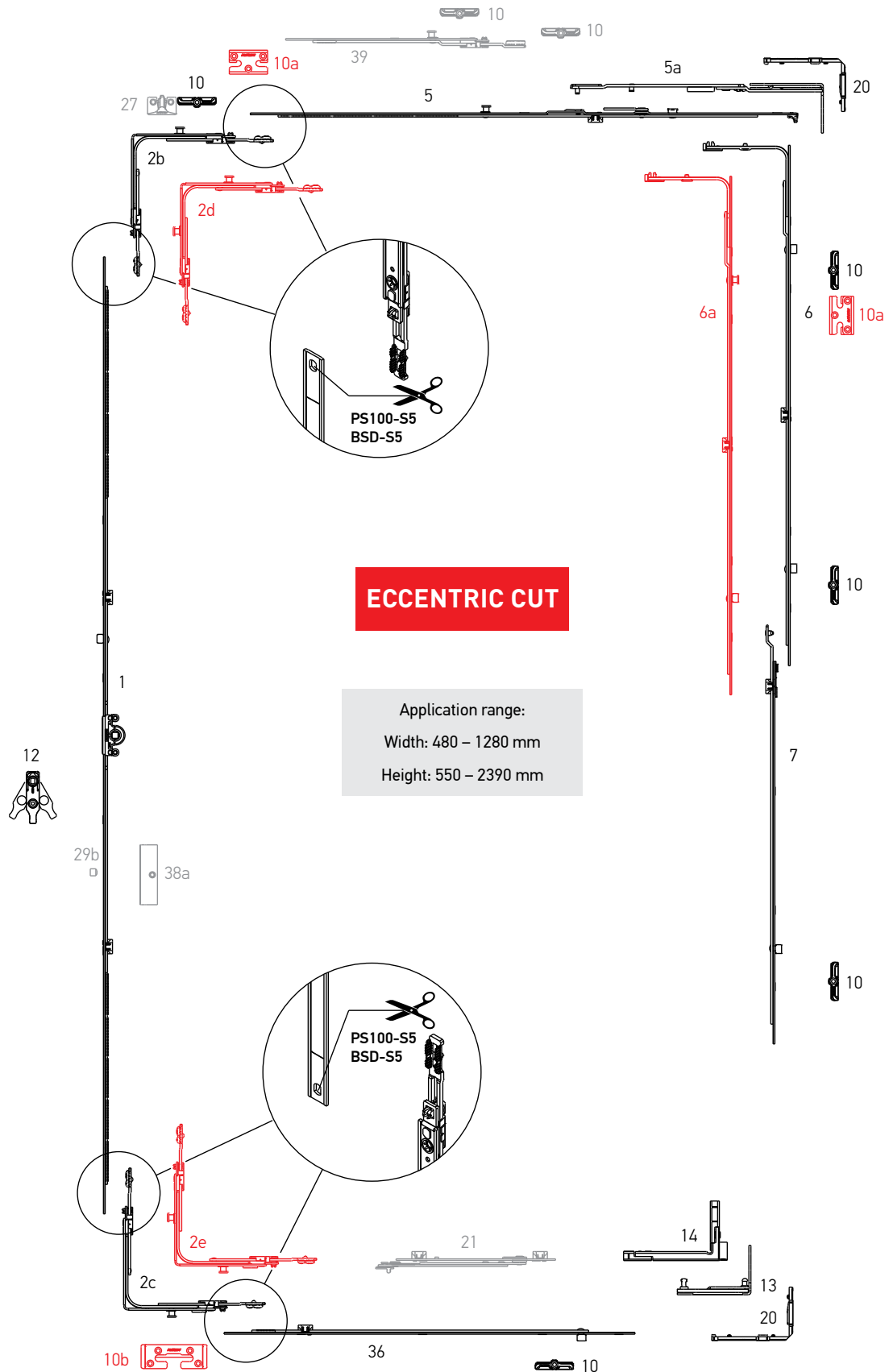
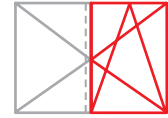
Application range:
Width: 480 – 1280 mm
Height: 550 – 2390 mm



Double sash

Hardware overviews

Main sash. Eccentric cut.





Double sash

Hardware overviews

ECCENTRIC CUT

| Nº | Description | Application range by width | Application range by height | Part No. |
|-----|---|----------------------------|-----------------------------|----------------|
| 1 | Gear variable 1, L=520, 551-750 | — | 551-750 | K1001-04-N03 |
| | Gear variable 2, L=1000, 751-1230, 1 ML | — | 751-1230 | K1001-09-N03 |
| | Gear variable 3, L=1200, 950-1430, 1 ML | — | 950-1430 | K1001-11-N03 |
| | Gear variable 5, L=1680, 1431-1910, 2 ML | — | 1431-1910 | K1001-16-N03 |
| | Gear variable 6, L=2160, 1911-2390, 3 ML | — | 1911-2390 | K1001-21-N03 |
| 2b | Corner transmission, 1 MR, 115x115 | 480-1280 | 450-2390 | K2025-00-N03 |
| 2c | Corner transmission, bottom, 1 MR, 115x115 | 480-1280 | 450-2390 | K2028-00-N03 |
| 2d | Corner transmission, 2 MR, 115x115 | 480-1280 | 450-2390 | K2032-00-N03 |
| 2e | Corner transmission, bottom, 2 MR, 115x115 | 480-1280 | 450-2390 | K2029-00-N03 |
| 2f | Corner transmission, double sash, bottom, 1 MR, 115x115 | 400-1280 | 550-2390 | K2030-00-N03 |
| 5 | Stay arm, sash part 1, L=565, 480-680, left / right | 480-680 | — | K3030-06-L/R03 |
| | Stay arm, sash part 2, L=685, 600-800, left / right | 601-800 | — | K3030-07-L/R03 |
| | Stay arm, sash part 3, L=925, 801-1040, left / right | 801-1040 | — | K3030-09-L/R03 |
| | Stay arm, sash part 4, L=1165, 1041-1280, left / right | 1041-1280 | — | K3030-12-L/R03 |
| 5a | Concealed stay arm PVC, 13 mm, 480-800, left / right | 480-800 | — | A3001-02-L/R03 |
| | Concealed stay arm PVC, 13 mm, 801-1040, left / right | 801-1040 | — | A3001-03-L/R03 |
| | Concealed stay arm PVC, 13 mm, 1041-1280, left / right | 1041-1280 | — | A3001-04-L/R03 |
| | Concealed stay arm PVC, 9 mm, 480-800, left / right | 480-800 | — | A3002-02-L/R03 |
| | Concealed stay arm PVC, 9 mm, 801-1040, left / right | 801-1040 | — | A3002-03-L/R03 |
| | Concealed stay arm PVC, 9 mm, 1041-1280, left / right | 1041-1280 | — | A3002-04-L/R03 |
| 5c | Concealed side hung top hinge PVC, 9 mm, left | — | — | A5023-09-L03 |
| | Concealed side hung top hinge PVC, 9 mm, right | — | — | A5023-09-R03 |
| | Concealed side hung top hinge PVC, 13 mm, left | — | — | A5023-13-L03 |
| | Concealed side hung top hinge PVC, 13 mm, right | — | — | A5023-13-R03 |
| 6 | Middle lock L=400, 2 ML | 600-1000 | 600-1000 | K4004-04-N03 |
| | Middle lock L=650, 2 ML | 850-1250 | 850-1250 | K4004-06-N03 |
| | Middle lock L=720, 2 ML | 920-1320 | 920-1320 | K4004-07-N03 |
| | Middle lock L=820, 2 ML | 1251-1430 | 1251-1430 | K4004-08-N03 |
| | Middle lock L=1130, 3 ML | — | 1251-1730 | K4004-11-N03 |
| 6a | Middle lock L=400, 1 MR + 1 ML | 600-1000 | 600-1000 | K4008-04-N03 |
| | Middle lock L=650, 1 MR + 1 ML | 850-1250 | 850-1250 | K4008-06-N03 |
| | Middle lock L=820, 1 MR + 1 ML | 1251-1430 | 1251-1430 | K4008-08-N03 |
| | Middle lock L=1130, 1 MR + 2 ML | — | 1251-1730 | K4008-11-N03 |
| 7 | Middle lock extension, 1 ML, 480 mm | — | 1710-2210 | K4005-05-N03 |
| | Middle lock extension, 1 ML, 680 mm | — | 2231-2390 | K4005-07-N03 |
| 10 | Locking plate | — | — | * |
| 10a | Locking plate safety | — | — | * |
| 10b | Tilt locking plate safety | — | — | * |
| 12 | Wrong operation safety device with sash lifter | — | 751-2390 | A7001-00-N03 |



Double sash

Hardware overviews

ECCENTRIC CUT

| N° | Description | Application range by width | Application range by height | Part No. |
|-----|---|----------------------------|-----------------------------|--------------|
| 13 | Concealed bottom hinge PVC, 9 mm, left | — | — | A5025-09-L03 |
| | Concealed bottom hinge PVC, 9 mm, right | — | — | A5025-09-R03 |
| | Concealed bottom hinge PVC, 13 mm, left | — | — | A5025-13-L03 |
| | Concealed bottom hinge PVC, 13 mm, right | — | — | A5025-13-R03 |
| 14 | Concealed bottom sash hinge, 9 mm, left | — | — | A5027-09-L03 |
| | Concealed bottom sash hinge, 9 mm, right | — | — | A5027-09-R03 |
| | Concealed bottom sash hinge, 13 mm, left | — | — | A5027-13-L03 |
| | Concealed bottom sash hinge, 13 mm, right | — | — | A5027-13-R03 |
| 20 | Concealed hinge packer, 13 mm, left | — | — | A7*-13-L03 |
| | Concealed hinge packer, 13 mm, right | — | — | A7*-13-R03 |
| 21 | Sash turning restrictor | — | — | A7110-00-N03 |
| 23a | Lifting plate for double sash, sash part | — | — | A6001-00-N03 |
| 24 | Double-sash gear 1 L=520, 551-750 | — | 551-750 | K1002-04-N03 |
| | Double-sash gear 2 L=720, 751-950 | — | 751-950 | K1002-06-N03 |
| | Double-sash gear 3 L=1200, 951-1430 | — | 951-1430 | K1002-11-N03 |
| | Double-sash gear 4 L=1680, 1431-1910 | — | 1431-1910 | K1002-16-N03 |
| | Double-sash gear 5 L=2160, 1911-2390 | — | 1911-2390 | K1002-21-N03 |
| 27 | Locking plate, integrated slit | — | — | * |
| 29a | Balcony catch for double-sash gear | — | 1911-2390 | A7047-00-N03 |
| 29b | Balcony locking pin | — | — | A7207-00-N03 |
| 30 | Concealed middle hinge, sash part | — | — | A7056-00-N03 |
| 31 | Concealed middle hinge, frame part | — | — | A7057-**-N03 |
| 36 | Extension lock for corner transmission 480 mm, 1 ML | — | — | K4010-00-N03 |
| | Extension lock for corner transmission 680 mm, 1 ML | — | — | K4010-07-N03 |
| | Extension lock for corner transmission 880 mm, 2 ML | — | — | K4010-09-N03 |
| | Extension lock for corner transmission 480 mm, 1 MR | — | — | K4030-00-N03 |
| 38a | Magnetic balcony catch, sash part | — | — | A7055-**-N03 |
| 38b | Magnetic Balcony catch for double-sash gear, frame part | — | — | A7054-00-N03 |
| 39 | Extension lock 240 mm, 1 MR | — | — | K4050-02-N03 |
| | Extension lock 480 mm, 1 MR | — | — | K4050-05-N03 |

* – see the section "Profile-dependent elements" of catalogues KOMFORT LINE K-3 Smart & Quick or ELITE+

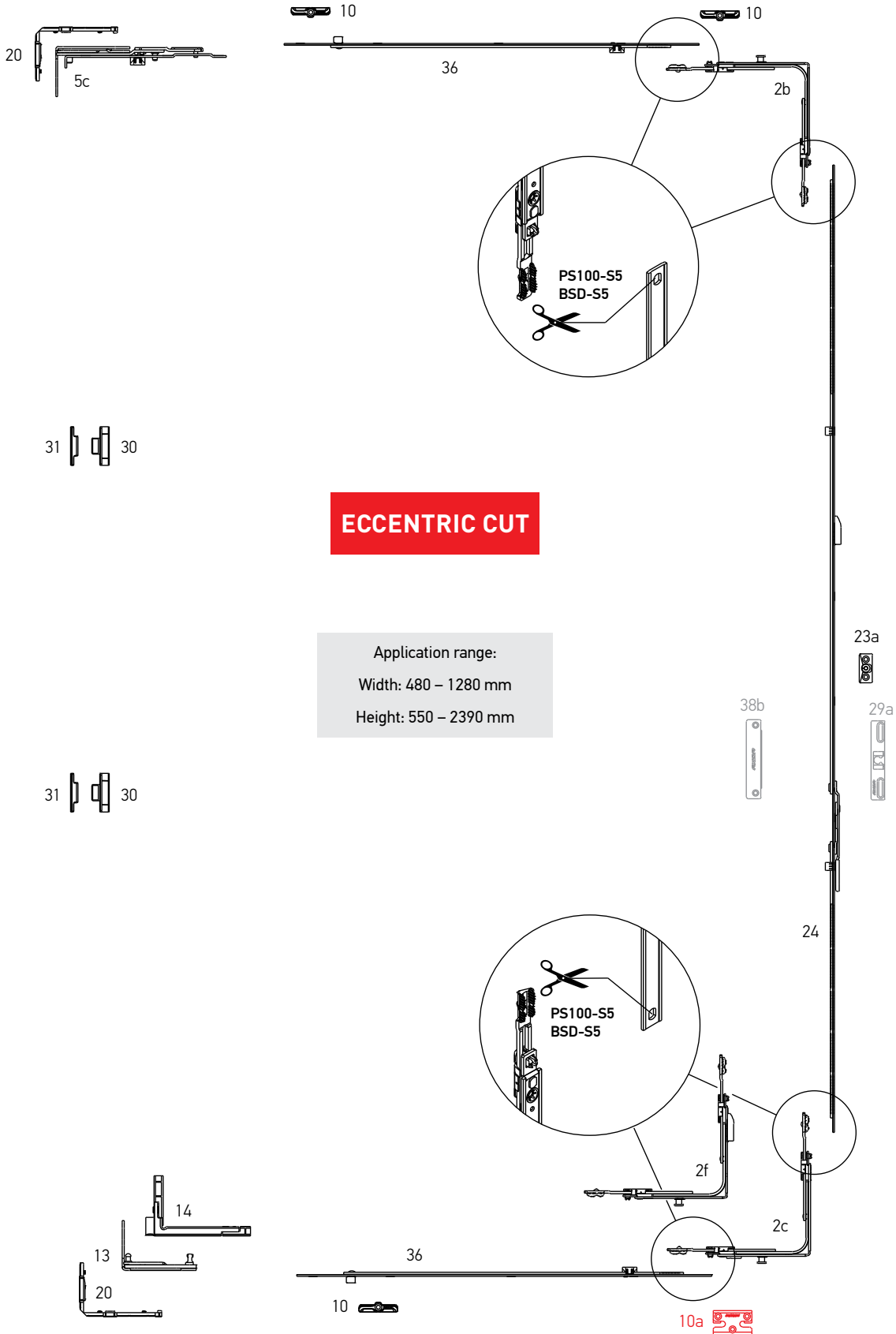
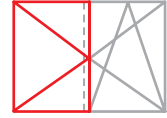
** – according to displacement axis of sash groove (9 mm, 10 mm, 13 mm, 14 mm)



Double sash "First Tilt"

Hardware overviews

Secondary sash of double-sash window. "First Tilt". Eccentric cut.



ECCENTRIC CUT

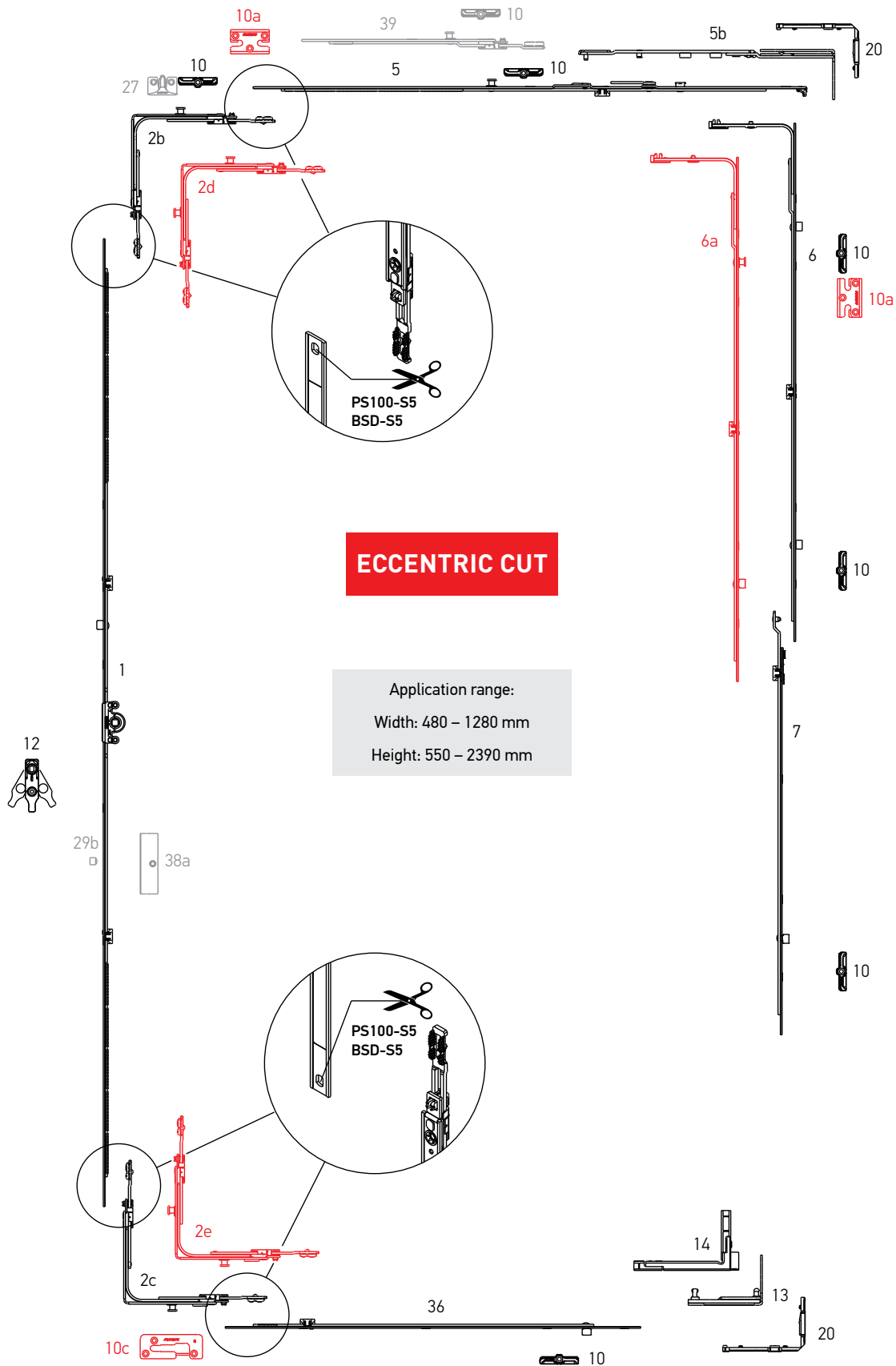
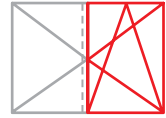
Application range:
Width: 480 – 1280 mm
Height: 550 – 2390 mm



Double sash "First Tilt"

Hardware overviews

Main sash "First Tilt". Eccentric cut.





Double sash "First Tilt"

Hardware overviews

ECCENTRIC CUT

| Nº | Description | Application range by width | Application range by height | Part No. |
|-----|---|----------------------------|-----------------------------|----------------|
| 1 | Gear variable 1, L=520, 551-750 | — | 551-750 | K1001-04-N03 |
| | Gear variable 2, L=1000, 751-1230, 1 ML | — | 751-1230 | K1001-09-N03 |
| | Gear variable 3, L=1200, 950-1430, 1 ML | — | 950-1430 | K1001-11-N03 |
| | Gear variable 5, L=1680, 1431-1910, 2 ML | — | 1431-1910 | K1001-16-N03 |
| | Gear variable 6, L=2160, 1911-2390, 3 ML | — | 1911-2390 | K1001-21-N03 |
| 2b | Corner transmission, 1 MR, 115x115 | 480-1280 | 450-2390 | K2025-00-N03 |
| 2c | Corner transmission, bottom, 1 MR, 115x115 | 480-1280 | 450-2390 | K2028-00-N03 |
| 2d | Corner transmission, 2 MR, 115x115 | 480-1280 | 450-2390 | K2032-00-N03 |
| 2e | Corner transmission, bottom, 2 MR, 115x115 | 480-1280 | 450-2390 | K2029-00-N03 |
| 2f | Corner transmission, double sash, bottom, 1 MR, 115x115 | 480-1280 | 550-2390 | K2030-00-N03 |
| 5 | Stay arm, sash part 1, L=565, 480-680, left / right | 480-680 | — | K3030-06-L/R03 |
| | Stay arm, sash part 2, L=685, 600-800, left / right | 601-800 | — | K3030-07-L/R03 |
| | Stay arm, sash part 3, L=925, 801-1040, left / right | 801-1040 | — | K3030-09-L/R03 |
| | Stay arm, sash part 4, L=1165, 1041-1280, left / right | 1041-1280 | — | K3030-12-L/R03 |
| 5b | Concealed stay arm "First Tilt" PVC, 13 mm, 480-800, left / right | 480-800 | — | A3005-02-L/R03 |
| | Concealed stay arm "First Tilt" PVC, 13 mm, 801-1040, left / right | 801-1040 | — | A3005-03-L/R03 |
| | Concealed stay arm "First Tilt" PVC, 13 mm, 1041-1280, left / right | 1041-1280 | — | A3005-04-L/R03 |
| | Concealed stay arm "First Tilt" PVC, 9 mm, 480-800, left / right | 480-800 | — | A3006-02-L/R03 |
| | Concealed stay arm "First Tilt" PVC, 9 mm, 801-1040, left / right | 801-1040 | — | A3006-03-L/R03 |
| | Concealed stay arm "First Tilt" PVC, 9 mm, 1041-1280, left / right | 1041-1280 | — | A3006-04-L/R03 |
| 5c | Concealed side hung top hinge PVC, 9 mm, left | — | — | A5023-09-L03 |
| | Concealed side hung top hinge PVC, 9 mm, right | — | — | A5023-09-R03 |
| | Concealed side hung top hinge PVC, 13 mm, left | — | — | A5023-13-L03 |
| | Concealed side hung top hinge PVC, 13 mm, right | — | — | A5023-13-R03 |
| 6 | Middle lock L=400, 2 ML | 600-1000 | 600-1000 | K4004-04-N03 |
| | Middle lock L=650, 2 ML | 850-1250 | 850-1250 | K4004-06-N03 |
| | Middle lock L=720, 2 ML | 920-1320 | 920-1320 | K4004-07-N03 |
| | Middle lock L=820, 2 ML | 1251-1430 | 1251-1430 | K4004-08-N03 |
| | Middle lock L=1130, 3 ML | — | 1251-1730 | K4004-11-N03 |
| 6a | Middle lock L=400, 1 MR + 1 ML | 600-1000 | 600-1000 | K4008-04-N03 |
| | Middle lock L=650, 1 MR + 1 ML | 850-1250 | 850-1250 | K4008-06-N03 |
| | Middle lock L=820, 1 MR + 1 ML | 1251-1430 | 1251-1430 | K4008-08-N03 |
| | Middle lock L=1130, 1 MR + 2 ML | — | 1251-1730 | K4008-11-N03 |
| 7 | Middle lock extension, 1 ML, 480 mm | — | 1710-2210 | K4005-05-N03 |
| | Middle lock extension, 1 ML, 680 mm | — | 2231-2390 | K4005-07-N03 |
| 10 | Locking plate | — | — | * |
| 10a | Locking plate safety | — | — | * |
| 10c | Tilt locking plate "First Tilt", left / right | — | — | * |
| 12 | Wrong operation safety device with sash lifter | — | 751-2390 | A7001-00-N03 |



Double sash “First Tilt”

Hardware overviews

ECCENTRIC CUT

| Nº | Description | Application range by width | Application range by height | Part No. |
|-----|---|----------------------------|-----------------------------|--------------|
| 13 | Concealed bottom hinge PVC, 9 mm, left | — | — | A5025-09-L03 |
| | Concealed bottom hinge PVC, 9 mm, right | — | — | A5025-09-R03 |
| | Concealed bottom hinge PVC, 13 mm, left | — | — | A5025-13-L03 |
| | Concealed bottom hinge PVC, 13 mm, right | — | — | A5025-13-R03 |
| 14 | Concealed bottom sash hinge, 9 mm, left | — | — | A5027-09-L03 |
| | Concealed bottom sash hinge, 9 mm, right | — | — | A5027-09-R03 |
| | Concealed bottom sash hinge, 13 mm, left | — | — | A5027-13-L03 |
| | Concealed bottom sash hinge, 13 mm, right | — | — | A5027-13-R03 |
| 20 | Concealed hinge packer, 13 mm, left | — | — | A7*-13-L03 |
| | Concealed hinge packer, 13 mm, right | — | — | A7*-13-R03 |
| 23a | Lifting plate for double sash, sash part | — | — | A6001-00-N03 |
| 24 | Double-sash gear 1 L=520, 551-750 | — | 551-750 | K1002-04-N03 |
| | Double-sash gear 2 L=720, 751-950 | — | 751-950 | K1002-06-N03 |
| | Double-sash gear 3 L=1200, 951-1430 | — | 951-1430 | K1002-11-N03 |
| | Double-sash gear 4 L=1680, 1431-1910 | — | 1431-1910 | K1002-16-N03 |
| | Double-sash gear 5 L=2160, 1911-2390 | — | 1911-2390 | K1002-21-N03 |
| 27 | Locking plate, integrated slit | — | — | * |
| 29a | Balcony catch for double-sash gear | — | 1911-2390 | A7047-00-N03 |
| 29b | Balcony locking pin | — | — | A7207-00-N03 |
| 30 | Concealed middle hinge, sash part | — | — | A7056-00-N03 |
| 31 | Concealed middle hinge, frame part | — | — | A7057-**-N03 |
| 36 | Extension lock for corner transmission 480 mm, 1 ML | — | — | K4010-00-N03 |
| | Extension lock for corner transmission 680 mm, 1 ML | — | — | K4010-07-N03 |
| | Extension lock for corner transmission 880 mm, 2 ML | — | — | K4010-09-N03 |
| | Extension lock for corner transmission 480 mm, 1 MR | — | — | K4030-00-N03 |
| 38a | Magnetic balcony catch, sash part | — | — | A7055-**-N03 |
| 38b | Magnetic Balcony catch for double-sash gear, frame part | — | — | A7054-00-N03 |
| 39 | Extension lock 240 mm, 1 MR | — | — | K4050-02-N03 |
| | Extension lock 480 mm, 1 MR | — | — | K4050-05-N03 |

* – according to displacement axis of sash groove (9 mm, 10 mm, 13 mm, 14 mm)

** – see the section “Profile-dependent elements” of catalogues KOMFORT LINE K-3 Smart & Quick or ELITE+

AXOR[®]

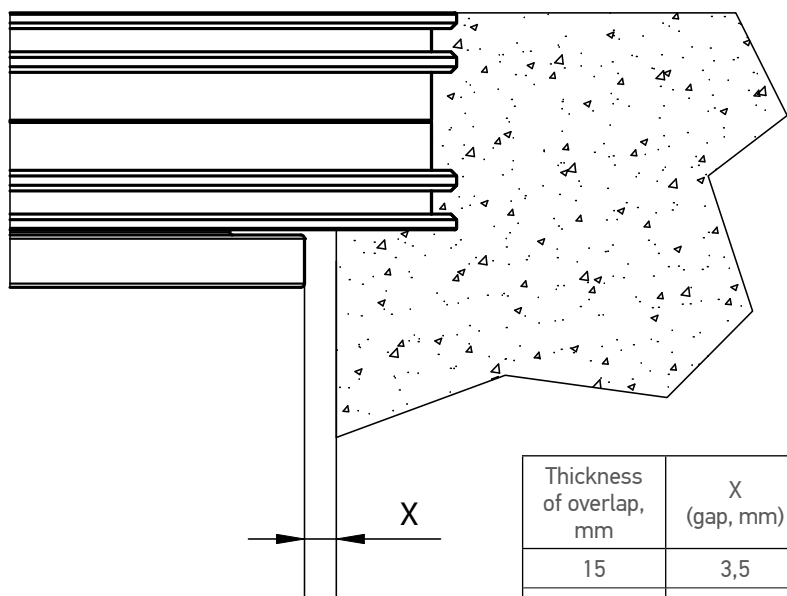
ELITE +

Tools
Installation
Adjustments

AXOR

**Minimum hinges' clearance**

Tools / Installation / Adjustments



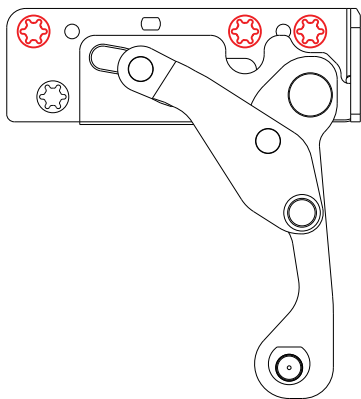
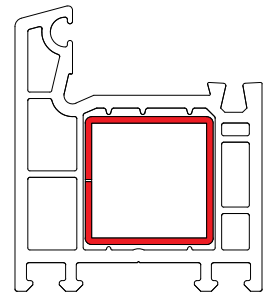
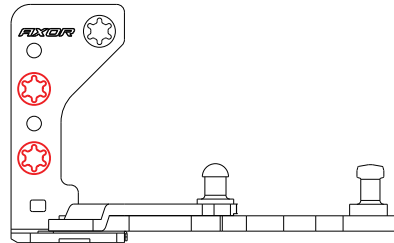
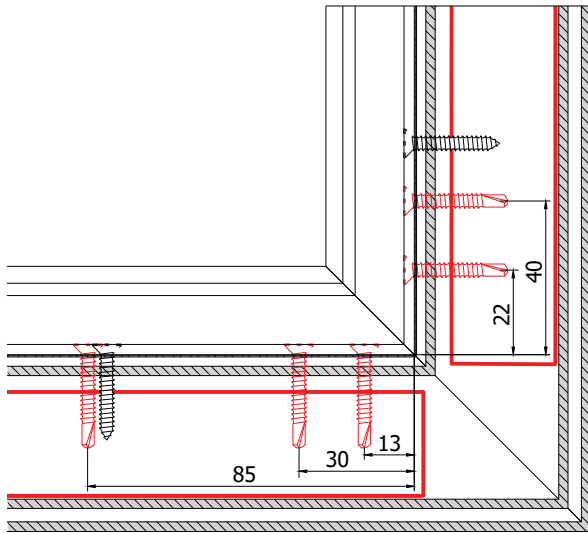
| Thickness of overlap, mm | X (gap, mm) |
|--------------------------|-------------|
| 15 | 3,5 |
| 18 | 5,5 |
| 22 | 8,5 |



Recommendations

Tools / Installation / Adjustments

Recommendations for usage of reinforcing profile in a frame

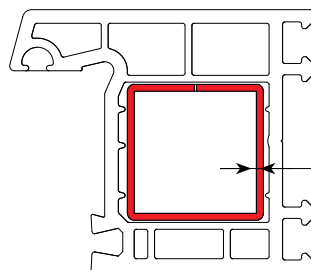


All screws must be installed into the reinforcing profile

Minimum sizes of clearance between a frame and a sash:

- Bottom** min. 12,5 mm
- Top** min. 12 mm
- Left / right** min. 12 mm

For manufacturers of translucent constructions it is recommended to reduce the sash size by 0,5-1 mm in HIGHT (total height rebate 24,5-25 mm) in relation to the sash size with visible hinges (total height rebate 24 mm).



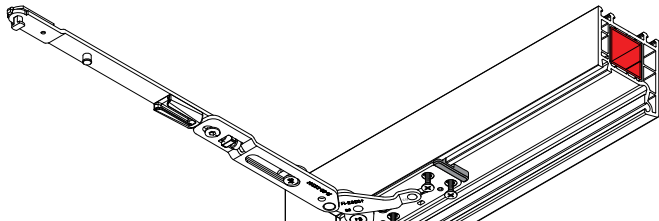
Reinforcing profile - square, thickness min. 2 mm



Hinges' installation

Tools / Installation / Adjustments

Hinges' installation on a frame

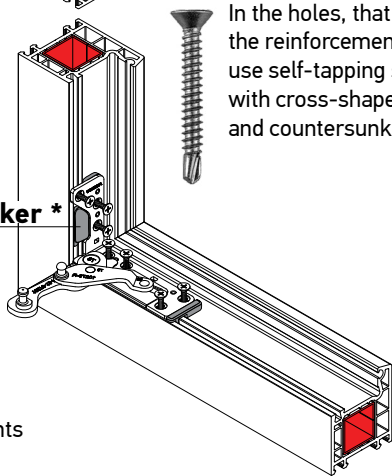


Concealed hinge packer *

1. Install concealed stay arm with the **concealed hinge packer*** to a frame.
2. Fix with screws.

In the holes, that go through the reinforcement steel, use self-tapping screws 4.5 * 38 with cross-shaped slot and countersunk head.

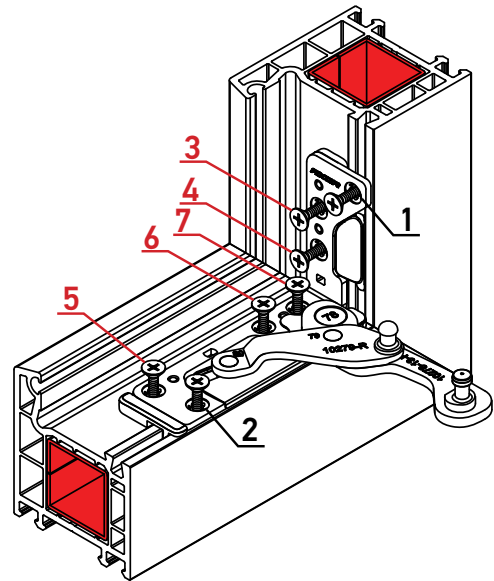
Concealed hinge packer *



* profile-dependent elements

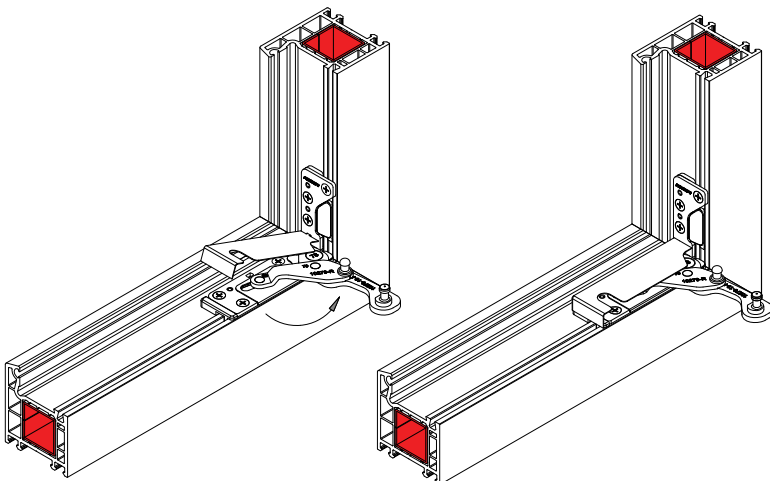
Screwing procedure:

- Screws **1** and **2** for PVC in the groove for glassing bead
- Self-tapping screws **3-7** into reinforcement steel
- Screw the screw **7** with an extended screwdriver bit or a manual screw driver.
- Strictly observe the perpendicular axis when tightening the screws.



Installation of a decorative cover

1. Open the hinge.
2. Install the cover in a hole on vertical part of the hinge.
3. Fasten the cover on horizontal part of the hinge.

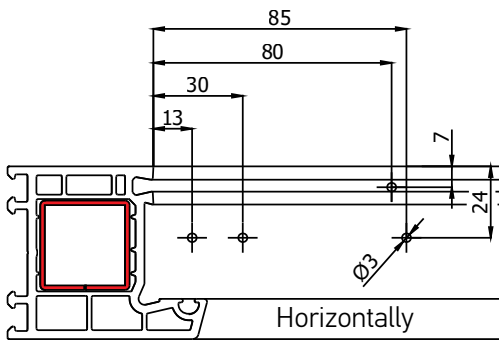
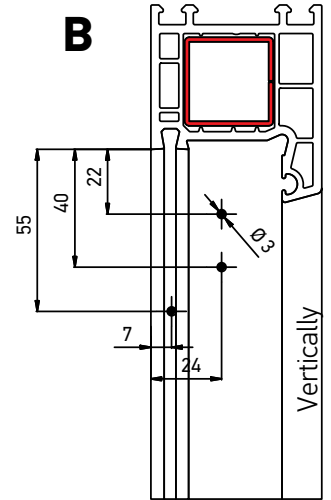
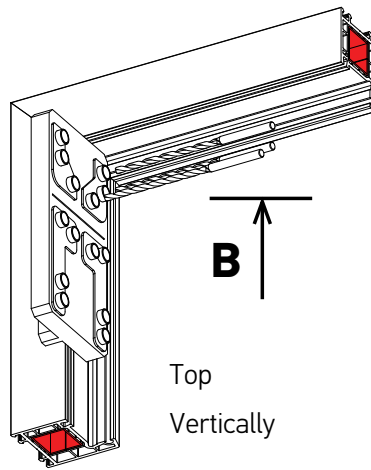
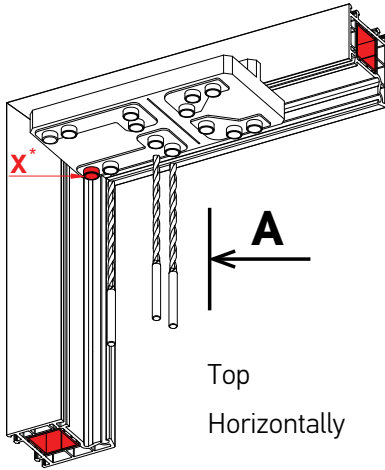




Drilling guidance

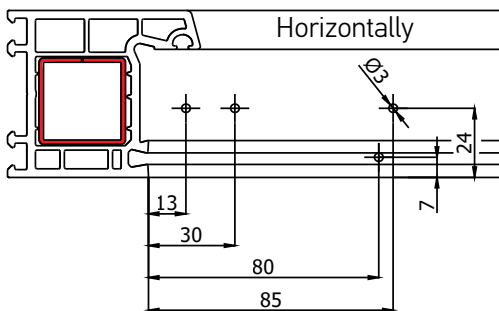
Tools / Installation / Adjustments

Drilling guidance for top and bottom hinges on a frame, on the left

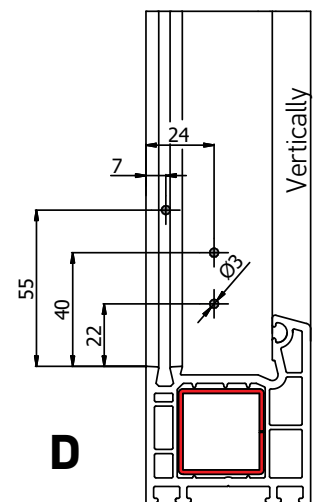
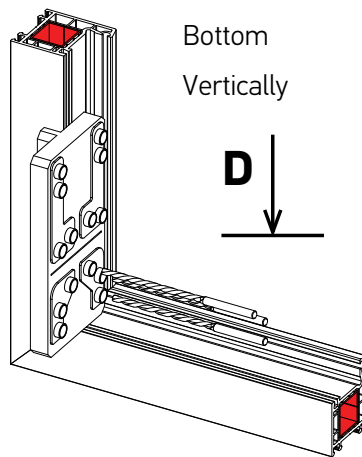
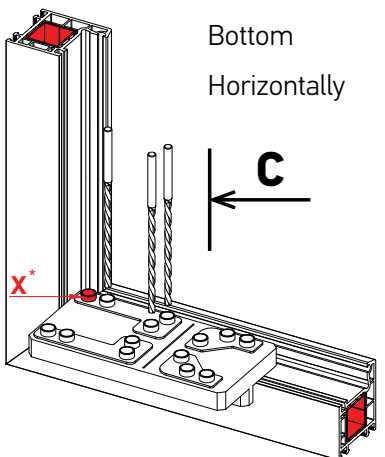
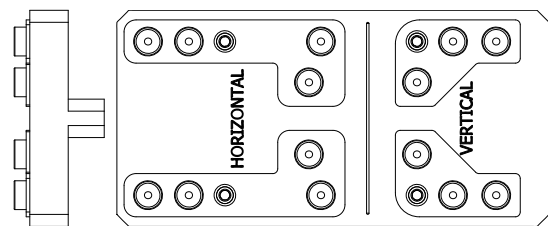


Holes must pass through the reinforcement, except for the marked hole «X»

X* — Do not drill with the drilling template. Screw the screw during hinge installation



Drilling template A7145-02-N03

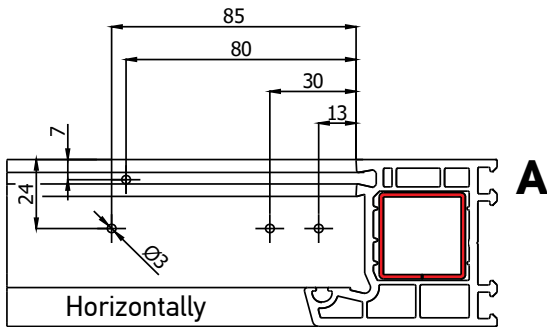
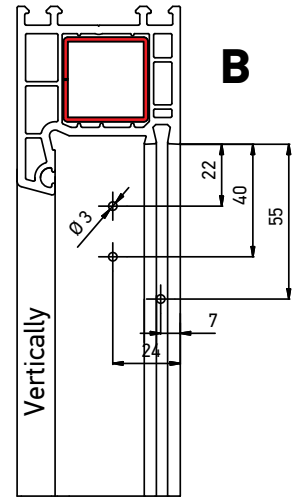
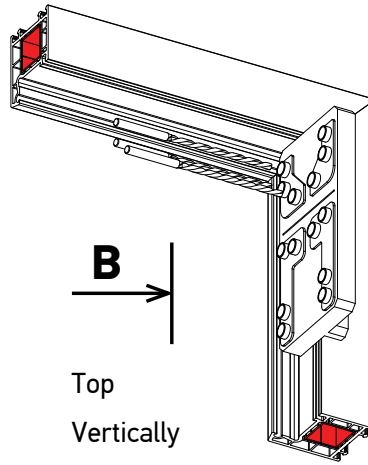
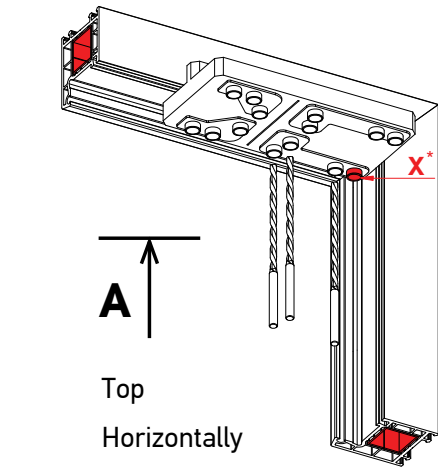




Drilling guidance

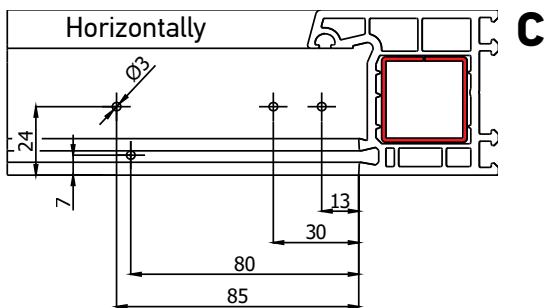
Tools / Installation / Adjustments

Drilling guidance for top and bottom hinges on a frame, on the right

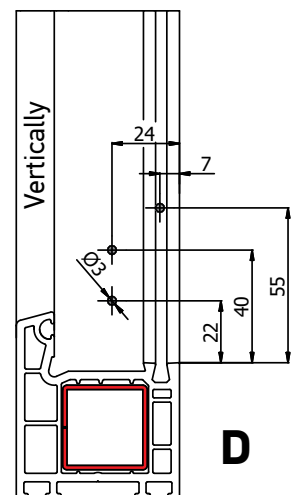
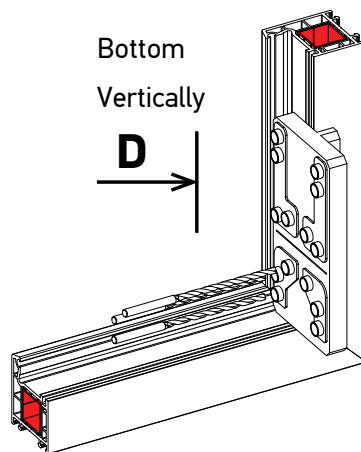
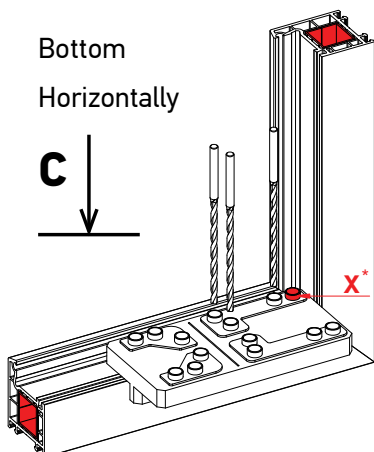
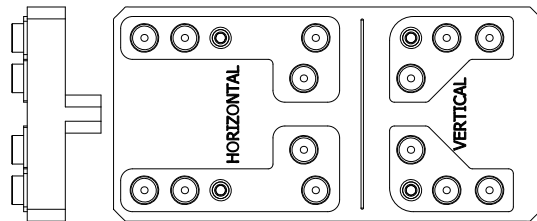


Holes must pass through the reinforcement, except for the marked hole «X»

X* — Do not drill with the drilling template. Screw the screw during hinge installation



Drilling template A7145-02-N03

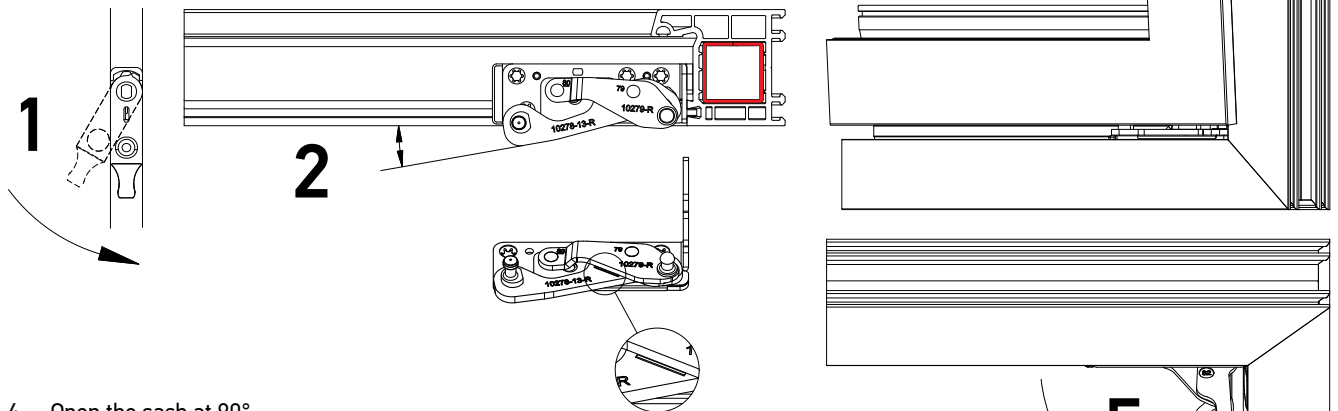




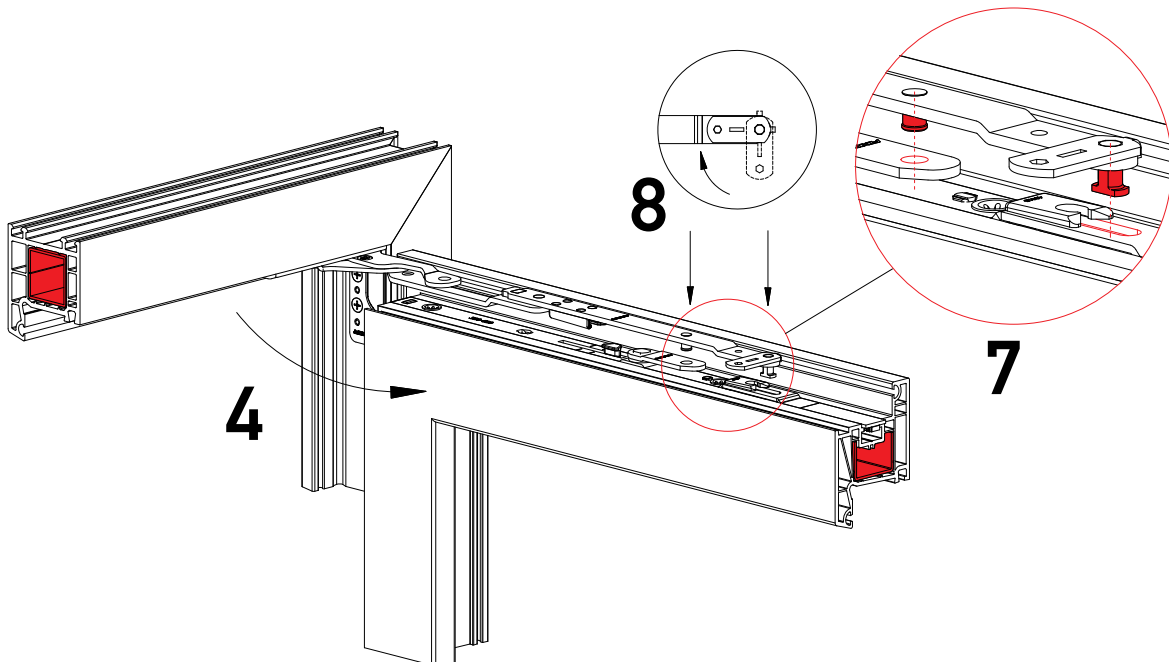
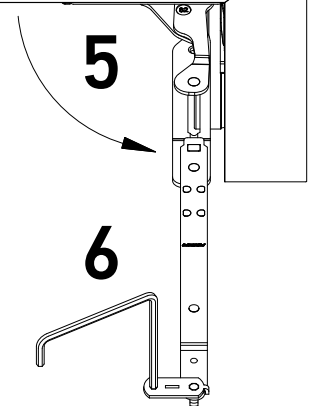
Sash's installation

Tools / Installation / Adjustments

1. Move the wrong operation safety device to the "middle" position and turn a handle to the "tilt" position.
2. Open the concealed bottom hinge at an angle of $\approx 5-10^\circ$, until the mark coincides with the lever.
3. Slightly tilting a sash to install it on the concealed bottom hinge.



4. Open the sash at 90° .
5. Open the concealed stay arm.
6. Turn a locking plate using hex 4mm, until it stops.
7. Connect the concealed stay arm with the concealed stay arm connecting plate and close the locking plate.
8. Block the locking plate on the stay arm.
9. Rotate the handle into the turn position
10. Turn the wrong operation safety device according to direction of opening
11. Close the sash.

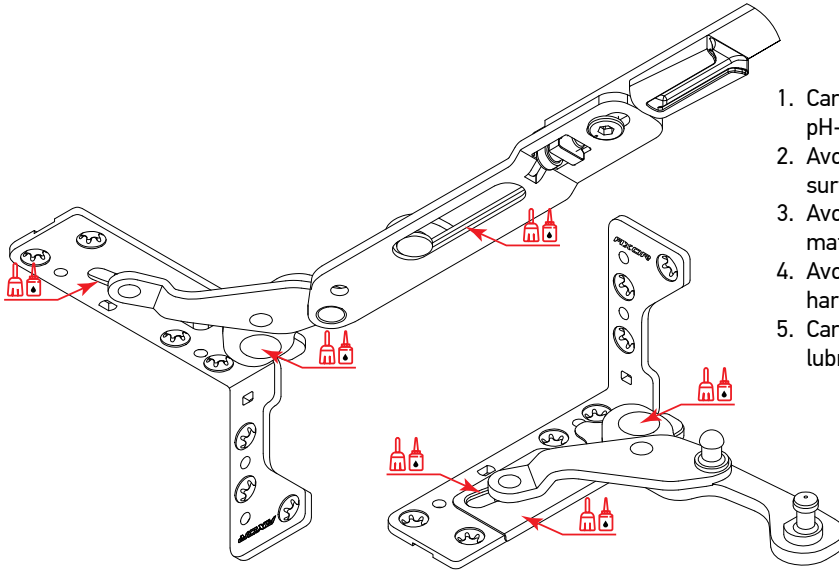




Care of hardware Adjustments

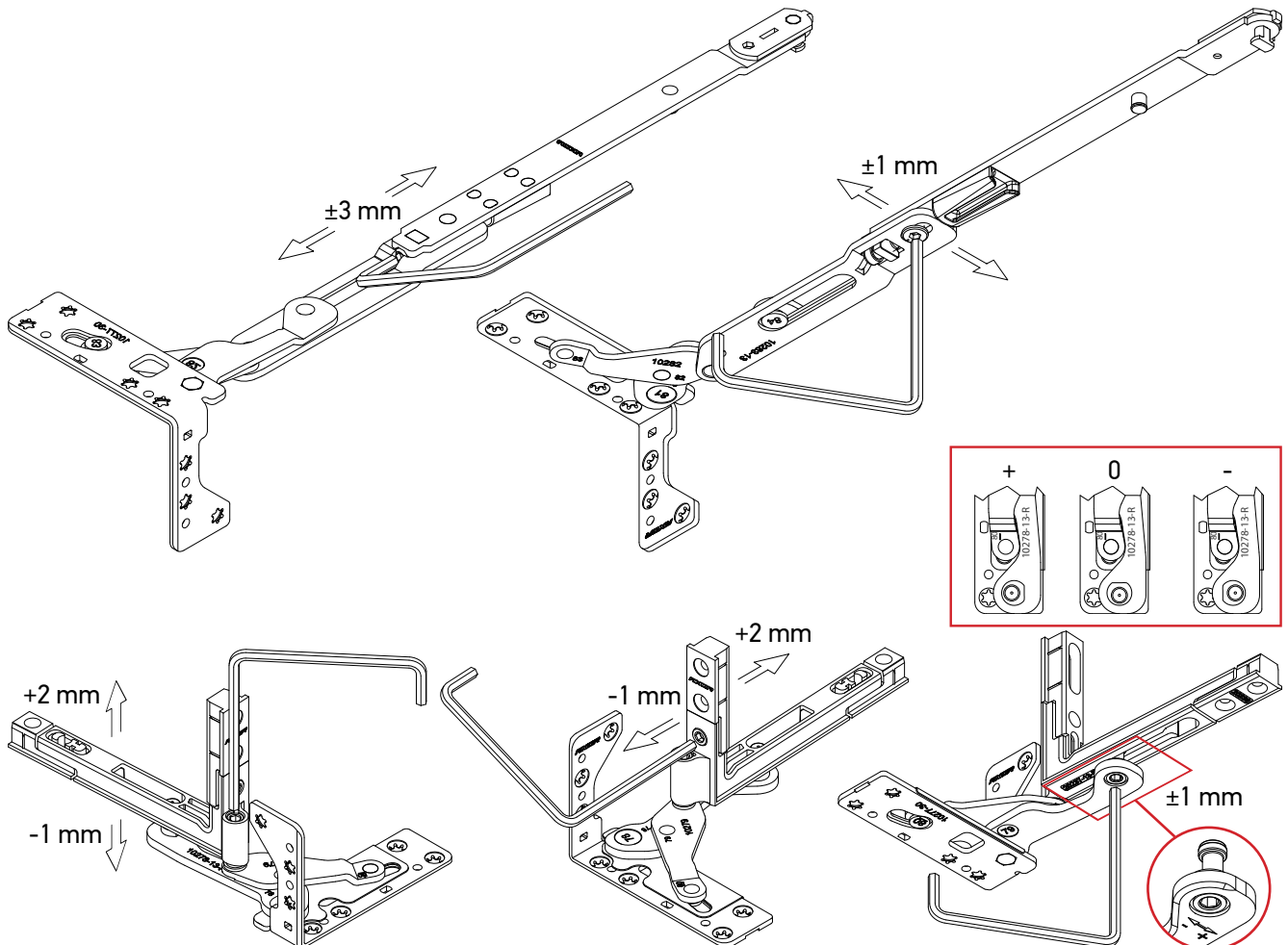
Tools / Installation / Adjustments

For reliable and long-term working of window hardware it is necessary to adhere to simple rules of operation:



1. Carry out cleaning of hardware with pH-neutral means
2. Avoid mechanical damage to elements and their surface
3. Avoid contact of window hardware with building materials
4. Avoid exposure of aggressive acid vapors to window hardware
5. Carry out regularly (1 time per year) cleaning and lubrication of all major components of hardware

Adjustments



AXOR[®]

ELITE +

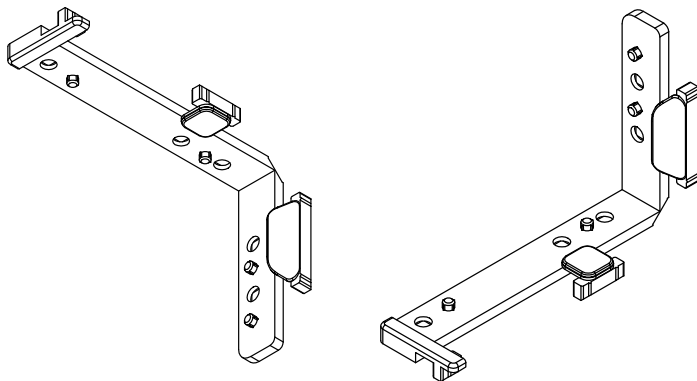
Profile-dependent elements

AXOR

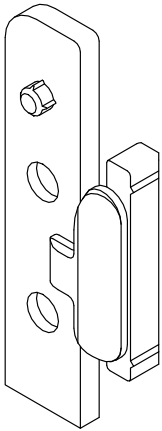


Concealed hinge packer

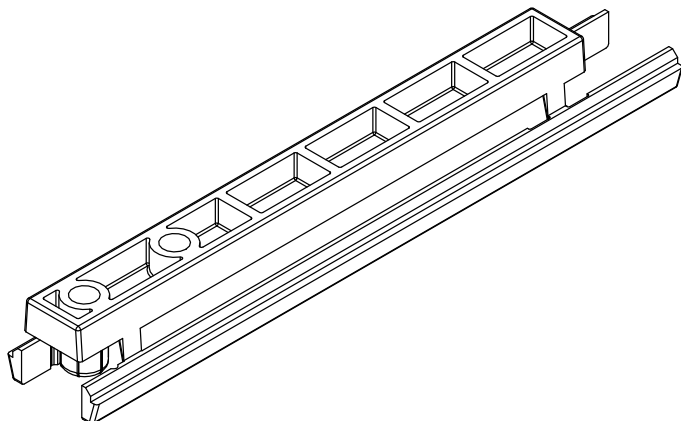
Profile-dependent elements



| Description | Part No. |
|---|----------------|
| Concealed hinge packer, WDS, VEKA, 13 mm, left / right | A7120-13-L/R03 |
| Concealed hinge packer, EUROCELL LOGIC 70 OVALO, 13 mm, left / right | A7121-13-L/R03 |
| Concealed hinge packer, LINIAR, 13 mm, left / right | A7122-13-L/R03 |
| Concealed hinge packer, WINTTECH, 13 mm, left / right | A7123-13-L/R03 |
| Concealed hinge packer, REHAU, 13 mm, left / right | A7124-13-L/R03 |
| Concealed hinge packer, ALUPLAST 2000, 13 mm, left / right | A7125-13-L/R03 |
| Concealed hinge packer, KBE, left / right | A7126-00-L/R03 |
| Concealed hinge packer, ALUPLAST 4000, 13 mm, left / right | A7127-13-L/R03 |
| Concealed hinge packer, DECEUNINCK, 13 mm, left / right | A7128-13-L/R03 |
| Concealed hinge packer, GEALAN S8000, 13 mm, left / right | A7154-13-L/R03 |
| Concealed hinge packer, SALAMANDER 3D, 13 mm, left / right | A7155-13-L/R03 |
| Concealed hinge packer, DECEUNINCK ZENDOW/LEGEND, 13 mm, left / right | A7156-13-L/R03 |
| Concealed hinge packer, SALAMANDER bluEvolution, 13 mm, left / right | A7157-13-L/R03 |



| Description | Part No. |
|--|----------------|
| Concealed hinge packer for aluminium doorstep WDS, VEKA, 13 mm, left / right | A7221-13-L/R03 |
| Concealed hinge packer for aluminium doorstep KBE, 13 mm, left / right | A7222-13-L/R03 |
| Concealed hinge packer for aluminium doorstep ALUPLAST 4000, 13 mm, left / right | A7223-13-L/R03 |



Description

Cover of concealed hinge for aluminium doorstep

Part No.

A7205-00-N03



AXOR INDUSTRY
32, Pratsi Avenue,
Dnipro, 49041, Ukraine
www.axorindustry.com