

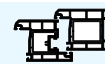
AXOR[®]

INTENT

Hardware for sliding systems



www.axorindustry.com



Content

■ SMART GLIDE TECH

1.1 Introduction.....	4
1.2 Hardware sets	10
1.3 Smart Glide Tech system elements.....	20
1.4 Perimeter strapping elements	25
1.5 Installation, adjustments, jigs	33



SECTION 1

INTENT  SMART GT

**SLIDING SYSTEM
OF THE NEW GENERATION**

SMART GLIDE TECH system

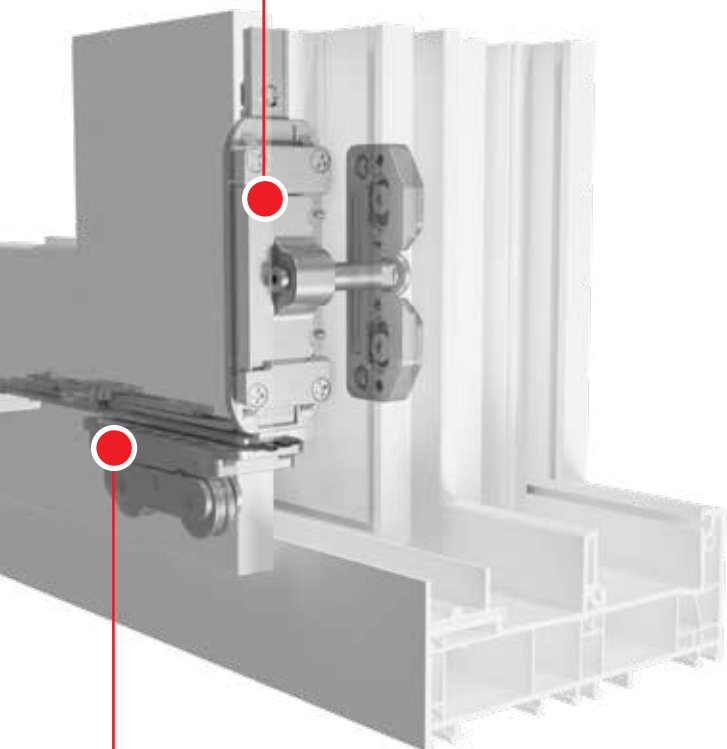
AXOR Intent Smart Glide Tech is ideal for large PVC constructions because, unlike lift-and-slide systems, you don't need to lift the sash to move it. The system is arranged in such a way that when the handle is lifted up, the sash independently moves away from the frame by 6 mm, after which a light push to the side is enough for the sash weighing up to 200 kg to open smoothly. There is no need to lift a heavy structure for sliding, and friction during closing is minimized, so that no

extra effort is required to operate the system. Such hardware are best fitted for open facades and winter gardens, as they are highly airtight and provide easy opening of large and heavy sashes.

AXOR Intent Smart Glide Tech hardware allow the production of PVC structures with a width of up to 1790 mm and a height of up to 2390 mm. In addition, it provides high thermal insulation and waterproofing.



Side lock + locking plate
The main locking element from the mullion side.



Running mechanism (bogie) with built-in ball bearings for better gliding.

Comfortable



AXOR Intent Smart Glide Tech combines smooth movement with intuitive control. Thanks to the running mechanisms (bogies), the movement of even large and heavy sashes is extremely smooth and easy. Built-in ball bearings minimize friction, which ensures easy and reliable operation of the system. In addition, it provides high thermal insulation and waterproofing.

Impermeable

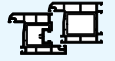


A continuous sealing circuit and a large number of pressure points guarantee maximum tightness of the system. Closed, the system reliably protects against street noise, torrential rain and gale force winds. This makes it ideal for high-rise buildings, open terraces and winter gardens.

Secure

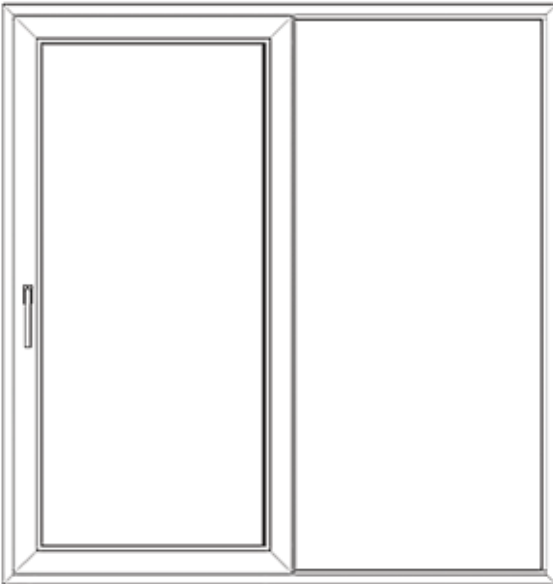


AXOR Intent Smart Glide Tech reliably protects premises from thieves. The structure, equipped with mushroom locking pins paired with security locking plates, ensures a consistently high break-resistance of windows and doors.

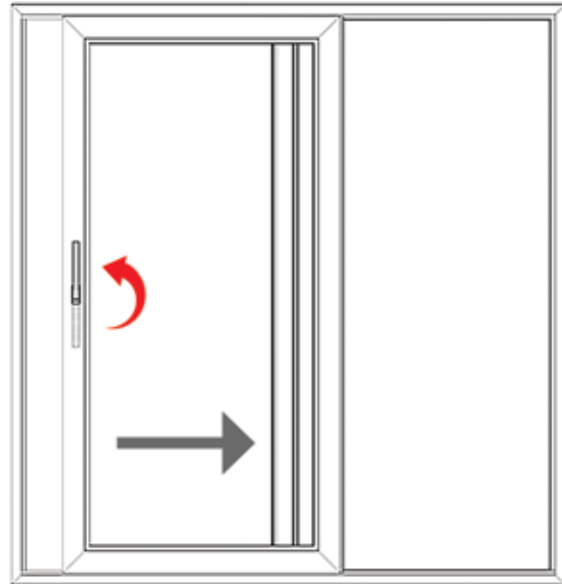


The principle of opening structures

The sash is closed

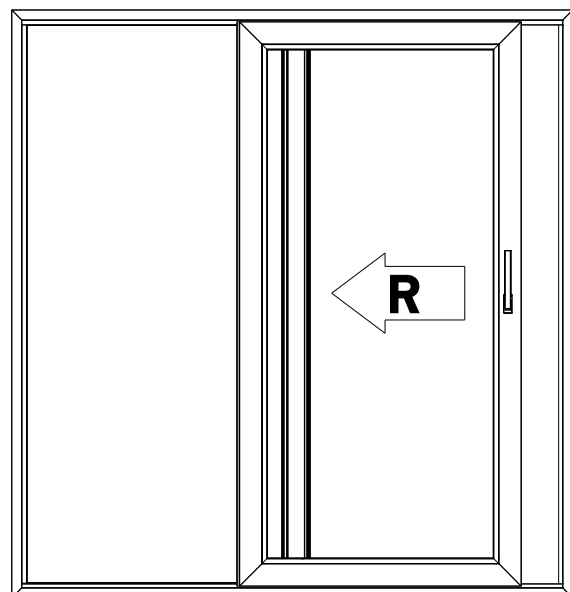
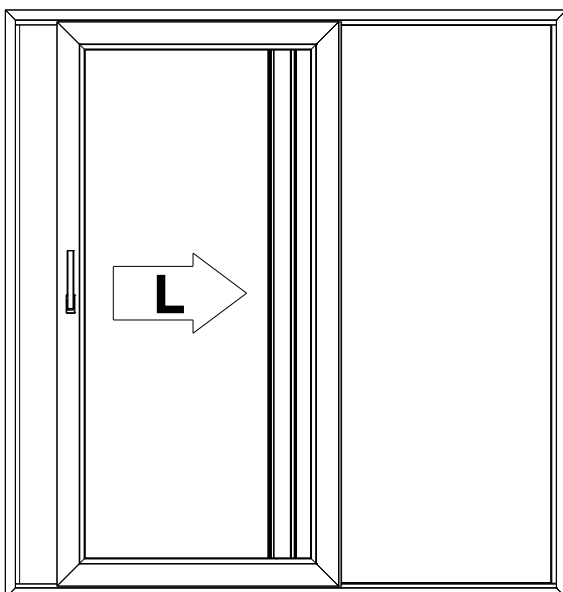


The sash is opened



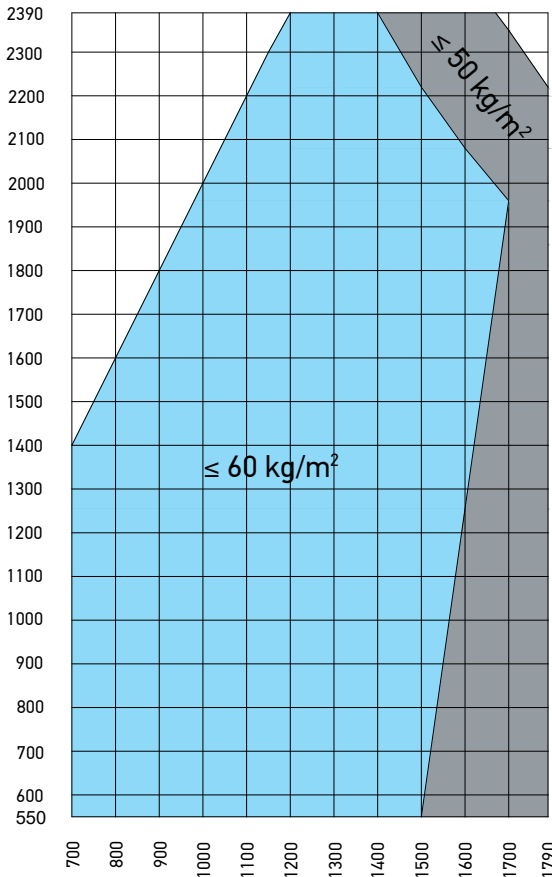
When the handle is lifted up, the sash moves away from the frame by 6 mm, after which it can be pushed to the side.

Direction of structures opening



Application range diagram

SRH



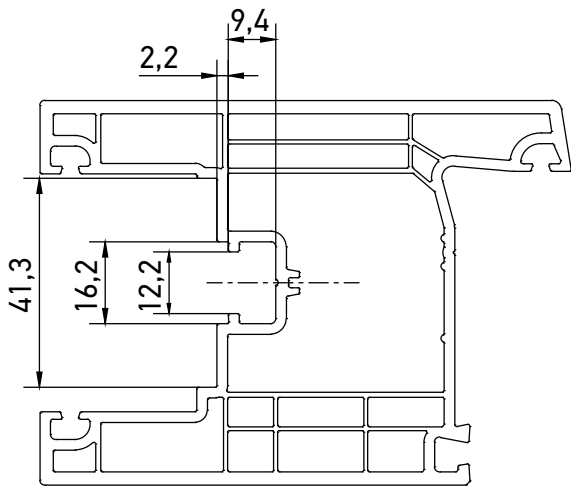
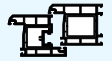
Correlation SRH:SRW = max 2:1
The maximum sash weight is up to 200 kg

SRH - sash rebate height
 SRW - sash rebate width

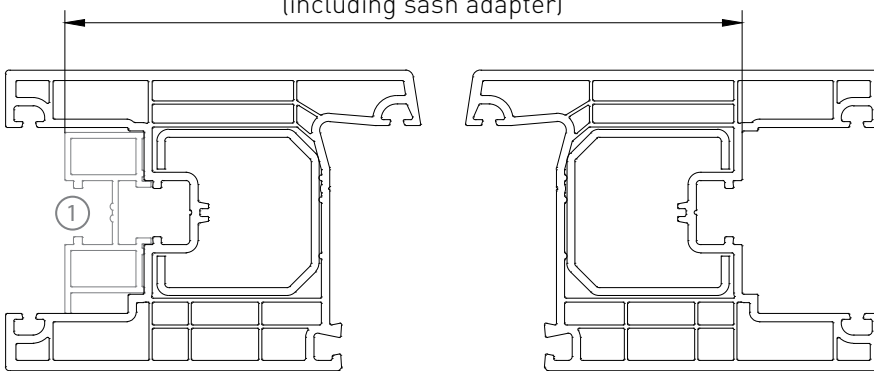
SRW

SPECIFICATIONS		
The weight of the sash	200 kg	
Sash rebate width (SRW)	(700*) 800-1790 mm	Correlation SRH:SRW = max 2:1
Sash rebate height (SRH)	550-2390 mm	
Profiles	Aluplast Smart-Slide Aluplast neo WDS 76 SL REHAU Synego (Intelio) Slide Sonarol Decco Slide	

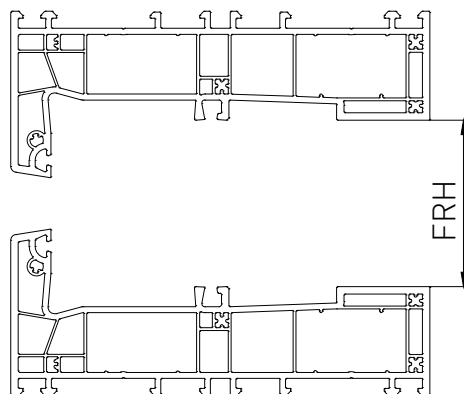
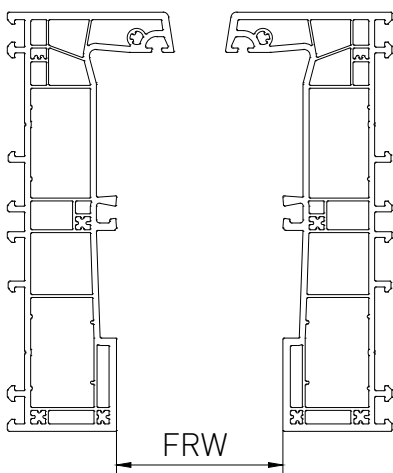
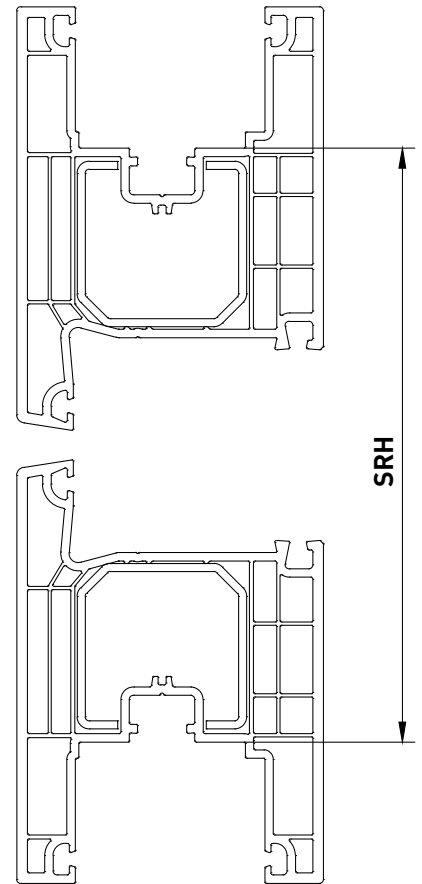
* special middle connection



SRW
(including sash adapter)



1 - sash adapter



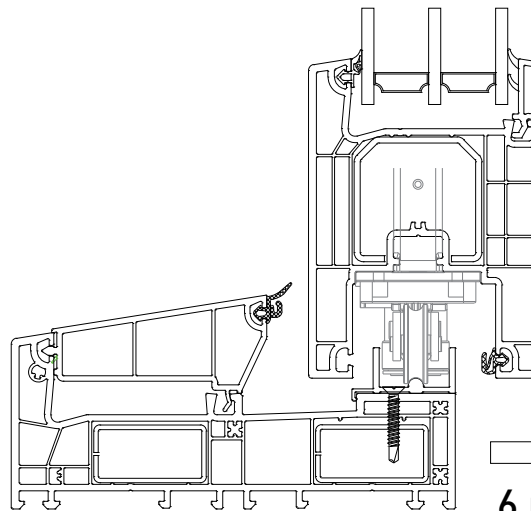
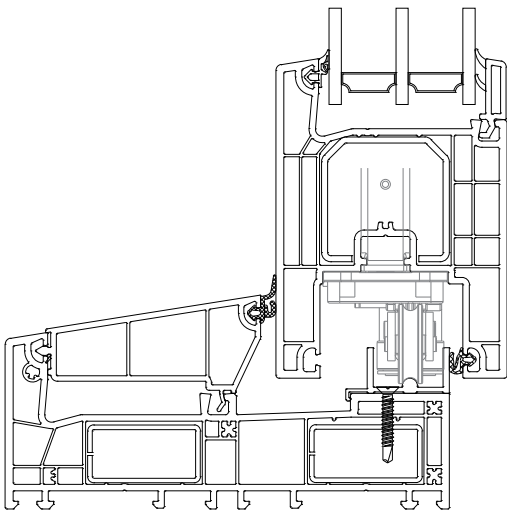
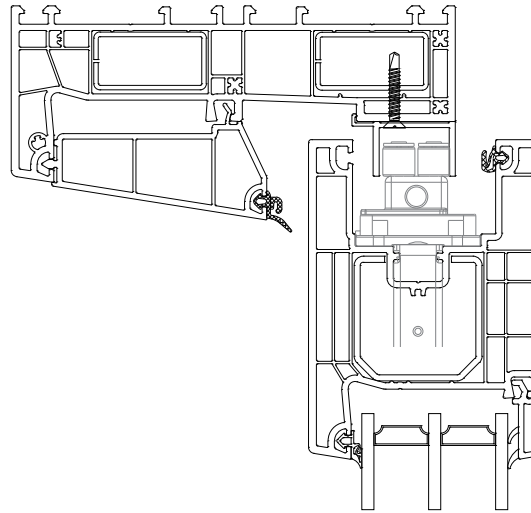
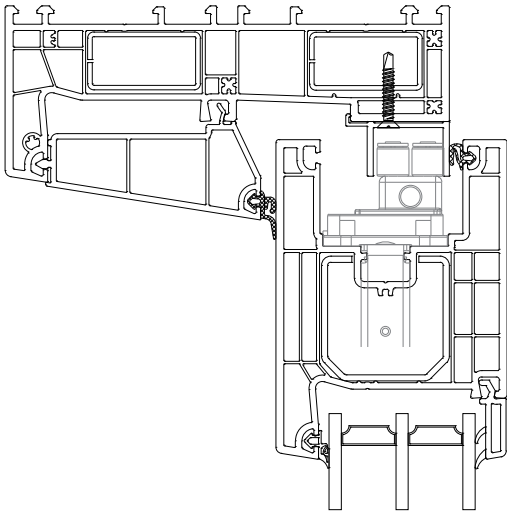
- SRH - sash rebate height
- SRW - sash rebate width
- FRH - frame rebate height
- FRW - frame rebate width



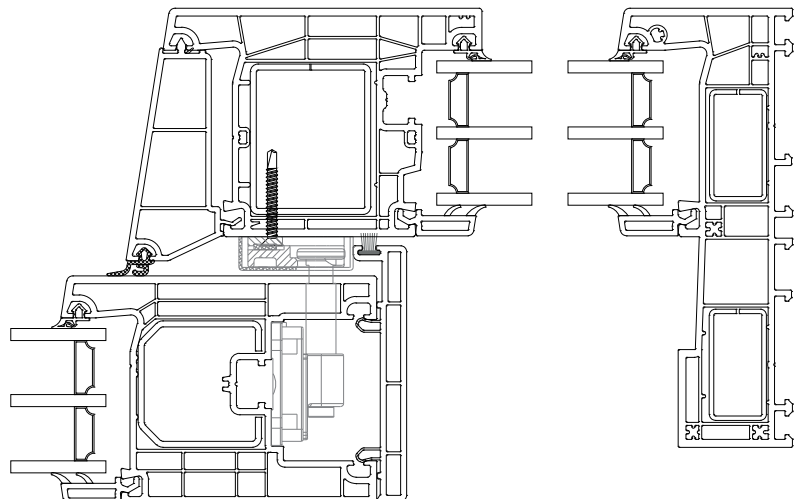
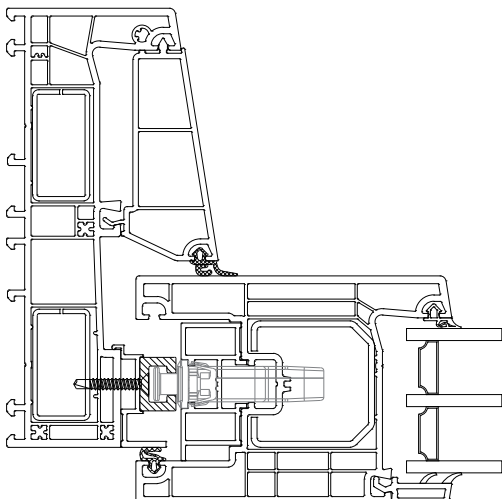
Vertical cross-section

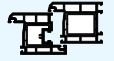
Close

Open

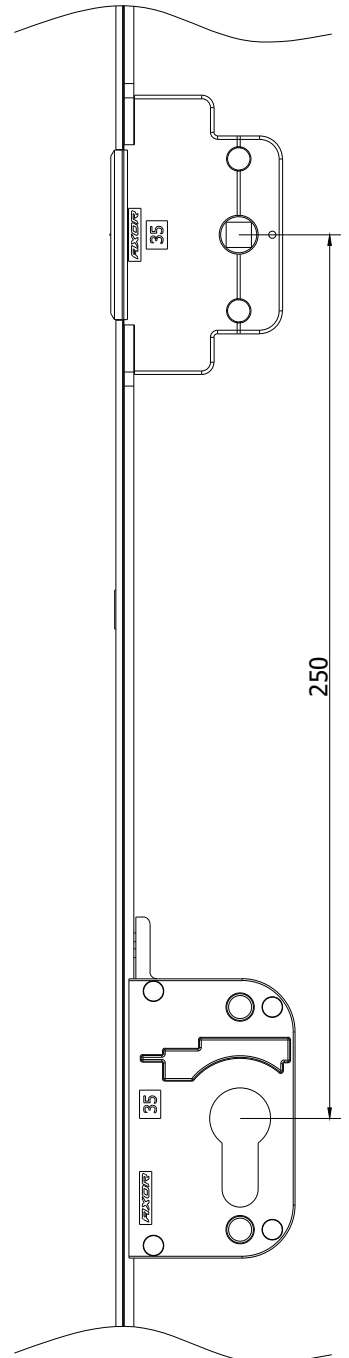
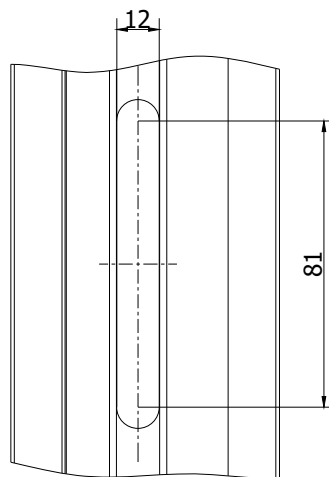
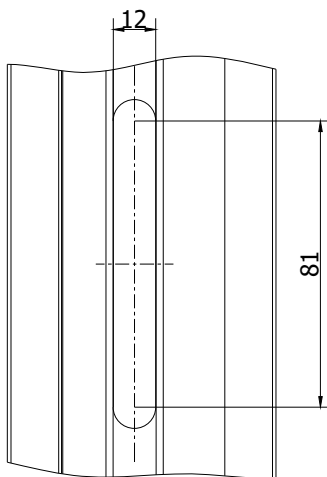
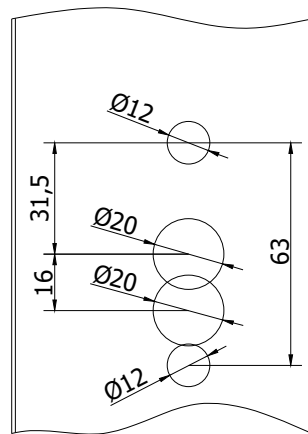
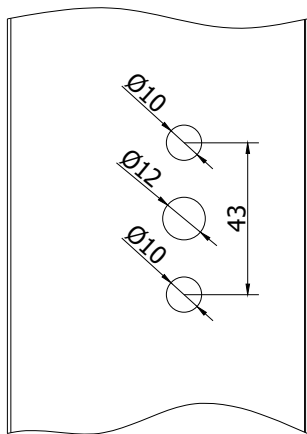
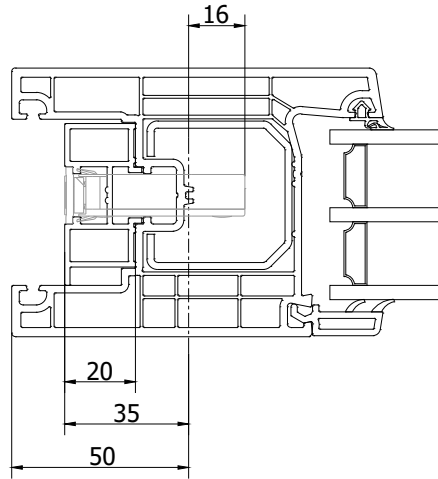
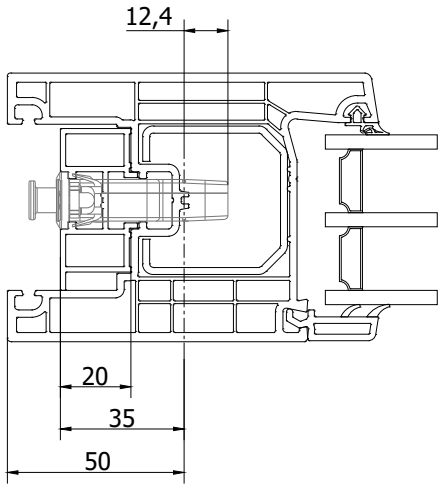


Horizontal cross-section

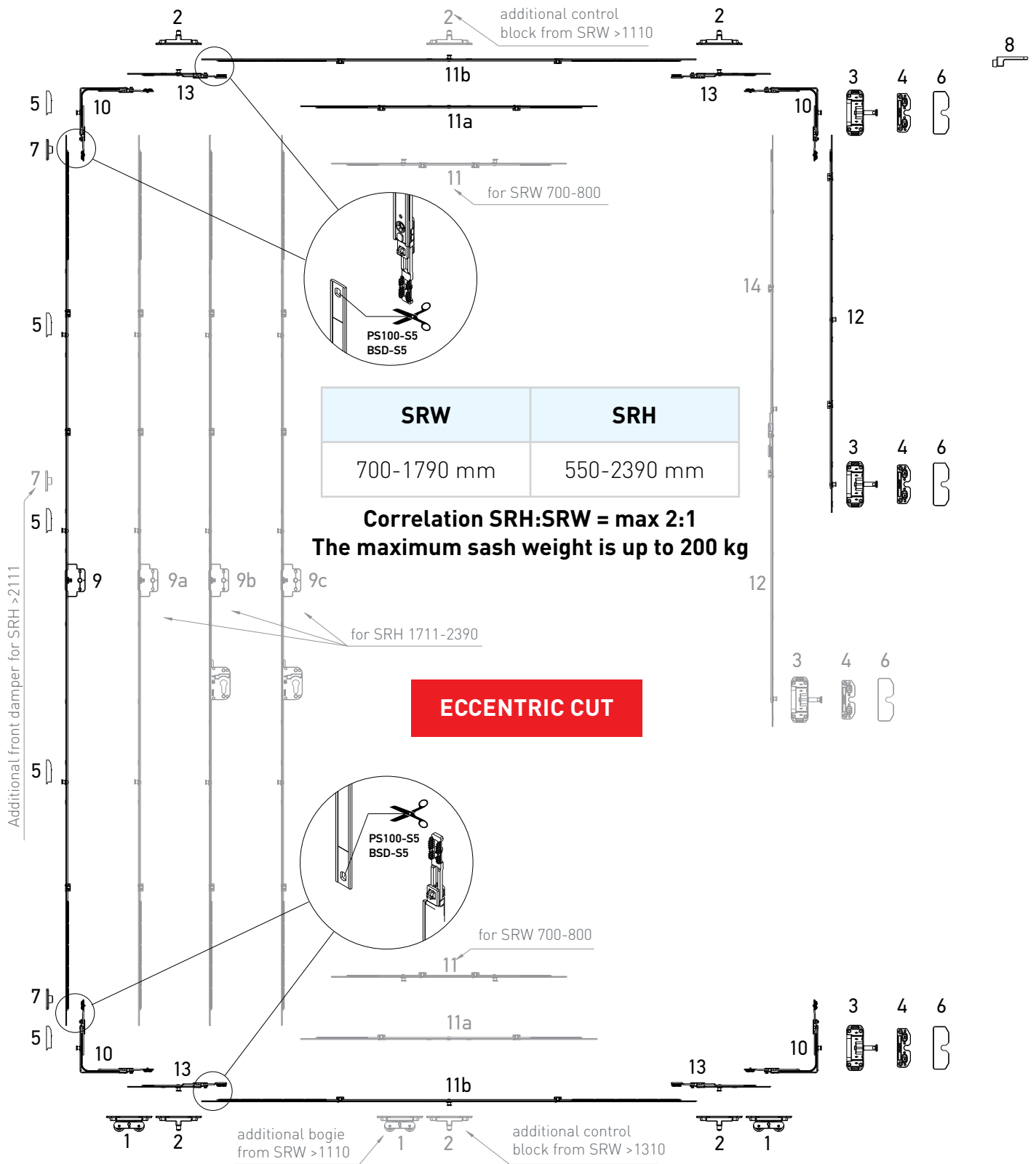




Drilling and milling a sash for 35-mm backset gear



**SMART GLIDE TECH hardware set,
(position of the handle in the center)**





SMART GLIDE TECH hardware set, (position of the handle in the center)

					WIDTH				
		Nº	Part number	Description	700-800	801-910	911-1110	1111-1310	1311-1790
Main set	8	I7010-00-N03	Opened position stopper		1	1	1	1	1
	10	K2025-00-N03	Corner transmission, 115x115, 1 MR		4	4	4	4	4
	2	I7007-00-L03/R03	Control block, left / right		4	4	4	5	6
	1	I7006-00-N03	Bogie		2	2	2	3	3
Horizontal extension locks	13	K4050-01-N03	Extension lock 180 mm, 1 MR		0	4	4	4	4
	11	K4069-06-N03	Middle connection for sliding system, L = 570, 700-800, 2 MR		2	0	0	0	0
	11a	K4068-03-N03	Middle connection, L = 320, without ML		0	2	0	0	0
	11a	K4068-05-N03	Middle connection, L = 520, without ML		0	0	2	0	0
	11a	K4068-07-N03	Middle connection, L = 720, without ML		0	0	0	1	0
	11b	K4033-07-N03	Middle connection, L = 720, 1 MR		0	0	0	1	0
	11b	K4033-11-N03	Middle connection, L = 1200, 1 MR		0	0	0	0	2
550-750	9	K1054-04-N03	Gear variable L=520, 551-750, backset 35 mm		1	1	1	1	1
	3	I7008-00-L03/R03	Side lock, left / right		2	2	2	2	2
	4	I7009-00-N03	Side locking plate		2	2	2	2	2
	6	I7100-00-N0*	Cover of side locking plate, sliding system		2	2	2	2	2
	5	I7012-00-N03	Locking plate, slyding system		2	2	2	2	2
	7	I7011-00-N03	Front damper		2	2	2	2	2
	751-1200	9	K1054-09-N03	Gear variable L=1000, 751-1230, 1 MR, backset 35 mm		1	1	1	1
3		I7008-00-L03/R03	Side lock, left / right		2	2	2	2	2
4		I7009-00-N03	Side locking plate		2	2	2	2	2
6		I7100-00-N0*	Cover of side locking plate, sliding system		2	2	2	2	2
5		I7012-00-N03	Locking plate, slyding system		3	3	3	3	3
7		I7011-00-N03	Front damper		2	2	2	2	2
1201-1430		9	K1054-11-N03	Gear variable L=1200, 950-1430, 1 MR, backset 35 mm		1	1	1	1
	3	I7008-00-L03/R03	Side lock, left / right		3	3	3	3	3
	4	I7009-00-N03	Side locking left plate		3	3	3	3	3
	6	I7100-00-N0*	Cover of side locking plate, sliding system		3	3	3	3	3
	5	I7012-00-N03	Locking plate, slyding system		3	3	3	3	3
	7	I7011-00-N03	Front damper		2	2	2	2	2
	12	K4054-05-N03	Extension lock 480 mm, 1 MR		1	1	1	1	1
1431-1710	9	K1054-14-N03	Gear variable L=1480, 1231-1710, 2 MR, backset 35 mm		1	1	1	1	1
	3	I7008-00-L03/R03	Side lock, left / right		3	3	3	3	3
	4	I7009-00-N03	Side locking plate		3	3	3	3	3
	6	I7100-00-N0*	Cover of side locking plate, sliding system		3	3	3	3	3
	5	I7012-00-N03	Locking plate, slyding system		4	4	4	4	4
	7	I7011-00-N03	Front damper		2	2	2	2	2
	12	K4054-07-N03	Extension lock L=680, 1 MR		1	1	1	1	1

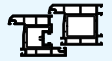


		WIDTH						
		700-800	801-910	911-1110	1111-1310	1311-1790		
HEIGHT	Nº	Part number	Description					
	1711-1910	9	K1054-16-N03	Gear variable L=1680, 1431-1910, 2 MR, backset 35 mm	1	1	1	1
9a		K1094-16-N03	Gear variable L=1680, 1431-1910, 2 MR, backset 35 mm, 2-side handle	1	1	1	1	1
9b		K1095-16-N03	Gear variable L=1680, 1431-1910, 2 MR, backset 35 mm, lockable 250 mm	1	1	1	1	1
9c		K1096-16-N03	Gear variable L=1680, 1431-1910, 2 MR, backset 35 mm, lockable 250 mm, 2-side handle	1	1	1	1	1
3		I7008-00-L03/R03	Side lock, left / right	3	3	3	3	3
4		I7009-00-N03	Side locking plate	3	3	3	3	3
6		I7100-00-N0*	Cover of side locking plate, sliding system	3	3	3	3	3
5		I7012-00-N03	Locking plate, slyding system	4	4	4	4	4
7		I7011-00-N03	Front damper	2	2	2	2	2
12		K4054-09-N03	Extension lock L=880, 2 MR	1	1	1	1	1
1911-2110	9	K1054-21-N03	Gear variable L=2160, 1911-2390, 3 MR, backset 35 mm	1	1	1	1	1
	9a	K1094-21-N03	Gear variable L=2160, 1911-2390, 3 MR, backset 35 mm, 2-side handle	1	1	1	1	1
	9b	K1095-21-N03	Gear variable L=2160, 1911-2390, 3 MR, backset 35 mm, lockable 250 mm	1	1	1	1	1
	9c	K1096-21-N03	Gear variable L=2160, 1911-2390, 3 MR, backset 35 mm, lockable 250 mm, 2-side handle	1	1	1	1	1
	3	I7008-00-L03/R03	Side lock, left / right	3	3	3	3	3
	4	I7009-00-N03	Side locking plate	3	3	3	3	3
	6	I7100-00-N0*	Cover of side locking plate, sliding system	3	3	3	3	3
	5	I7012-00-N03	Locking plate, slyding system	5	5	5	5	5
	7	I7011-00-N03	Front damper	2	2	2	2	2
	12	K4054-09-N03	Extension lock L=880, 2 MR	1	1	1	1	1
2111-2390	9	K1054-21-N03	Gear variable L=2160, 1911-2390, 3 MR, backset 35 mm	1	1	1	1	1
	9a	K1094-21-N03	Gear variable L=2160, 1911-2390, 3 MR, backset 35 mm, 2-side handle	1	1	1	1	1
	9b	K1095-21-N03	Gear variable L=2160, 1911-2390, 3 MR, backset 35 mm, lockable 250 mm	1	1	1	1	1
	9c	K1096-21-N03	Gear variable L=2160, 1911-2390, 3 MR, backset 35 mm, lockable 250 mm, 2-side handle	1	1	1	1	1
	3	I7008-00-L03/R03	Side lock, left / right	4	4	4	4	4
	4	I7009-00-N03	Side locking plate	4	4	4	4	4
	6	I7100-00-N0*	Cover of side locking plate, sliding system	4	4	4	4	4
	5	I7012-00-N03	Locking plate, slyding system	5	5	5	5	5
	7	I7011-00-N03	Front damper	3	3	3	3	3
	12	K4054-07-N03	Extension lock L=680, 1 MR	1	1	1	1	1
14	K4071-07-N03	Extension lock L=720, 1 MR, without possibility to cut	1	1	1	1	1	

* color: N01 - white RAL9016
 N02 - brown RAL8022
 N03 - silver
 N05 - golden
 N06 - bronze
 N07 - black RAL9005
 N09 - anthracite gray RAL7016

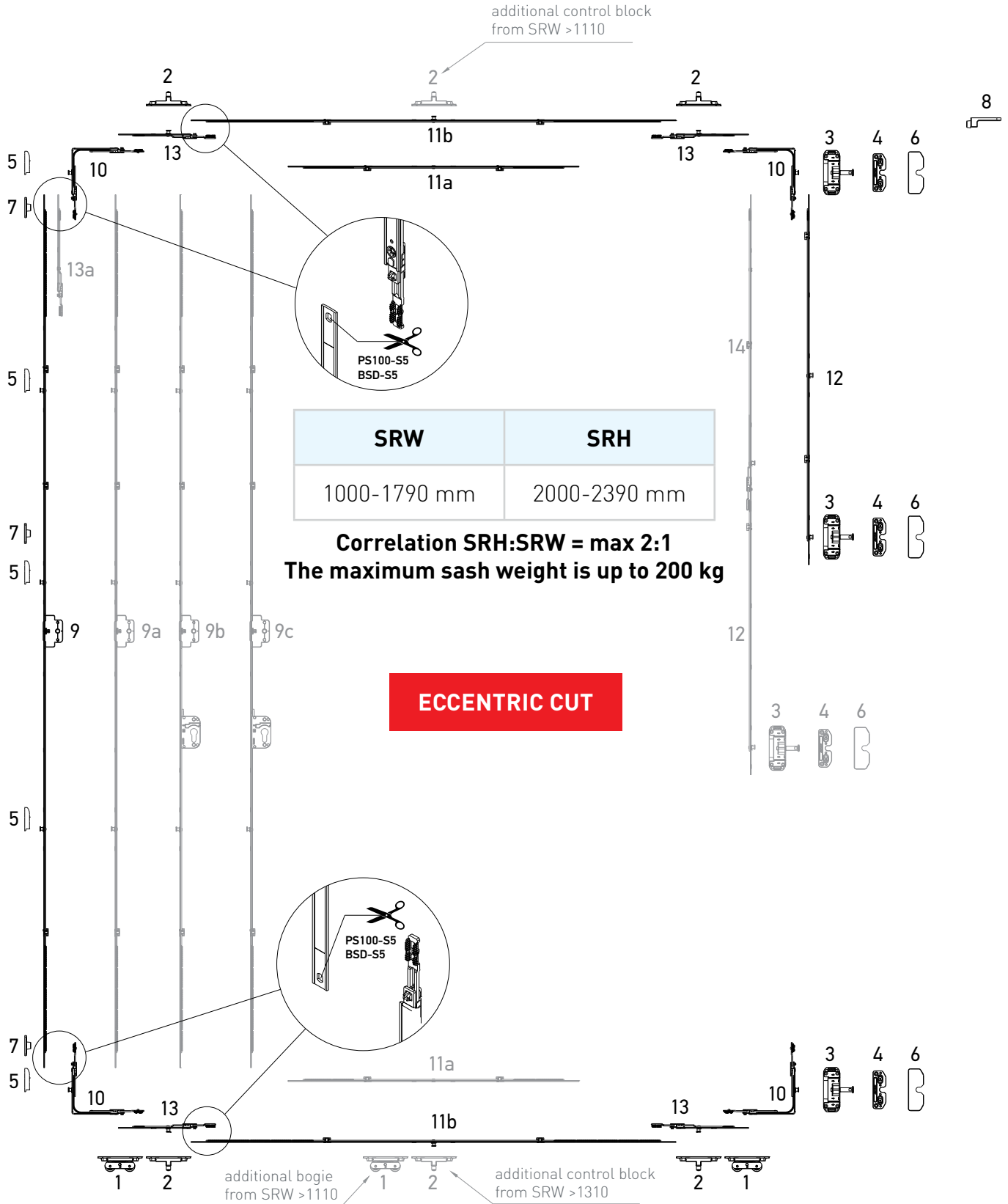
SMART GT

Section 1.2



Hardware sets

**SMART GLIDE TECH hardware set
(handle position G=1000)**





SMART GLIDE TECH hardware set (handle position G=1000)

				WIDTH		
				1000-1110	1111-1310	1311-1790
	Nº	Part number	Description			
Main set	8	I7010-00-N03	Opened position stopper	1	1	1
	10	K2025-00-N03	Corner transmission, 115x115, 1 MR	4	4	4
	2	I7007-00-L03/R03	Control block, left / right	4	5	6
	1	I7006-00-N03	Bogie	2	3	3
Horizontal extension locks	13	K4050-01-N03	Extension lock 180 mm, 1 MR	4	4	4
	11a	K4068-05-N03	Middle connection, L = 520, without ML	2	0	0
	11a	K4068-07-N03	Middle connection, L = 720, without ML	0	1	0
	11b	K4033-07-N03	Middle connection, L = 720, 1 MR	0	1	0
	11b	K4033-11-N03	Middle connection, L = 1200, 1 MR	0	0	2
2000-2195	9	K1054-21-N03	Gear variable L=2160, 1911-2390, 3 MR, backset 35 mm	1	1	1
	9a	K1094-21-N03	Gear variable L=2160, 1911-2390, 3 MR, backset 35 mm, 2-side handle	1	1	1
	9b	K1095-21-N03	Gear variable L=2160, 1911-2390, 3 MR, backset 35 mm, lockable 250 mm	1	1	1
	9c	K1096-21-N03	Gear variable L=2160, 1911-2390, 3 MR, backset 35 mm, lockable 250 mm, 2-side handle	1	1	1
	3	I7008-00-L03/R03	Side lock, left / right	3	3	3
	4	I7009-00-N03	Side locking plate	3	3	3
	6	I7100-00-N0*	Cover of side locking plate, sliding system	3	3	3
	5	I7012-00-N03	Locking plate, sliding system	5	5	5
	7	I7011-00-N03	Front damper	2	2	2
	12	K4054-09-N03	Extension lock L=880, 2 MR	1	1	1
2196-2390	9	K1054-21-N03	Gear variable L=2160, 1911-2390, 3 MR, backset 35 mm	1	1	1
	9a	K1094-21-N03	Gear variable L=2160, 1911-2390, 3 MR, backset 35 mm, 2-side handle	1	1	1
	9b	K1095-21-N03	Gear variable L=2160, 1911-2390, 3 MR, backset 35 mm, lockable 250 mm	1	1	1
	9c	K1096-21-N03	Gear variable L=2160, 1911-2390, 3 MR, backset 35 mm, lockable 250 mm, 2-side handle	1	1	1
	3	I7008-00-L03/R03	Side lock, left / right	4	4	4
	4	I7009-00-N03	Side locking plate	4	4	4
	6	I7100-00-N0*	Cover of side locking plate, sliding system	4	4	4
	5	I7012-00-N03	Locking plate, sliding system	5	5	5
	7	I7011-00-N03	Front damper	3	3	3
	12	K4054-07-N03	Extension lock L=680, 1 MR	1	1	1
	13a	K4057-02-N03	Extension lock L=240, without ML	1	1	1
	14	K4071-07-N03	Extension lock L=720, 1 MR, without possibility to cut	1	1	1

* color: N01 - white RAL9016
 N02 - brown RAL8022
 N03 - silver
 N05 - golden
 N06 - bronze
 N07 - black RAL9005
 N09 - anthracite gray RAL7016

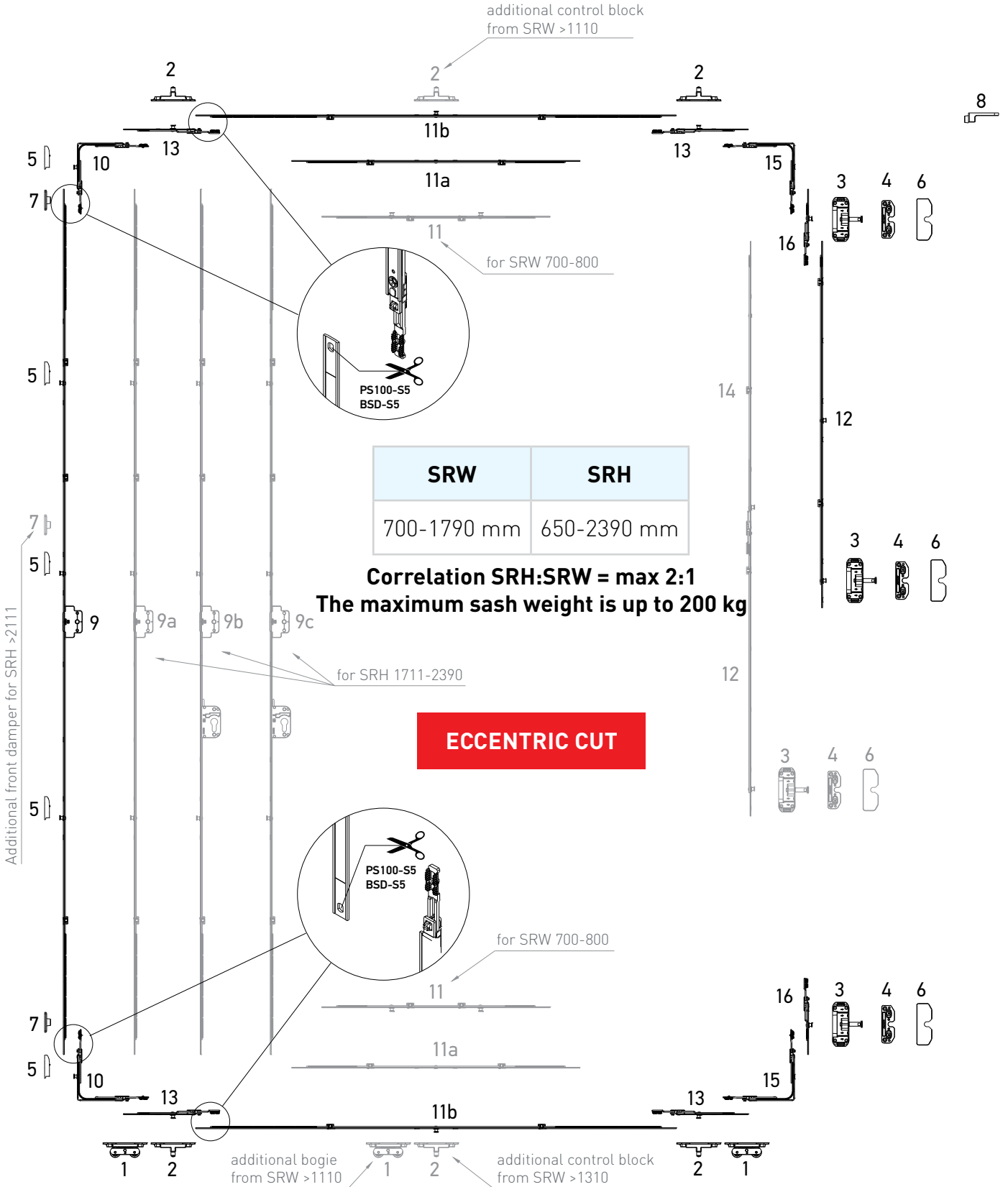
SMART GT

Section 1.2



Additional hardware set

**SMART GLIDE TECH additional hardware set
(position of the handle in the center)**





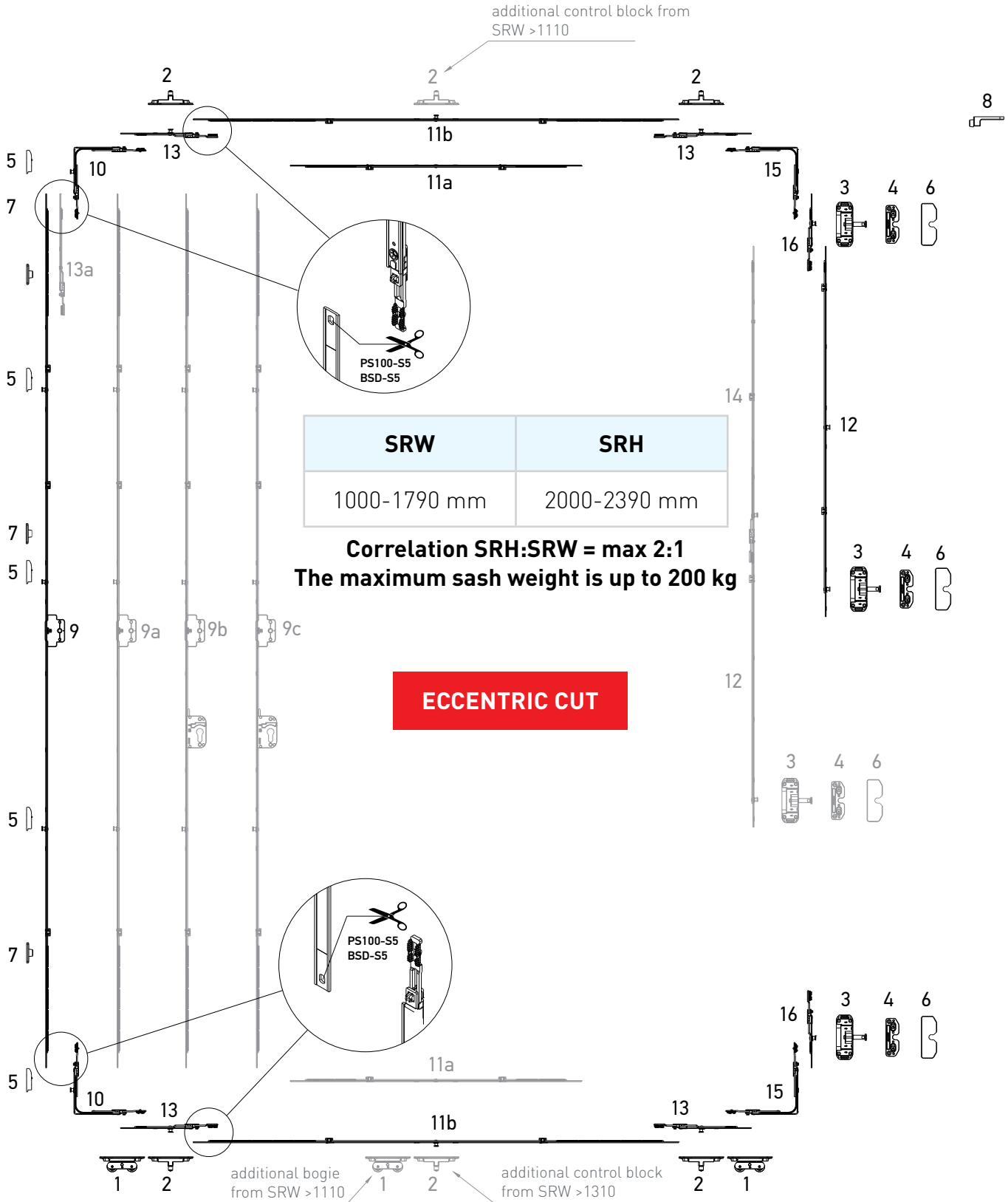
SMART GLIDE TECH additional hardware set (position of the handle in the center)

	N°	Part number	Description	WIDTH				
				700-800	801-910	911-1110	1111-1310	1311-1790
Main set	8	I7010-00-N03	Opened position stopper	1	1	1	1	1
	10	K2025-00-N03	Corner transmission, 115x115, 1 MR	2	2	2	2	2
	15	K2036-00-N03	Corner transmission, 115x115, without ML	2	2	2	2	2
	2	I7007-00-L03/R03	Control block, left / right	4	4	4	5	6
	1	I7006-00-N03	Bogie	2	2	2	3	3
	16	K4050-00-N03	Extension lock 130 mm, 1 MR	2	2	2	2	2
Horizontal extension locks	13	K4050-01-N03	Extension lock 180 mm, 1 MR	0	4	4	4	4
	11a	K4069-06-N03	Middle connection, sliding system L = 570, 700-800, 2 MR	2	0	0	0	0
		K4068-03-N03	Middle connection, L = 320, without ML	0	2	0	0	0
		K4068-05-N03	Middle connection, L = 520, without ML	0	0	2	0	0
	11b	K4068-07-N03	Middle connection, L = 720, without ML	0	0	0	1	0
		K4033-07-N03	Middle connection, L = 720, 1 MR	0	0	0	1	0
	K4033-11-N03	Middle connection, L = 1200, 1 MR	0	0	0	0	2	
650-750	9	K1054-04-N03	Gear variable L=520, 551-750, backset 35 mm	1	1	1	1	1
	3	I7008-00-L03/R03	Side lock, left / right	2	2	2	2	2
	4	I7009-00-N03	Side locking plate	2	2	2	2	2
	6	I7100-00-N0*	Cover of side locking plate, sliding system	2	2	2	2	2
	5	I7012-00-N03	Locking plate, sliding system	2	2	2	2	2
	7	I7011-00-N03	Front damper	2	2	2	2	2
751-1200	9	K1054-09-N03	Gear variable L=1000, 751-1230, 1 MR, backset 35 mm	1	1	1	1	1
	3	I7008-00-L03/R03	Side lock, left / right	2	2	2	2	2
	4	I7009-00-N03	Side locking plate	2	2	2	2	2
	6	I7100-00-N0*	Cover of side locking plate, sliding system	2	2	2	2	2
	5	I7012-00-N03	Locking plate, sliding system	3	3	3	3	3
	7	I7011-00-N03	Front damper	2	2	2	2	2
1201-1430	9	K1054-11-N03	Gear variable L=1200, 950-1430, 1 MR, backset 35 mm	1	1	1	1	1
	3	I7008-00-L03/R03	Side lock, left / right	3	3	3	3	3
	4	I7009-00-N03	Side locking plate	3	3	3	3	3
	6	I7100-00-N0*	Cover of side locking plate, sliding system	3	3	3	3	3
	5	I7012-00-N03	Locking plate, sliding system	3	3	3	3	3
	7	I7011-00-N03	Front damper	2	2	2	2	2
	12	K4054-05-N03	Extension lock 480 mm, 1 MR	1	1	1	1	1
1431-1710	9	K1054-14-N03	Gear variable L=1480, 1231-1710, 2 MR, backset 35 mm	1	1	1	1	1
	3	I7008-00-L03/R03	Side lock, left / right	3	3	3	3	3
	4	I7009-00-N03	Side locking plate	3	3	3	3	3
	6	I7100-00-N0*	Cover of side locking plate, sliding system	3	3	3	3	3
	5	I7012-00-N03	Locking plate, sliding system	4	4	4	4	4
	7	I7011-00-N03	Front damper	2	2	2	2	2
	12	K4054-05-N03	Extension lock L=480, 1 MR	1	1	1	1	1

		WIDTH						
HEIGHT	N°	Part number	Description	700-800	801-910	911-1110	1111-1310	1311-1790
1711-1910	9	K1054-16-N03	Gear variable L=1680, 1431-1910, 2 MR, backset 35 mm	1	1	1	1	1
	9a	K1094-16-N03	Gear variable L=1680, 1431-1910, 2 MR, backset 35 mm, 2-side handle	1	1	1	1	1
	9b	K1095-16-N03	Gear variable L=1680, 1431-1910, 2 MR, backset 35 mm, lockable 250 mm	1	1	1	1	1
	9c	K1096-16-N03	Gear variable L=1680, 1431-1910, 2 MR, backset 35 mm, lockable 250 mm, 2-side handle	1	1	1	1	1
	3	I7008-00-L03/R03	Side lock, left / right	3	3	3	3	3
	4	I7009-00-N03	Side locking plate	3	3	3	3	3
	6	I7100-00-N0*	Cover of side locking plate, sliding system	3	3	3	3	3
	5	I7012-00-N03	Locking plate, sliding system	4	4	4	4	4
	7	I7011-00-N03	Front damper	2	2	2	2	2
	12	K4054-07-N03	Extension lock L=680, 1 MR	1	1	1	1	1
1911-2110	9	K1054-21-N03	Gear variable L=2160, 1911-2390, 3 MR, backset 35 mm	1	1	1	1	1
	9a	K1094-21-N03	Gear variable L=2160, 1911-2390, 3 MR, backset 35 mm, 2-side handle	1	1	1	1	1
	9b	K1095-21-N03	Gear variable L=2160, 1911-2390, 3 MR, backset 35 mm, lockable 250 mm	1	1	1	1	1
	9c	K1096-21-N03	Gear variable L=2160, 1911-2390, 3 MR, backset 35 mm, lockable 250 mm, 2-side handle	1	1	1	1	1
	3	I7008-00-L03/R03	Side lock, left / right	3	3	3	3	3
	4	I7009-00-N03	Side locking plate	3	3	3	3	3
	6	I7100-00-N0*	Cover of side locking plate, sliding system	3	3	3	3	3
	5	I7012-00-N03	Locking plate, sliding system	5	5	5	5	5
	7	I7011-00-N03	Front damper	2	2	2	2	2
	12	K4054-09-N03	Extension lock L=880, 2 MR	1	1	1	1	1
2111-2390	9	K1054-21-N03	Gear variable L=2160, 1911-2390, 3 MR, backset 35 mm	1	1	1	1	1
	9a	K1094-21-N03	Gear variable L=2160, 1911-2390, 3 MR, backset 35 mm, 2-side handle	1	1	1	1	1
	9b	K1095-21-N03	Gear variable L=2160, 1911-2390, 3 MR, backset 35 mm, lockable 250 mm	1	1	1	1	1
	9c	K1096-21-N03	Gear variable L=2160, 1911-2390, 3 MR, backset 35 mm, lockable 250 mm, 2-side handle	1	1	1	1	1
	3	I7008-00-L03/R03	Side lock, left / right	4	4	4	4	4
	4	I7009-00-N03	Side locking plate	4	4	4	4	4
	6	I7100-00-N0*	Cover of side locking plate, sliding system	4	4	4	4	4
	5	I7012-00-N03	Locking plate, sliding system	5	5	5	5	5
	7	I7011-00-N03	Front damper	3	3	3	3	3
	12	K4054-05-N03	Extension lock L=480, 1 MR	1	1	1	1	1
14	K4071-07-N03	Extension lock L=720, 1 MR, without possibility to cut	1	1	1	1	1	

* color: N01 - white RAL9016
 N02 - brown RAL8022
 N03 - silver
 N05 - golden
 N06 - bronze
 N07 - black RAL9005
 N09 - anthracite gray RAL7016

**SMART GLIDE TECH additional hardware set
(handle position G=1000)**



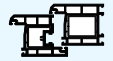


SMART GLIDE TECH additional hardware set (handle position G=1000)

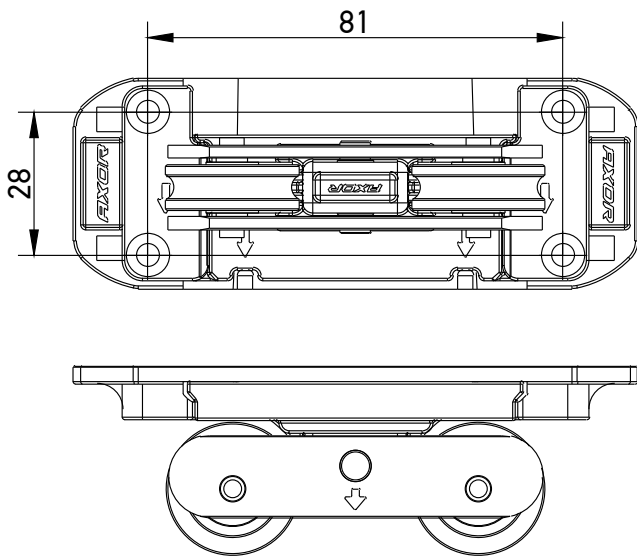
				WIDTH			
		Nº	Part number	Description	1000-1110	1111-1310	1311-1790
Main set	8	I7010-00-N03	Opened position stopper		1	1	1
	10	K2025-00-N03	Corner transmission, 115x115, 1 MR		2	2	2
	15	K2036-00-N03	Corner transmission, 115x115, without ML		2	2	2
	2	I7007-00-L03/R03	Control block, left / right		4	5	6
	1	I7006-00-N03	Bogie		2	3	3
	16	K4050-00-N03	Extension lock 130 mm, 1 MR		2	2	2
Horizontal extension locks	13	K4050-01-N03	Extension lock 180 mm, 1 MR		4	4	4
	11a	K4068-05-N03	Middle connection, L = 520, without ML		2	0	0
		K4068-07-N03	Middle connection, L = 720, without ML		0	1	0
	11b	K4033-07-N03	Middle connection, L = 720, 1 MR		0	1	0
K4033-11-N03		Middle connection, L = 1200, 1 MR		0	0	2	
HEIGHT	2000-2195	9	K1054-21-N03	Gear variable L=2160, 1911-2390, 3 MR, backset 35 mm	1	1	1
		9a	K1094-21-N03	Gear variable L=2160, 1911-2390, 3 MR, backset 35 mm, 2-side handle	1	1	1
		9b	K1095-21-N03	Gear variable L=2160, 1911-2390, 3 MR, backset 35 mm, lockable 250 mm	1	1	1
		9c	K1096-21-N03	Gear variable L=2160, 1911-2390, 3 MR, backset 35 mm, lockable 250 mm, 2-side handle	1	1	1
		3	I7008-00-L03/R03	Side lock, left / right	3	3	3
		4	I7009-00-N03	Side locking plate	3	3	3
		6	I7100-00-N0*	Cover of side locking plate, sliding system	3	3	3
		5	I7012-00-N03	Locking plate, sliding system	5	5	5
	2196-2390	7	I7011-00-N03	Front damper	2	2	2
		12	K4054-09-N03	Extension lock L=880, 2 MR	1	1	1
		9	K1054-21-N03	Gear variable L=2160, 1911-2390, 3 MR, backset 35 mm	1	1	1
		9a	K1094-21-N03	Gear variable L=2160, 1911-2390, 3 MR, backset 35 mm, 2-side handle	1	1	1
		9b	K1095-21-N03	Gear variable L=2160, 1911-2390, 3 MR, backset 35 mm, lockable 250 mm	1	1	1
		9c	K1096-21-N03	Gear variable L=2160, 1911-2390, 3 MR, backset 35 mm, lockable 250 mm, 2-side handle	1	1	1
	3	I7008-00-L03/R03	Side lock, left / right	4	4	4	
	4	I7009-00-N03	Side locking plate	4	4	4	
	6	I7100-00-N0*	Cover of side locking plate, sliding system	4	4	4	
	5	I7012-00-N03	Locking plate, sliding system	5	5	5	
	7	I7011-00-N03	Front damper	3	3	3	
	12	K4054-05-N03	Extension lock L=480, 1 MR	1	1	1	
	13a	K4057-02-N03	Extension lock L=240, without ML	1	1	1	
	14	K4071-07-N03	Extension lock L=720, 1 MR, without possibility to cut	1	1	1	

* color: N01 - white RAL9016
 N02 - brown RAL8022
 N03 - silver
 N05 - golden
 N06 - bronze
 N07 - black RAL9005
 N09 - anthracite gray RAL7016

SMART GT

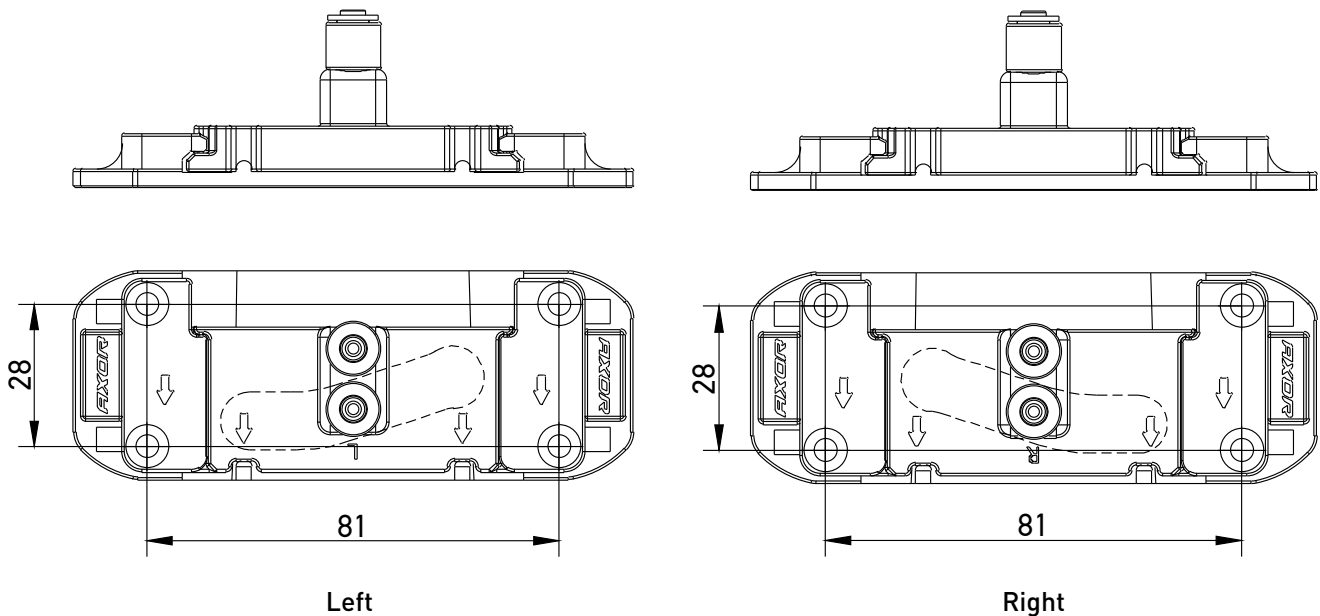


Bogie



Description	Side opening	Screw	Part number	Jig number
Bogie	L/R	4 / 4x22	I7006-00-N03	I7201-00-N03

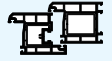
Control block



Description	Side opening	Screw	Part number	Jig number
Control block, left	L	4 / 4x22	I7007-00-L03	I7201-00-N03
Control block, right	R	4 / 4x22	I7007-00-R03	I7201-00-N03

SMART GT

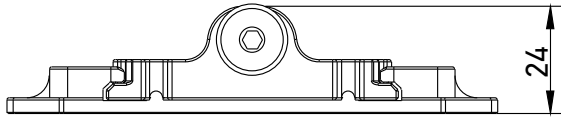
Section 1.3



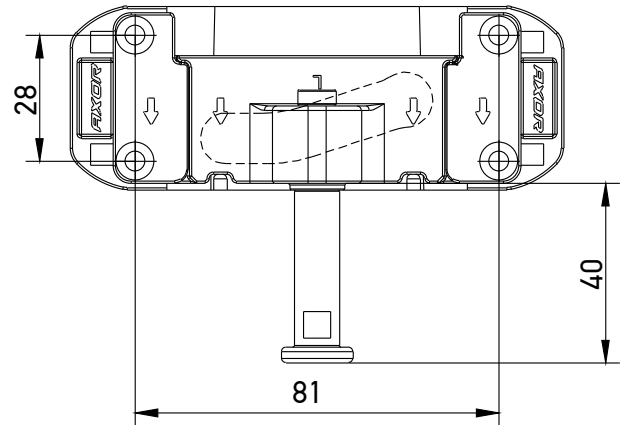
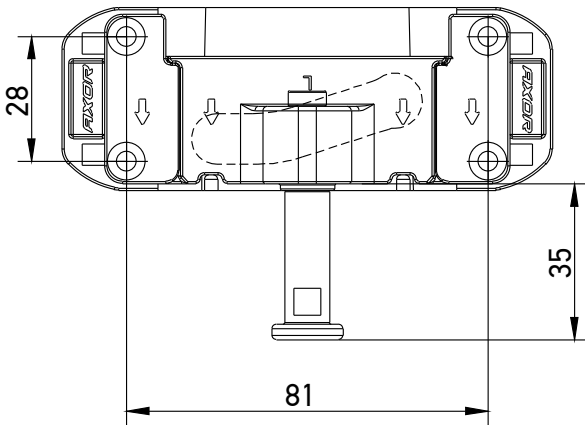
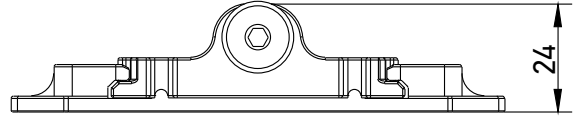
Smart&Quick system elements

Side lock

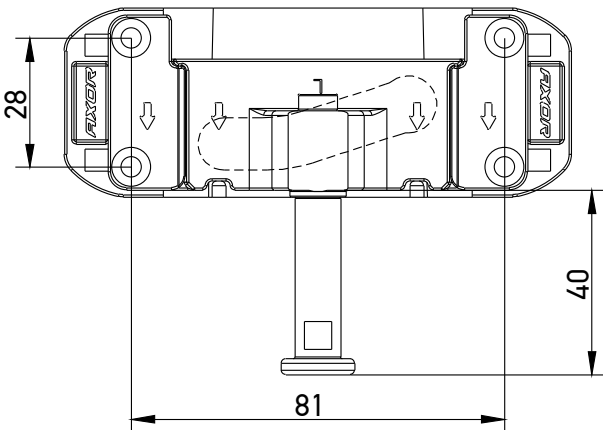
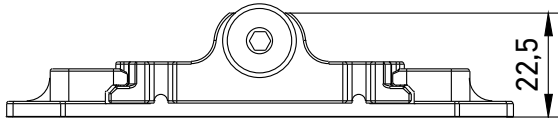
I7008-00-L03



I7008-01-L03



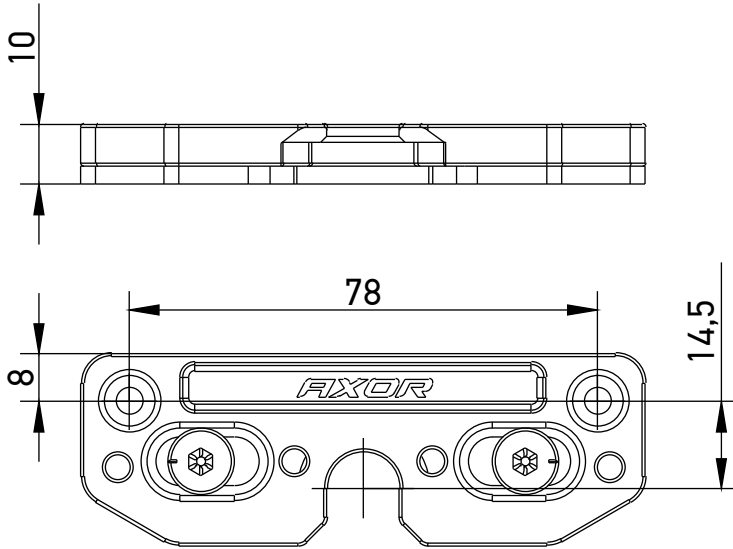
I7008-02-L03



Description	Side opening	Screw	Part number	Jig number	Profile system
Side lock, left/right	L/R	4 / 4x22	I7008-00-L/R03	I7200-00-N03	WDS SL76, Aluplast, VEKA Move
	L/R	4 / 4x22	I7008-01-L/R03	I7200-00-N03	Aluplast neo, Rehau Intelio, Gealan Smoovio, Salamander
	L/R	4 / 4x22	I7008-02-L/R03	I7200-00-N03	Sonarol, Decco Slide,

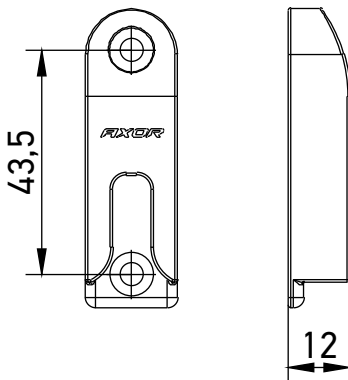


Side locking plate

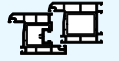


Description	Side opening	Screw	Part number	Jig number
Side locking plate	L/R	2 / 3,9x38	I7009-00-N03	I7202-00-N03

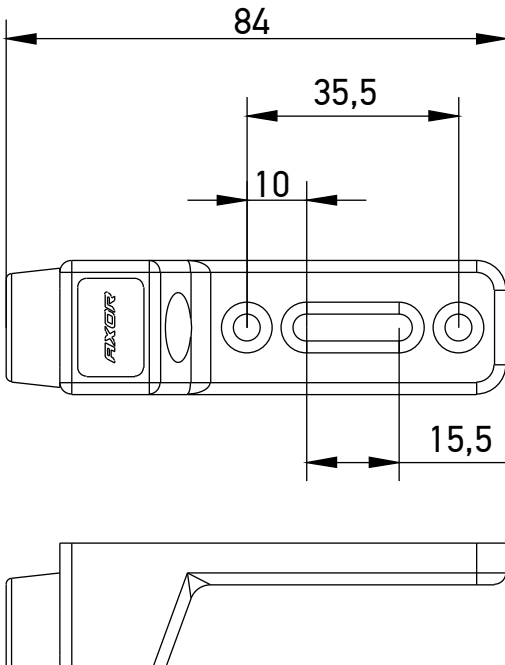
Locking plate, slyding system



Description	Side opening	Screw	Part number	Jig number
Locking plate, slyding system	L/R	2 / 4x22	I7012-00-N03	I7203-00-N03

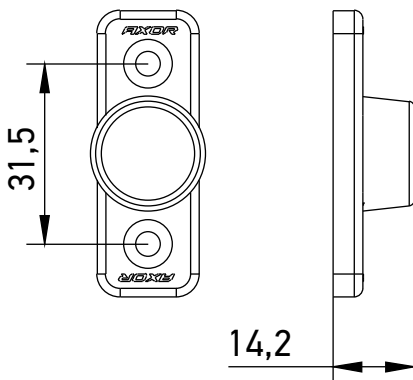


Opened position stopper



Description	Side opening	Screw	Part number	Jig number
Opened position stopper	L/R	3 / 4x22	I7010-00-N03	-

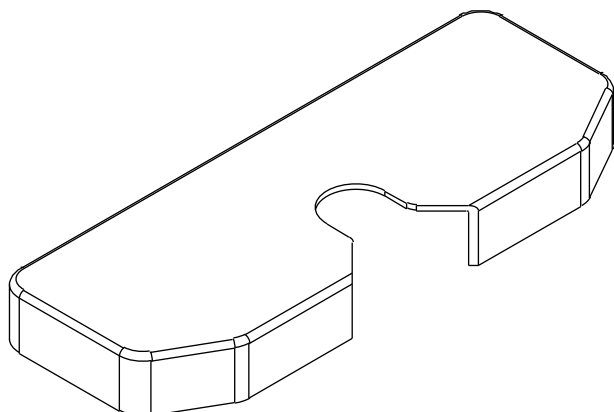
Front damper



Description	Side opening	Screw	Part number	Jig number
Front damper	L/R	2 / 4x22	I7011-00-N03	-



Cover of side locking plate, sliding system



Description	Side opening	Part number
Cover of side locking plate, sliding system, RAL9016 white	L/R	I7100-00-N01
Cover of side locking plate, sliding system, RAL8022 brown	L/R	I7100-00-N02
Cover of side locking plate, sliding system, silver	L/R	I7100-00-N03
Cover of side locking plate, sliding system, golden	L/R	I7100-00-N05
Cover of side locking plate, sliding system, bronze	L/R	I7100-00-N06
Cover of side locking plate, sliding system, RAL9005 black	L/R	I7100-00-N07
Cover of side locking plate, sliding system, RAL7016 anthracite gray	L/R	I7100-00-N09

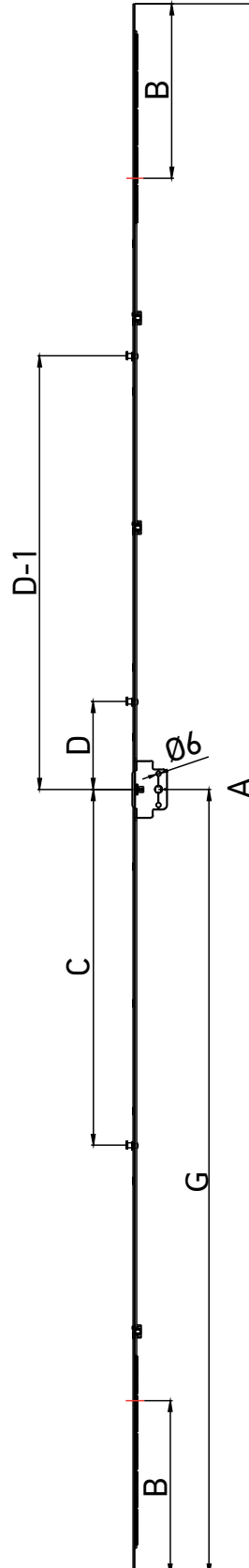
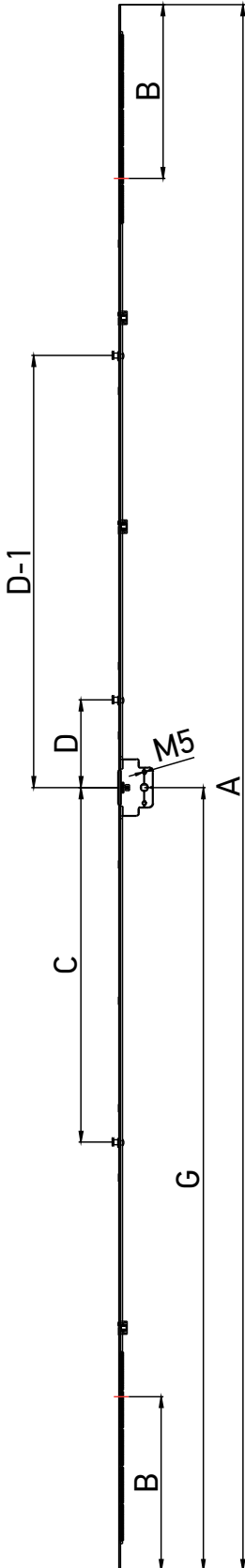
SMART GT

Section 1.4




Perimeter strapping elements


Gear variable, backset 35 mm

Gear variable, backset 35 mm,
2-side handle


Gear variable, backset 35 mm

Description	SRH		A	B	C	D	D-1	G	Part number
Gear variable L=520, 551-750, backset 35 mm	550-750	2	520	100	-	-	-	275-375	K1054-04-N03
Gear variable L=1000, 751-1230, 1 MR, backset 35 mm	751-1200	4	1000	240	-	121	-	375-600	K1054-09-N03
Gear variable L=1200, 950-1430, 1 MR, backset 35 mm	1201-1430	5	1200	240	-	121	-	600-715	K1054-11-N03
Gear variable L=1480, 1231-1710, 2 MR, backset 35 mm	1431-1710	6	1480	240	289	121	-	715-855	K1054-14-N03
Gear variable L=1680, 1431-1910, 2 MR, backset 35 mm	1711-1910	7	1680	240	389	266	-	855-955	K1054-16-N03
Gear variable L=2160, 1911-2390, 3 MR, backset 35 mm	1911-2390	11	2160	240	489	121	596	955-1195	K1054-21-N03


Gear variable, backset 35 mm, 2-side handle

Description	SRH		A	B	C	D	D-1	G	Part number
Gear variable L=1680, 1431-1910, 2 MR, backset 35 mm, 2-side handle	1711-1910	7	1680	240	389	266	-	855-955	K1094-16-N03
Gear variable L=2160, 1911-2390, 3 MR, backset 35 mm, 2-side handle	1911-2390	11	2160	240	489	121	596	955-1195	K1094-21-N03


SMART GT

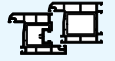


Gear variable, backset 35 mm, lockable 250 mm

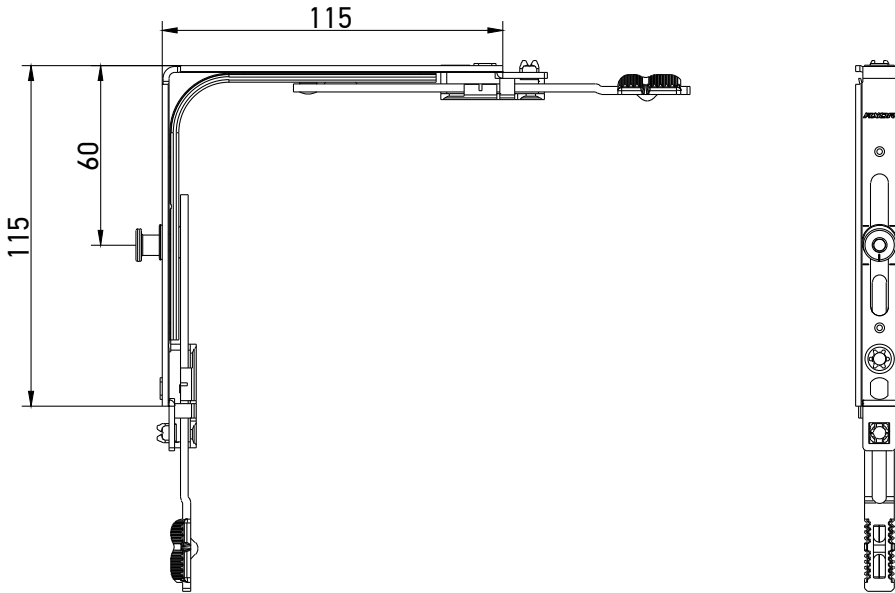
Description	SRH		A	B	C	D	D-1	G	Part number
Gear variable L=1680, 1431-1910, 2 MR, backset 35 mm, lockable 250 mm	1711-1910	7	1680	240	389	266	-	855-955	K1095-16-N03
Gear variable L=2160, 1911-2390, 3 MR, backset 35 mm, lockable 250 mm	1911-2390	11	2160	240	489	121	596	955-1195	K1095-21-N03

Gear variable, backset 35 mm, lockable 250 mm, 2-side handle

Description	SRH		A	B	C	D	D-1	G	Part number
Gear variable L=1680, 1431-1910, 2 MR, backset 35 mm, lockable 250 mm, 2-side handle	1711-1910	7	1680	240	389	266	-	855-955	K1096-16-N03
Gear variable L=2160, 1911-2390, 3 MR, backset 35 mm, lockable 250 mm, 2-side handle	1911-2390	11	2160	240	489	121	596	955-1195	K1096-21-N03

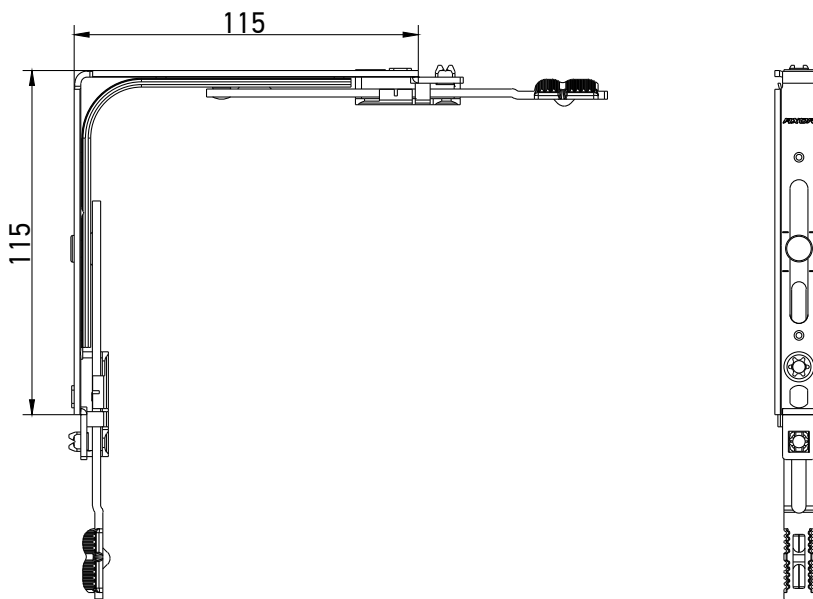


Corner transmission



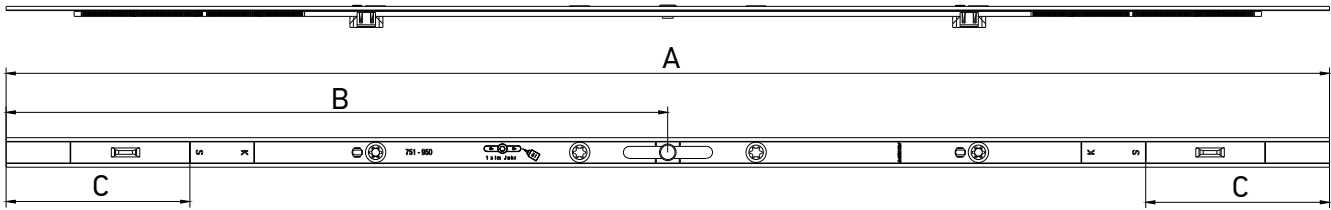
Description	SRH	SRW	Screw	Part number
Corner transmission, 1 ML, 115x115	550-2390	700-1790	4	K2025-00-N03

Corner transmission, without ML

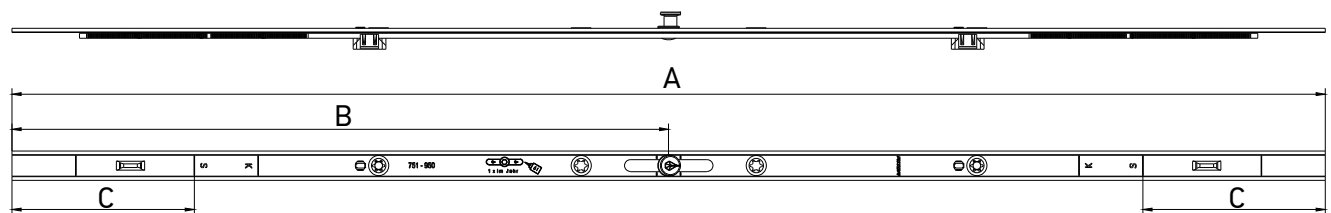


Description	SRH	SRW	Screw	Part number
Corner transmission, 115x115, without ML	650-2390	700-1790	4	K2036-00-N03

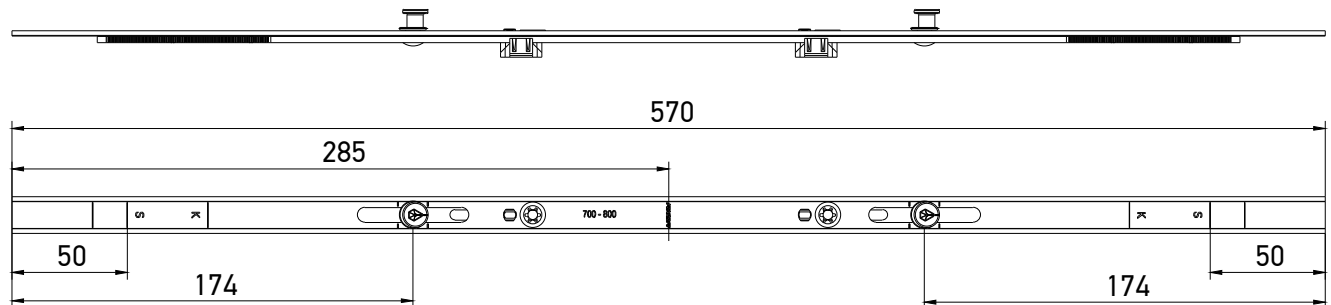
Middle connection, without ML



Middle connection, 1 MR



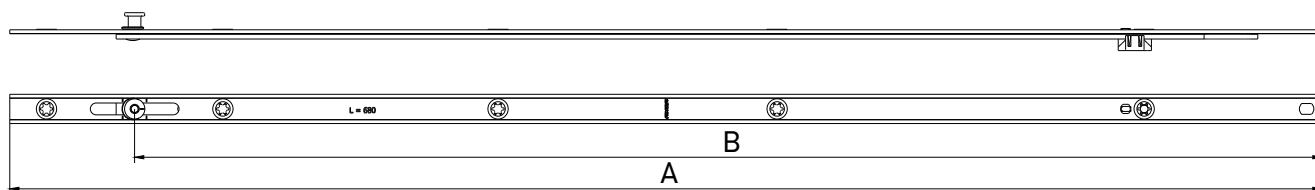
Middle connection, 2 MR



Description	SRW	Screw	A	B	C	Part number
Middle connection, L = 320, 440-550, without ML	801-910	1	320	160	55	K4068-03-N03
Middle connection, L = 520, 551-750, without ML	911-1110	2	520	260	100	K4068-05-N03
Middle connection, L = 720, 751-950, without ML	1111-1310	4	720	360	100	K4068-07-N03
Middle connection, L = 1200, 951-1430, without ML	1311-1790	4	1200	600	240	K4068-11-N03
Middle connection, L=720, 751-950, 1 MR	1111-1310	4	720	360	100	K4033-07-N03
Middle connection, L=1200, 951-1430, 1 MR	1311-1790	4	1200	600	240	K4033-11-N03
Middle connection for sliding system, L = 570, 700-800, 2 MR	700-800	2	-	-	-	K4069-06-N03

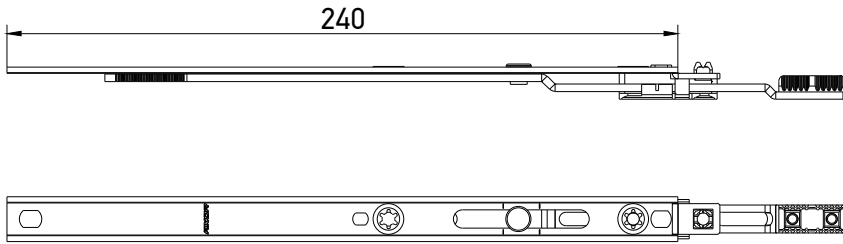


Extension lock

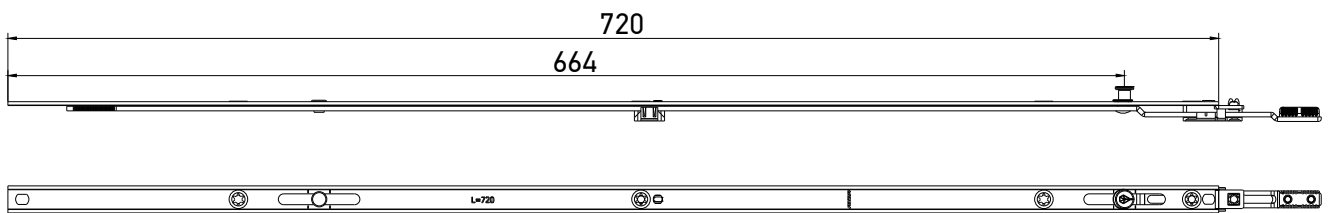


Description	SRW	Screw	A	B	Part number
Extension lock, L=480, 1 MR	1201-1430	4	515	447	K4054-05-N03
Extension lock, L=680, 1 MR	1431-1710	5	715	647	K4054-07-N03
Extension lock, L=880, 2 MR	1431-1710	7	915	847	K4054-09-N03

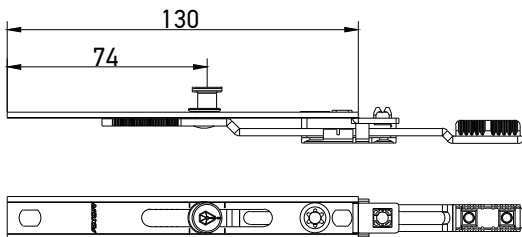
Extension lock, 240 mm



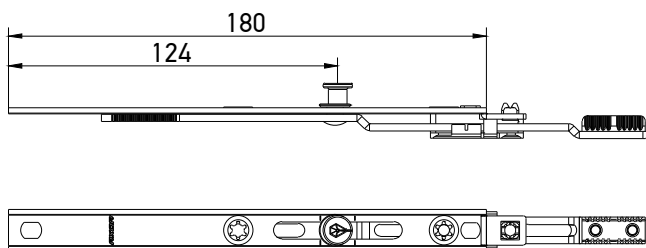
Extension lock, 720 mm, 1 MR



Extension lock, 130 mm, 1 MR

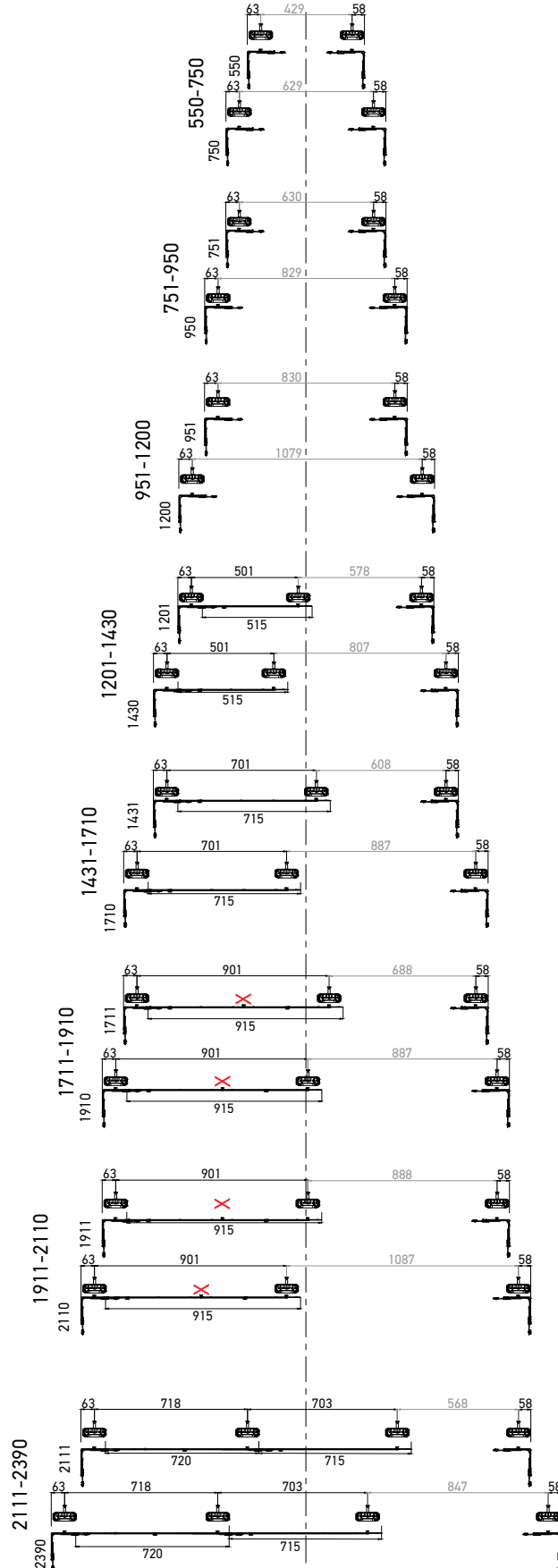


Extension lock, 180 mm, 1 MR



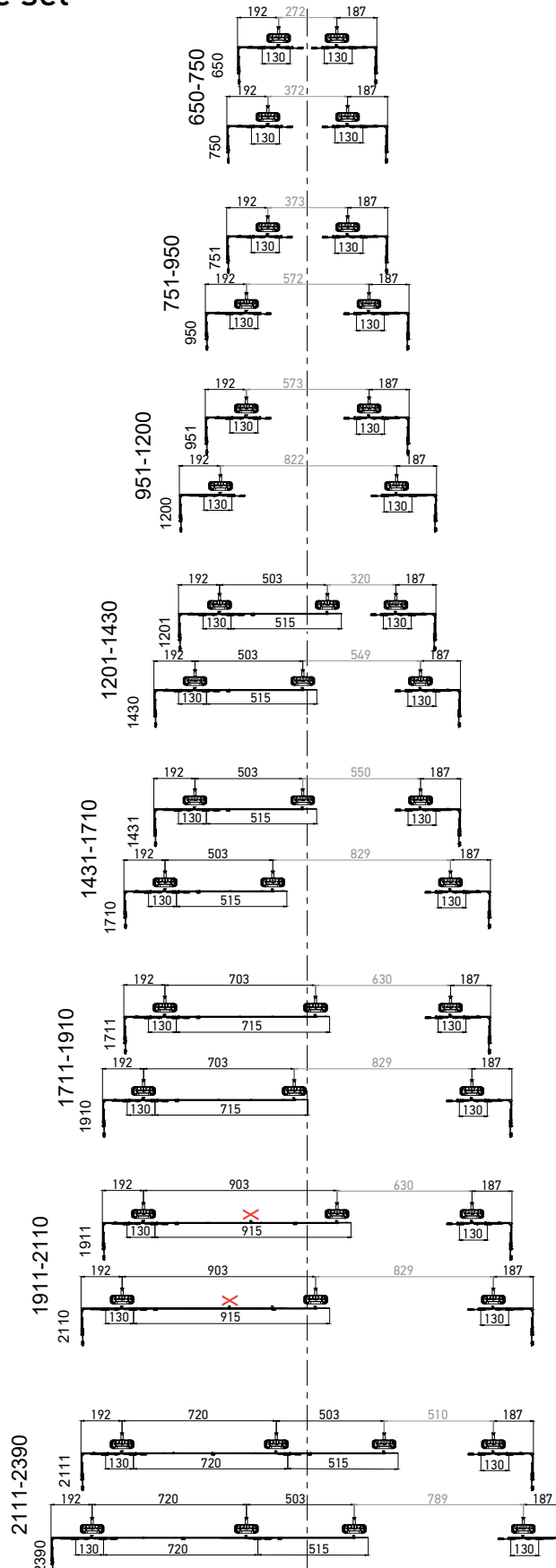
Description	SRH	Screw	Part number
Extension lock, 240 mm, без цапфи	2195-2390	3	K4057-02-N03
Extension lock, 720 mm, 1 MR, without possibility to cut	2111-2390	5	K4071-07-N03
Extension lock, 130 mm, 1 MR	650-2390	2	K4050-00-N03
Extension lock, 180 mm, 1 MR	801-1790	3	K4050-01-N03

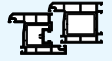
Assembly diagram (side lock) - mullion



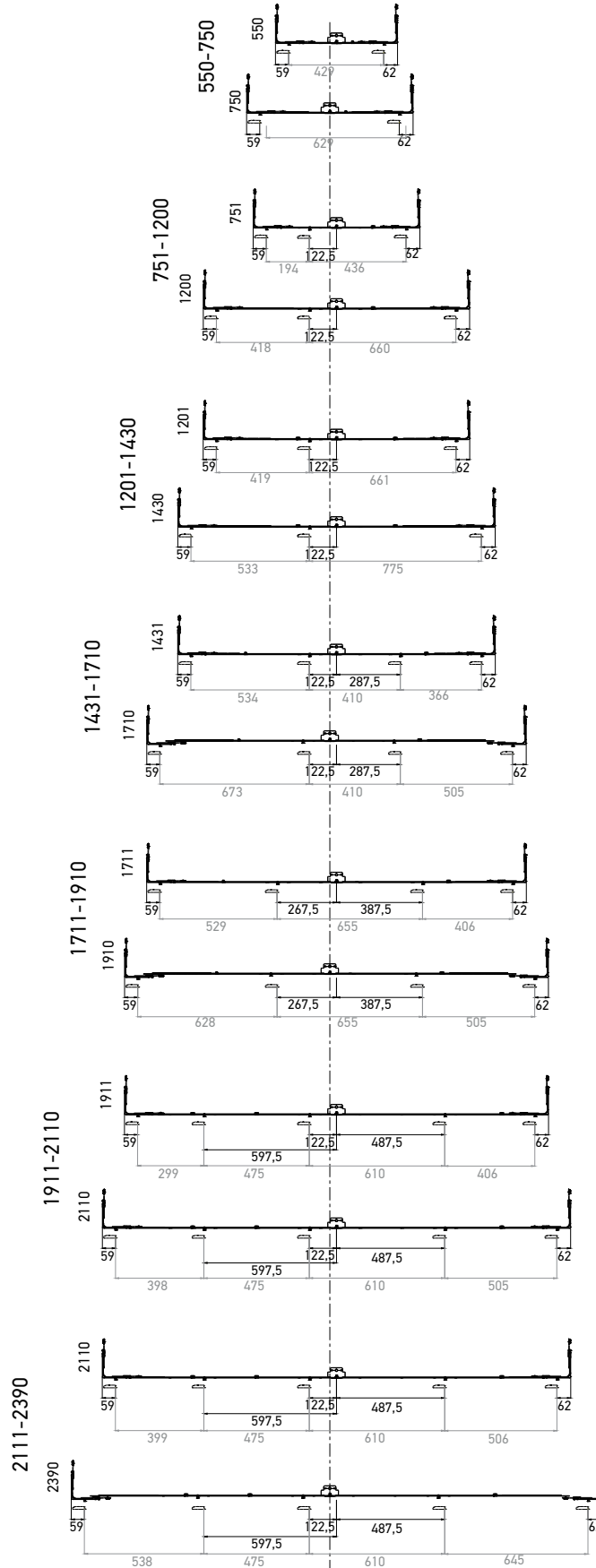


Assembly diagram (side lock) - mullion Additional hardware set



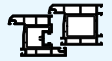


**Assembly diagram (locking plates) - handle side
(position of the handle in the center)**

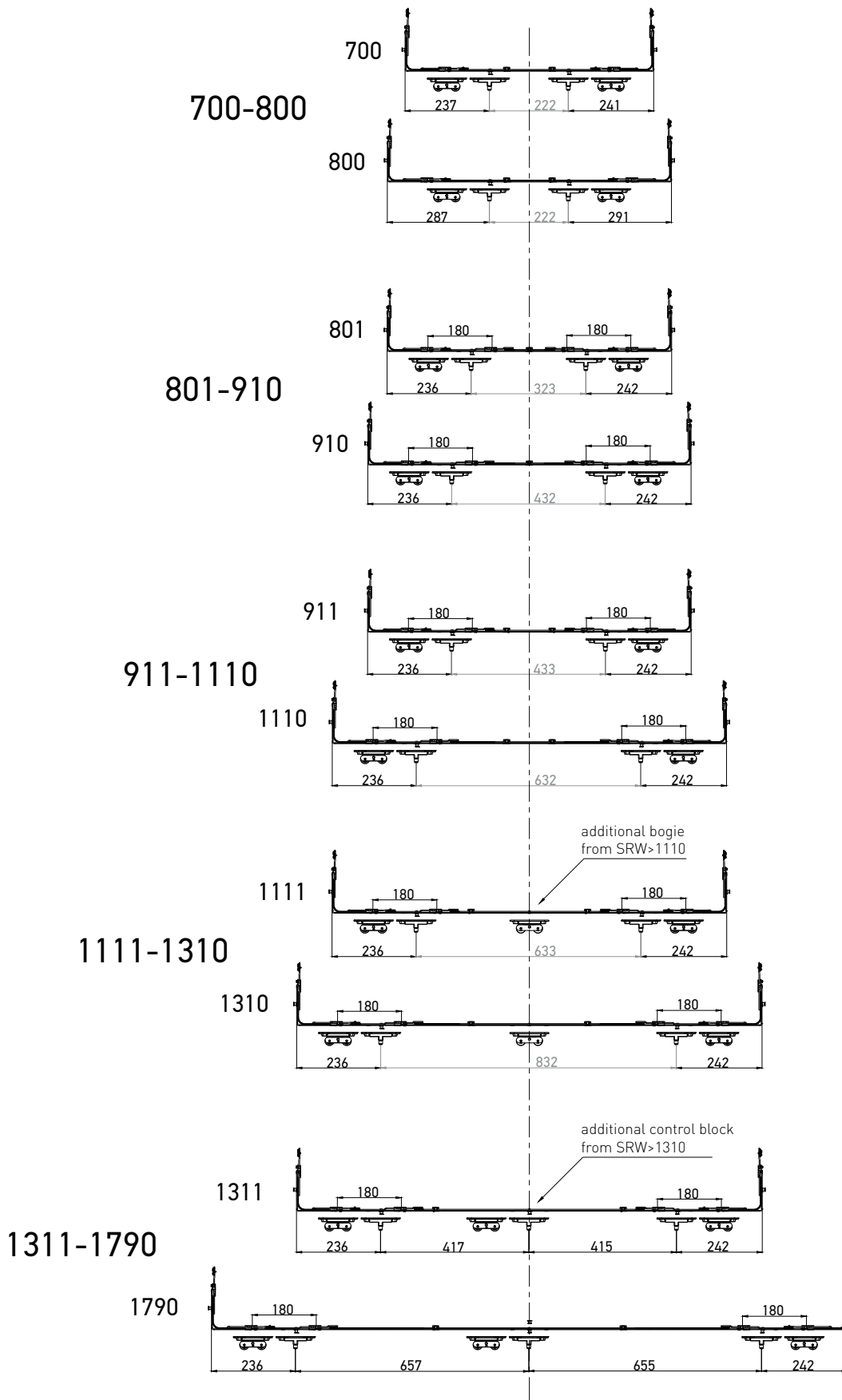


**Assembly diagram (locking plates) - handle side
(handle position G = 1000)**

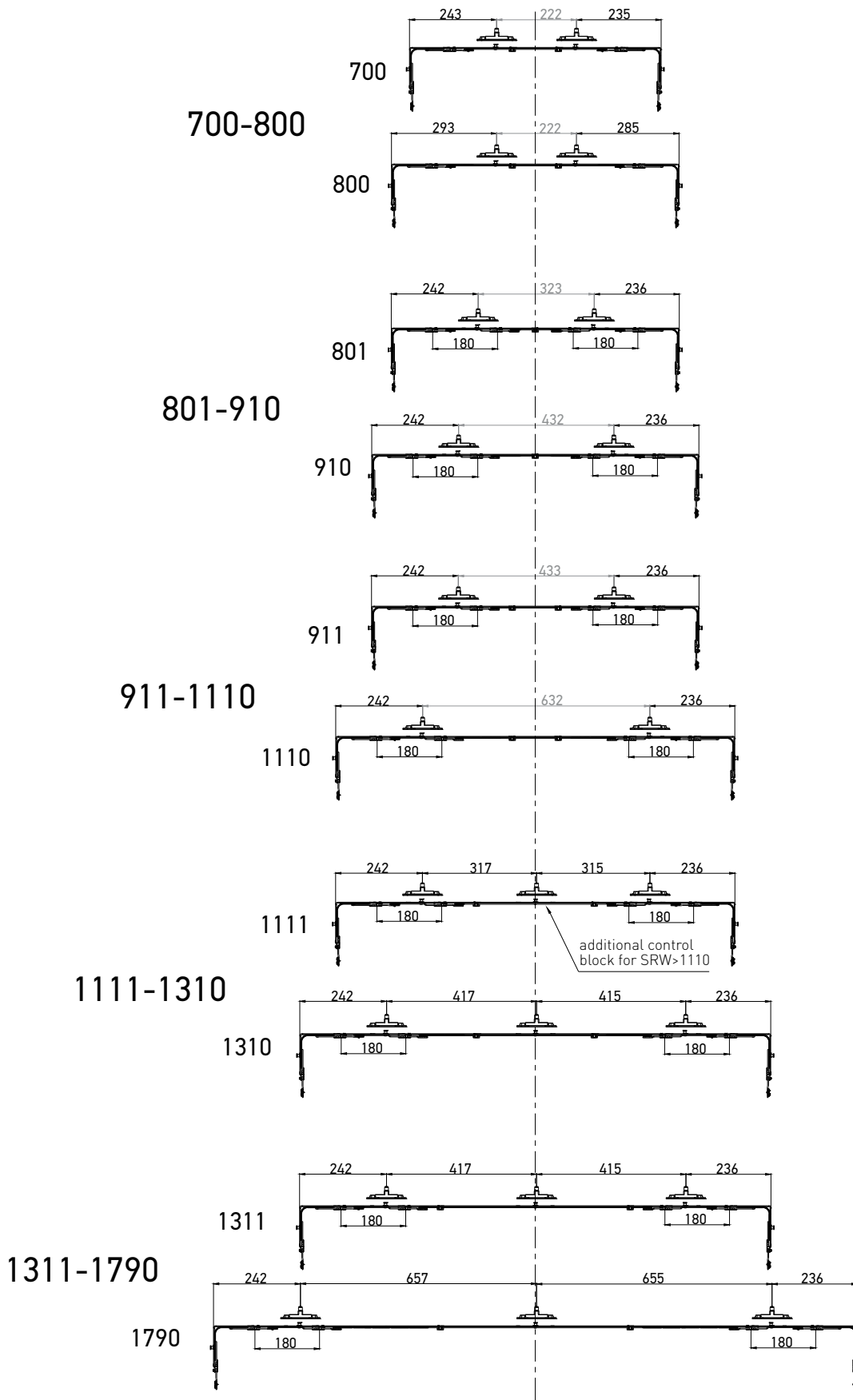


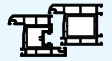


Assembly diagram (bogie, control block) - bottom



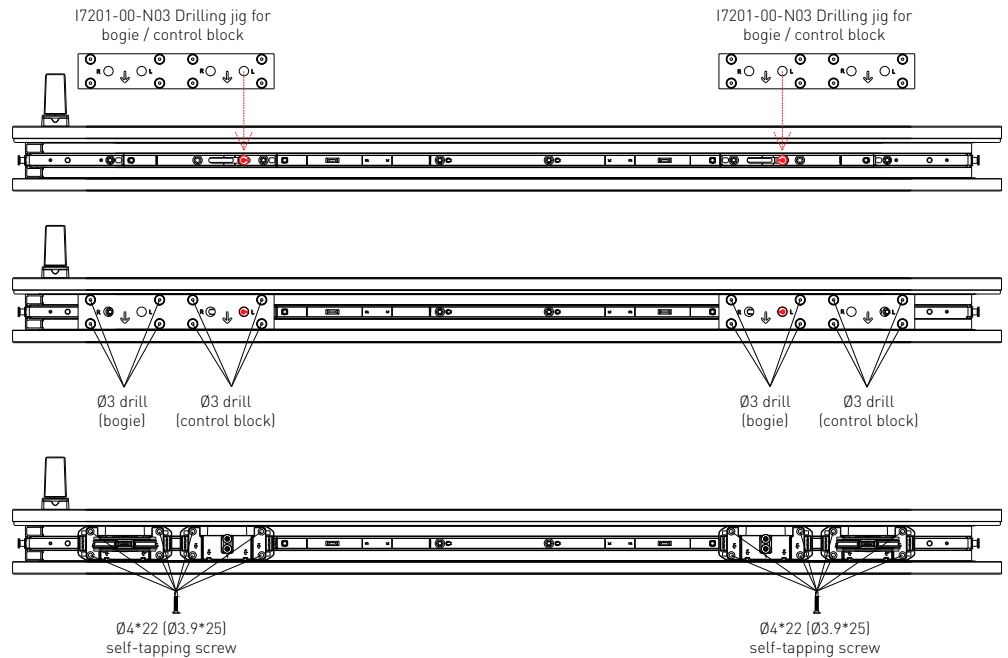
Assembly diagram (control block) - top





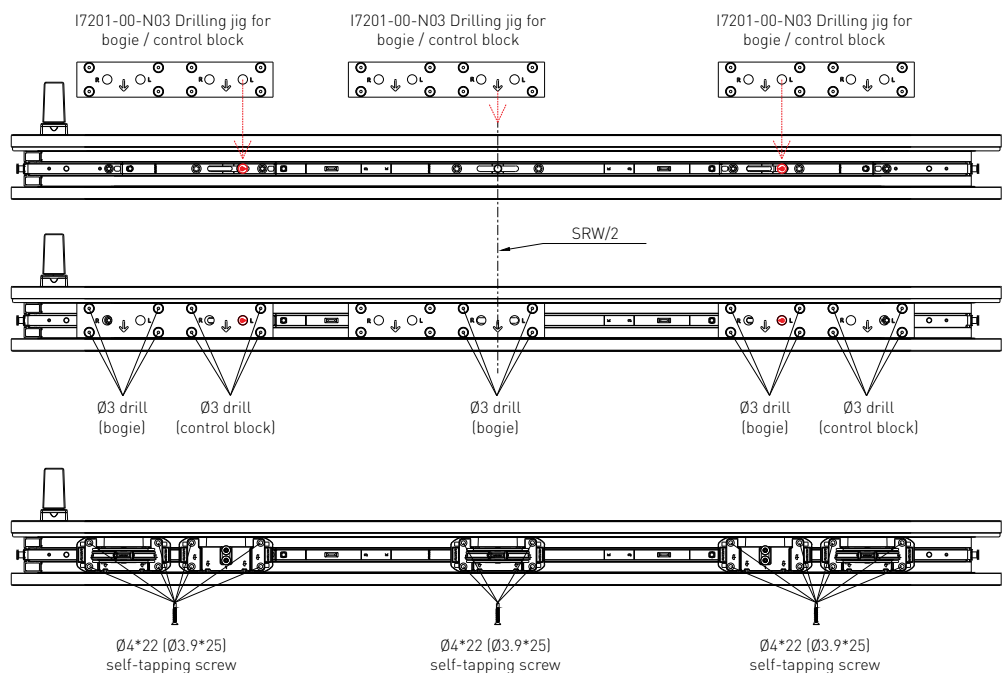
**Installation of the bogie and the control block using a drilling jig.
Left opening. Bottom.**

1. Rotate a handle in open position (180°).
2. Install drilling jig on the locking pin of extension lock. Pay attention: handle side bogie is from the left side, mullion side bogie is from the right side. Drilling jig has to be used accordingly (see marking L).
3. Drill hole Ø3 for bogie and control block.
4. Fix with screws Ø4*22 (alternatively Ø3,9*25).



Additional bogie from SRW > 1110

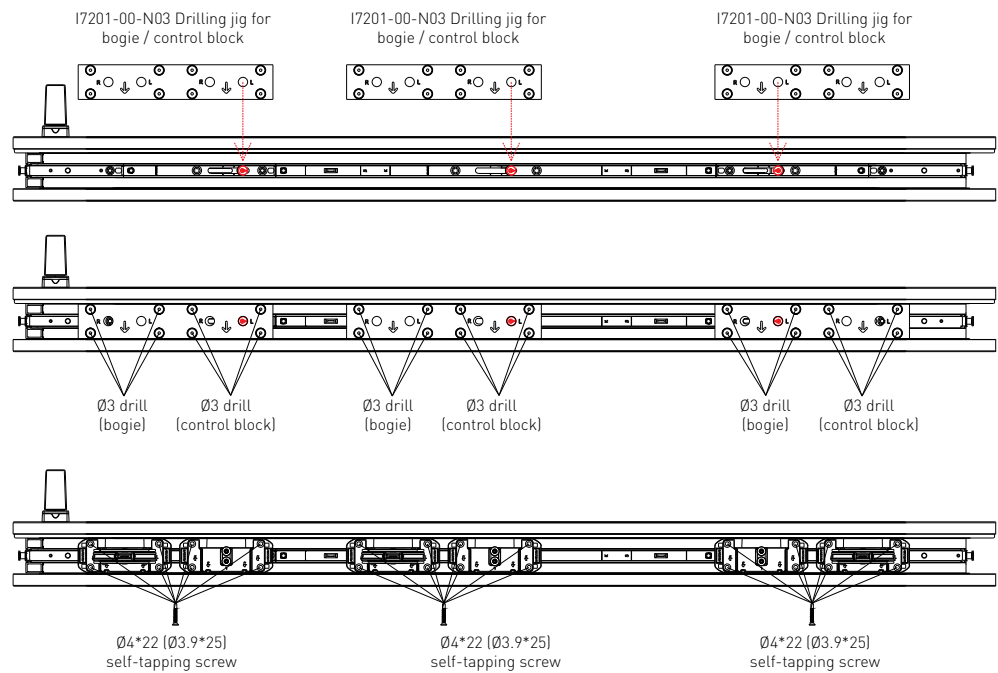
1. Rotate a handle in open position (180°).
2. Install drilling jig on the locking pin of extension lock. Pay attention: handle side bogie is from the left side, mullion side bogie is from the right side. Drilling jig has to be used accordingly (see marking L). Additional bogie has to be placed in the middle of sash (SRW).
3. Drill hole Ø3 for bogie and control block. For additional bogie has to be drilled just for bogie.
4. Fix with screws Ø4*22 (alternatively Ø3,9*25).

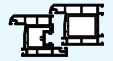


**Installation of the bogie and the control block using a drilling jig.
Left opening. Bottom.**

Additional bogie and control block for SRW > 1310

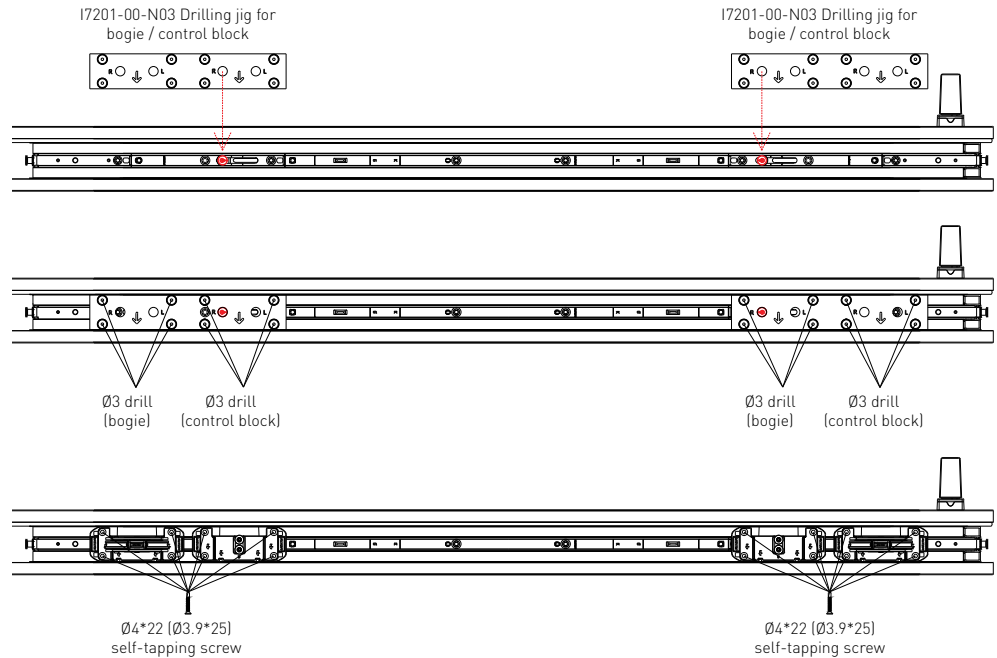
1. Rotate a handle in open position (180°).
2. Install drilling jig on the locking pin of extension lock. Pay attention: handle side bogie is from the left side, mullion side bogie is from the right side. Additional bogie is located on the left side of control block on the same position of handle side. Drilling jig has to be used accordingly (see marking L).
3. Drill hole Ø3 for bogie and control block.
4. Fix with screws Ø4*22 (alternatively Ø3,9*25).





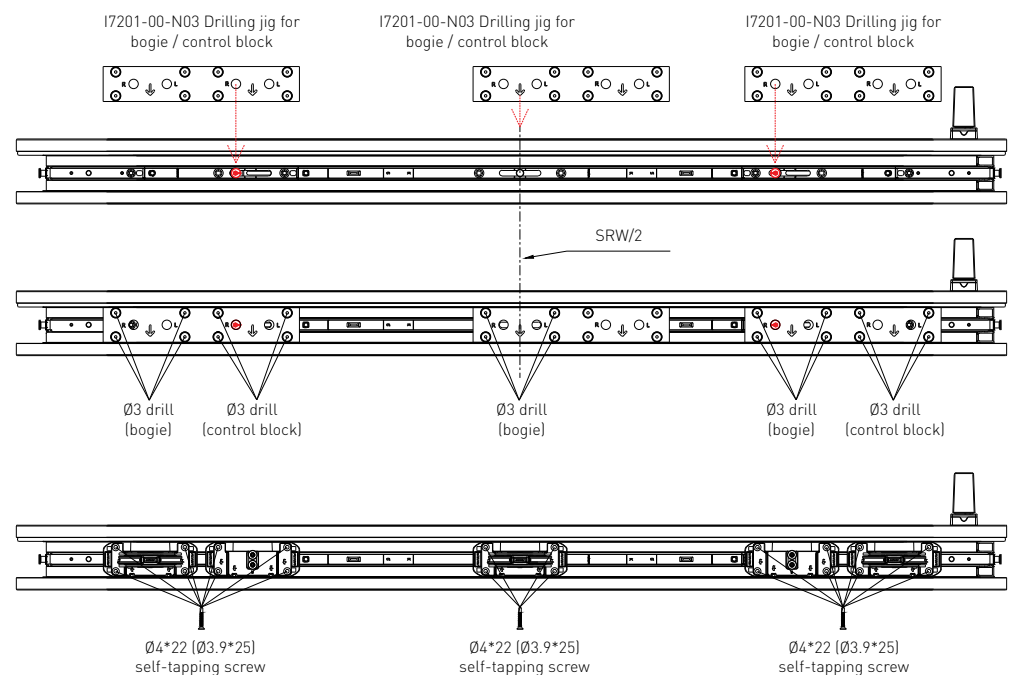
**Installation of the bogie and the control block using a drilling jig.
Right opening. Bottom.**

1. Rotate a handle in open position (180°).
2. Install drilling jig on the locking pin of extension lock. Pay attention: handle side bogie is from the right side, mullion side bogie is from the left side. Drilling jig has to be used accordingly (see marking R).
3. Drill hole Ø3 for bogie and control block.
4. Fix with screws Ø4*22 (alternatively Ø3,9*25).



Additional bogie from SRW > 1110

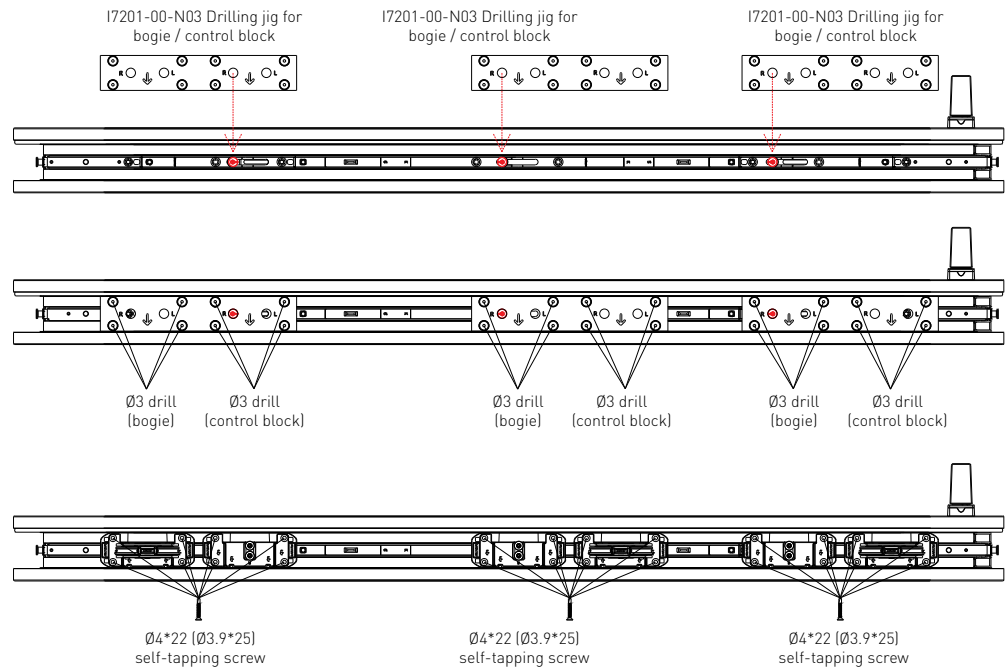
1. Rotate a handle in open position (180°).
2. Install drilling jig on the locking pin of extension lock. Pay attention: handle side bogie is from the right side, mullion side bogie is from the left side. Drilling jig has to be used accordingly (see marking R). Additional bogie has to be placed in the middle of sash (SRW).
3. Drill hole Ø3 for bogie and control block. For additional bogie has to be drilled just for bogie.
4. Fix with screws Ø4*22 (alternatively Ø3,9*25).

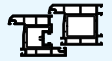


**Installation of the bogie and the control block using a drilling jig.
Right opening. Bottom.**

Additional bogie and control block for SRW > 1310

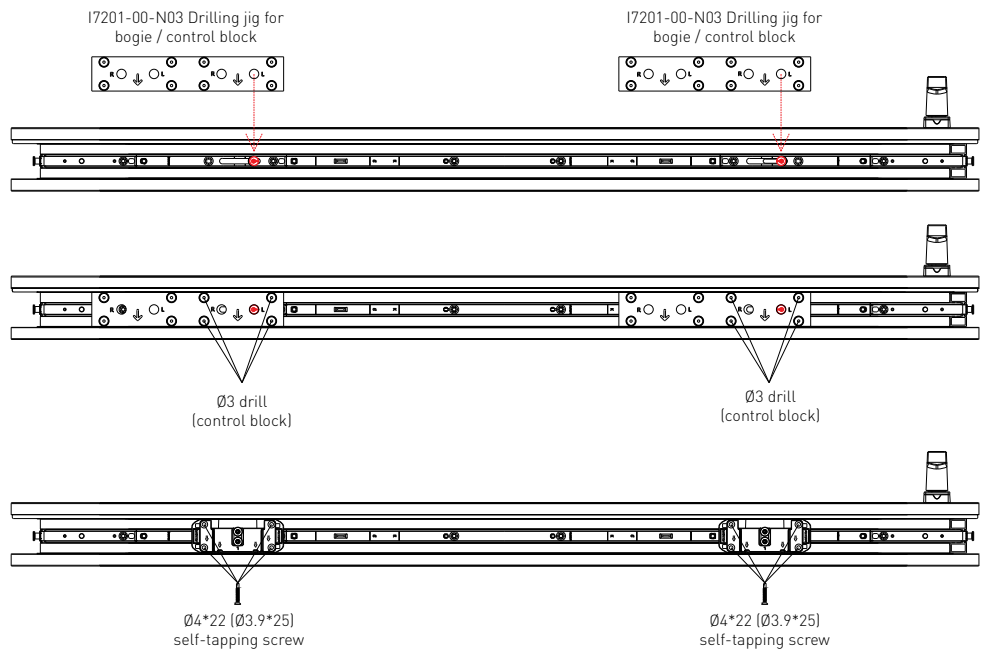
1. Rotate a handle in open position (180°).
2. Install drilling jig on the locking pin of extension lock. Pay attention: handle side bogie is from the right side, mullion side bogie is from the left side. Handle side bogie is from the right side, mullion side bogie is from the left side. Drilling jig has to be used accordingly (see marking R).
3. Drill hole Ø3 for bogie and control block.
4. Fix with screws Ø4*22 (alternatively Ø3,9*25).





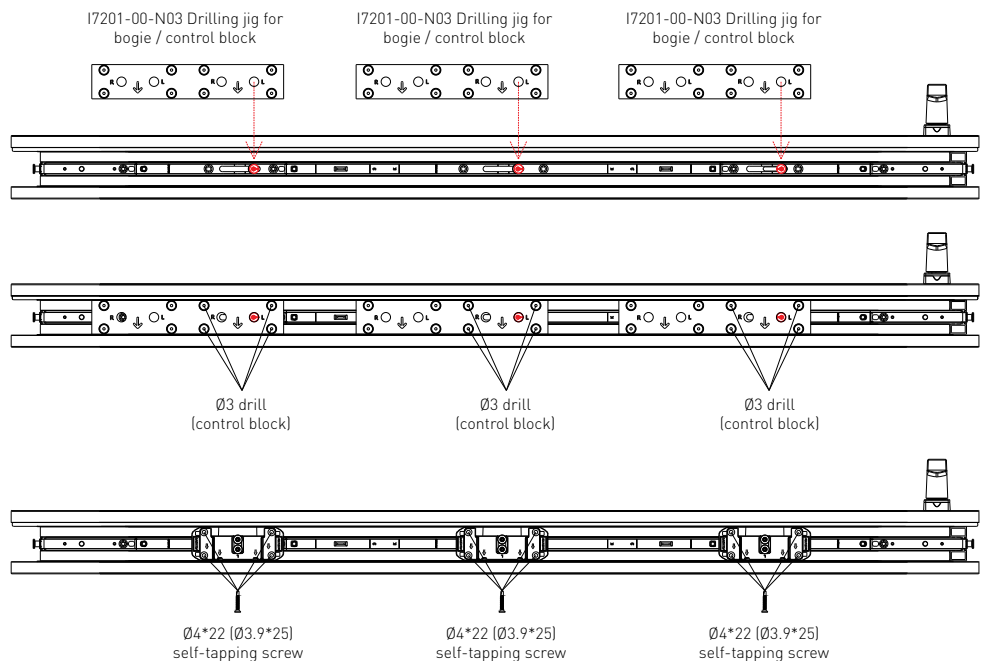
**Installation of the control block using a drilling jig.
Left opening. Top.**

1. Rotate a handle in open position (180°).
2. Install drilling jig on the locking pin of extension lock. Pay attention: Drilling jig has to be used accordingly (see marking L).
3. Drill hole Ø3 for control block.
4. Fix with screws Ø4*22 (alternatively Ø3,9*25).



Additional control block from SRW > 1110

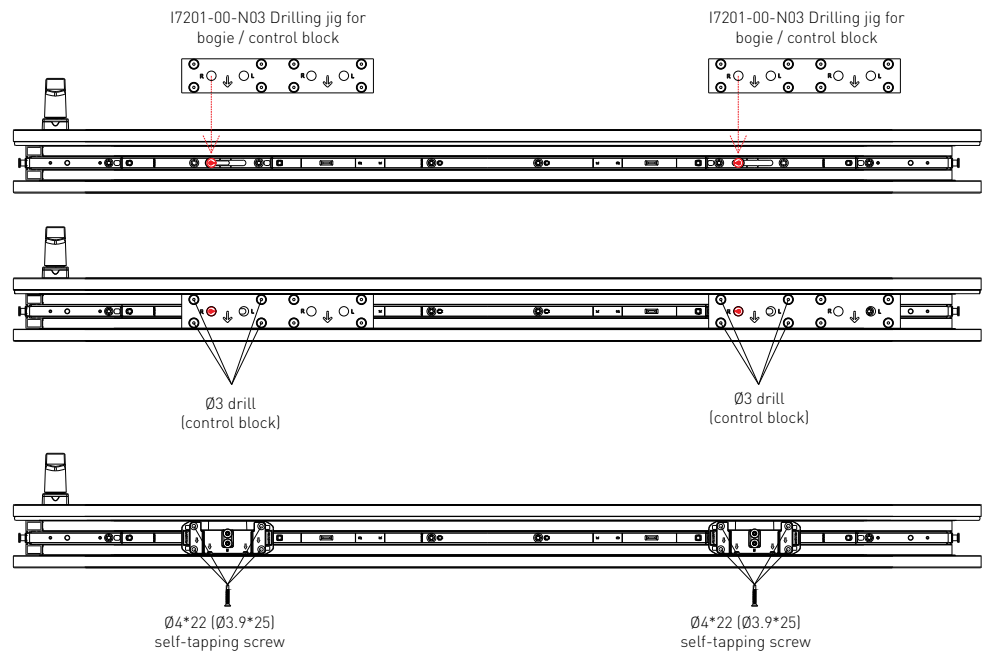
1. Rotate a handle in open position (180°).
2. Install drilling jig on the locking pin of extension lock. Pay attention: Drilling jig has to be used accordingly (see marking L).
3. Drill hole Ø3 for control block.
4. Fix with screws Ø4*22 (alternatively Ø3,9*25).





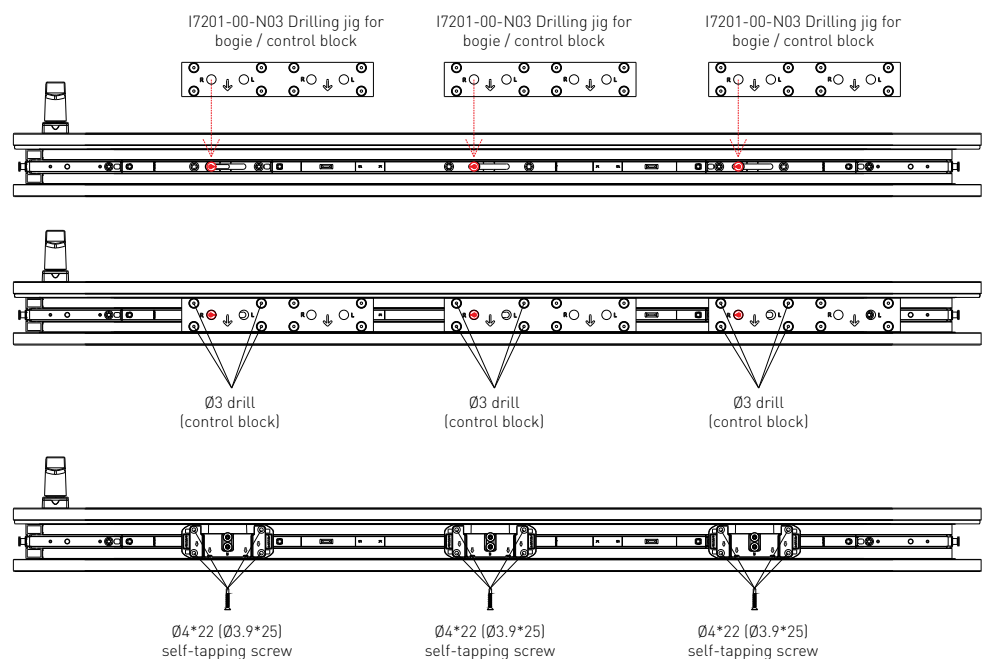
Installation of the control block using a drilling jig. Right opening. Top.

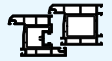
1. Rotate a handle in open position (180°).
2. Install drilling jig on the locking pin of extension lock. Pay attention: Drilling jig has to be used accordingly (see marking R).
3. Drill hole $\varnothing 3$ for control block.
4. Fix with screws $\varnothing 4 \times 22$ (alternatively $\varnothing 3,9 \times 25$).



Additional control block from SRW > 1110

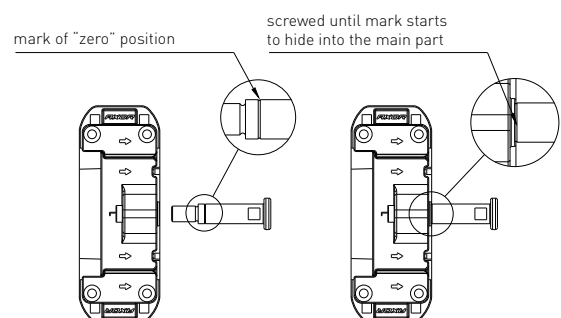
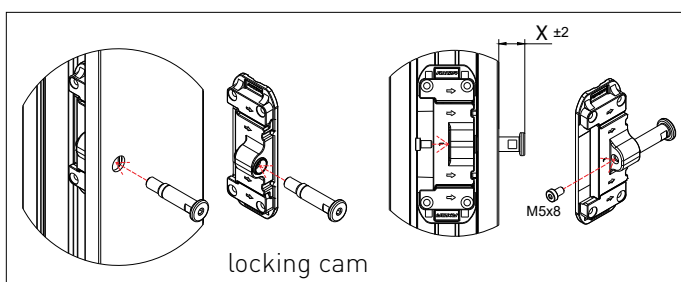
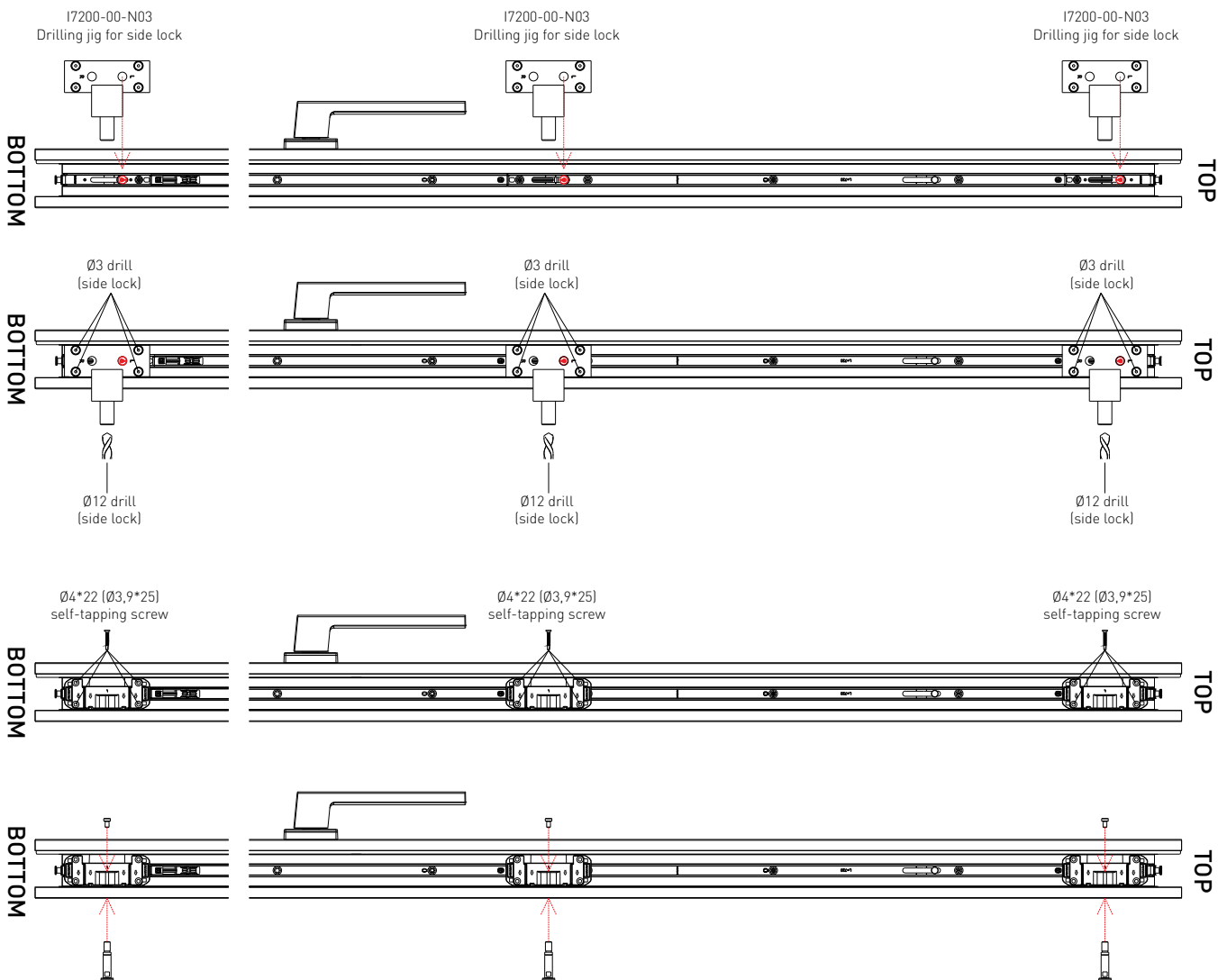
1. Rotate a handle in open position (180°).
2. Install drilling jig on the locking pin of extension lock. Pay attention: Drilling jig has to be used accordingly (see marking R).
3. Drill hole $\varnothing 3$ for control block.
4. Fix with screws $\varnothing 4 \times 22$ (alternatively $\varnothing 3,9 \times 25$).





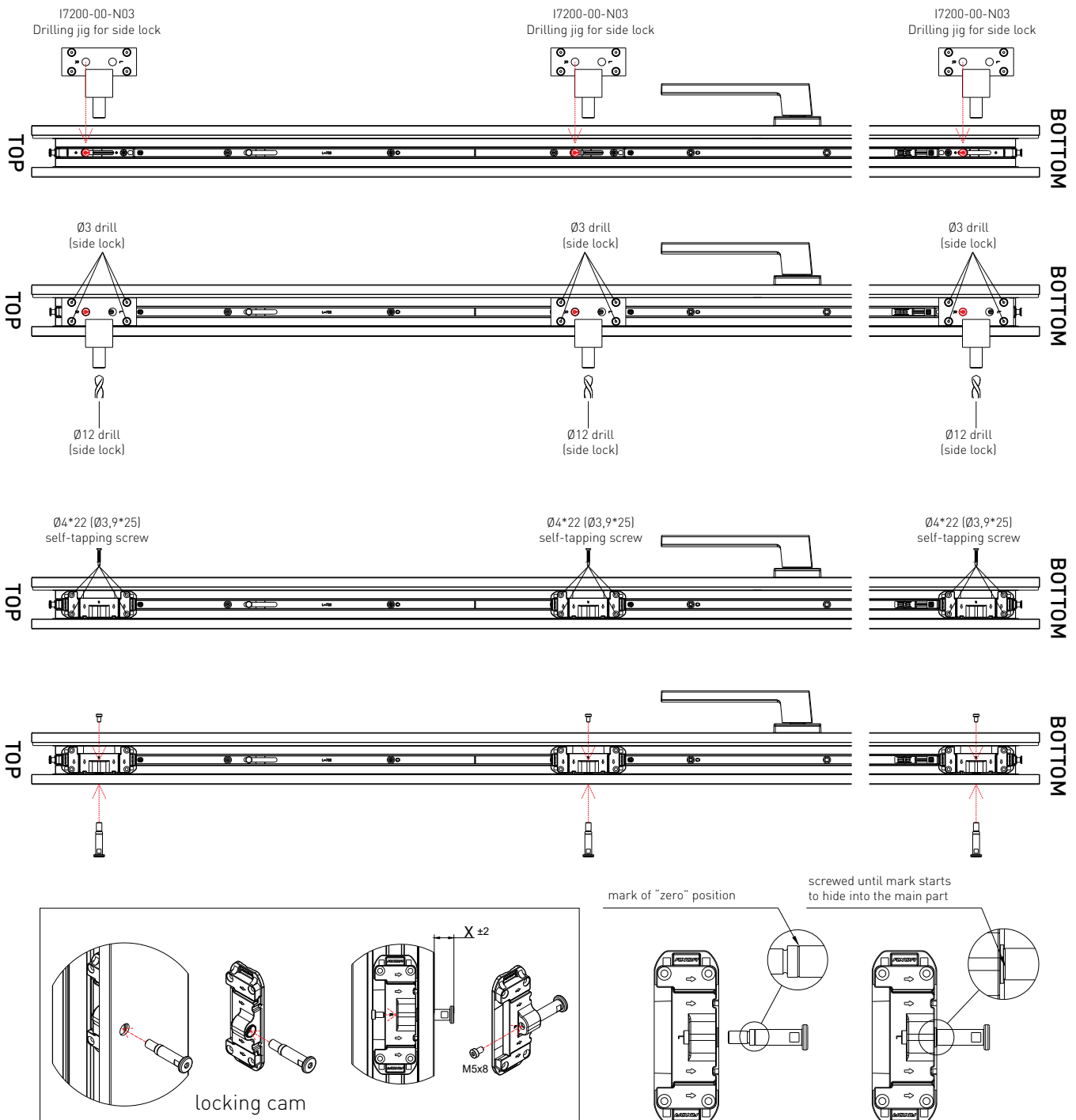
Installation of side lock using a drilling jig (left opening).

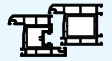
1. Rotate a handle in open position (180°).
2. Install drilling jig on the locking pin of corner transmission, extension lock. Pay attention: drilling jig has to be used accordingly (see marking L).
3. Drill hole $\varnothing 3$ for side lock.
4. Drill hole $\varnothing 12$ for locking cam.
5. Fix with screws $\varnothing 4 \times 22$ (alternatively $\varnothing 3,9 \times 25$).
6. Install locking cam.
7. Fix with screw M5x8.



Installation of side lock using a drilling jig (right opening).

1. Rotate a handle in open position (180°).
2. Install drilling jig on the locking pin of corner transmission, extension lock. Pay attention: drilling jig has to be used accordingly (see marking R).
3. Drill hole $\varnothing 3$ for side lock.
4. Drill hole $\varnothing 12$ for locking cam.
5. Fix with screws $\varnothing 4 \times 22$ (alternatively $\varnothing 3,9 \times 25$).
6. Install locking cam.
7. Fix with screw M5x8.

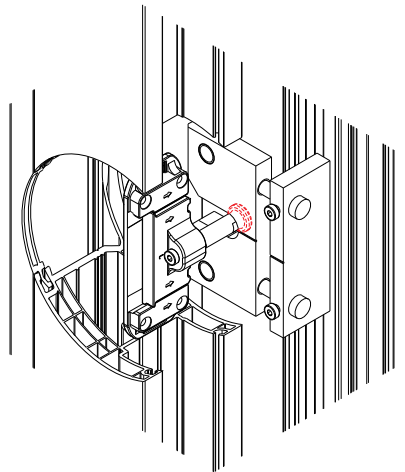




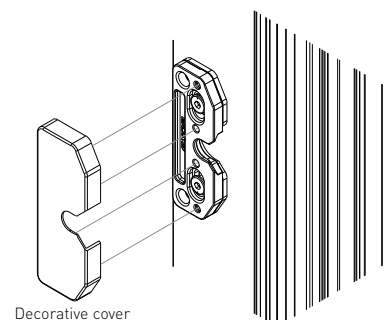
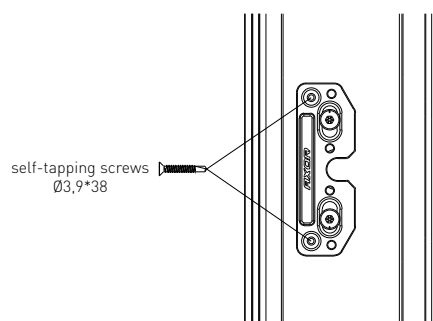
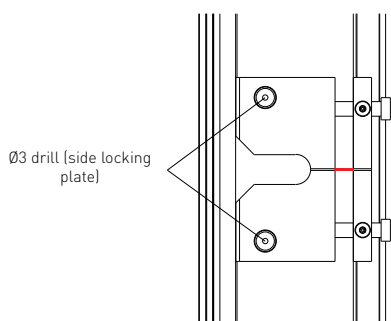
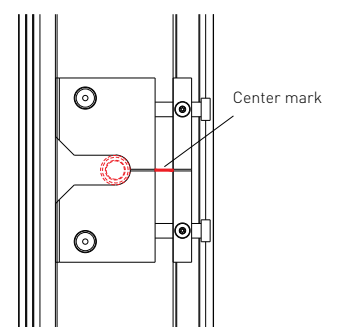
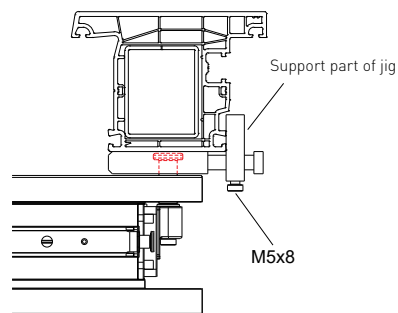
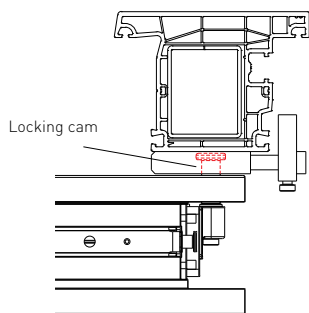
Installation of side locking plate using a drilling jig.

1. Close a sash complitly, rotate a handle in close position (0°).
2. Put a jig on the locking cam of side lock complitly to the end.
3. Move the support part of jig until it contact with mullion.
4. Tight with screws M5x8.
5. Mark the centre of jig.
6. Open and take off a sash.
7. Put a jig again on the mullion in according with mark.
8. Drill holes Ø3 for side locking plate.
9. Fix with screws Ø3,9*38.
10. Install decorative cover.

Install the side locking plate after installing the front dampers.

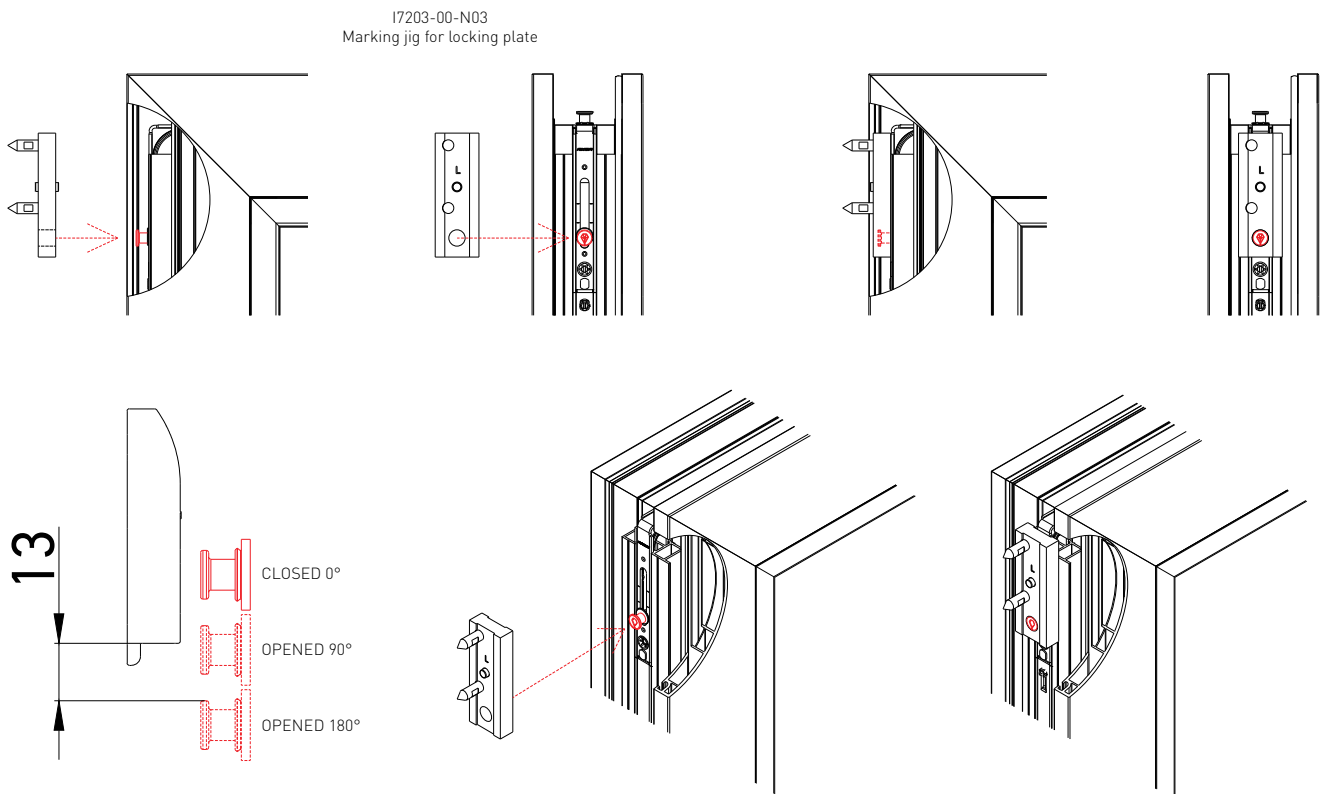


17202-00-N03
Drilling jig for side locking plate



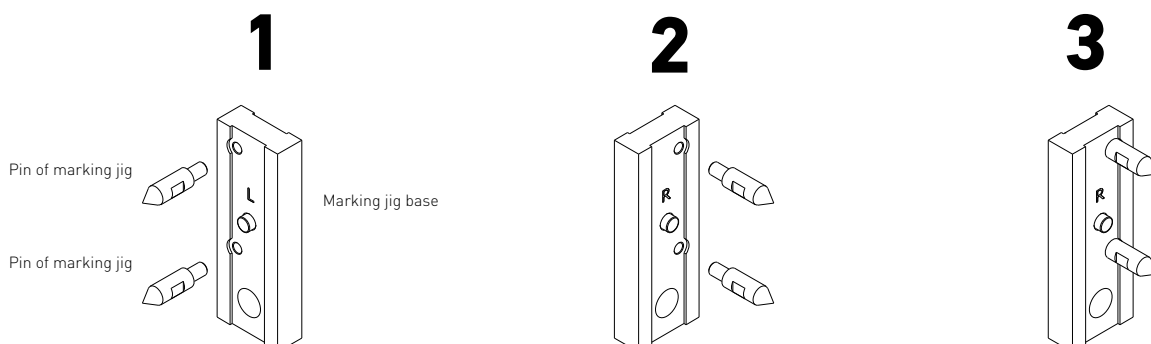
Installation of locking plates using a drilling jig. Left opening.

1. Rotate a handle in open position (180°).
2. Install marking jig on the locking pin of corner transmission, gear. Pay attention: marking jig has to be used accordingly (see marking L).
3. Close the sash with small effort (hit). In result on frame adapter will be markings from pins of jig.
4. Drill hole Ø3 for locking plate according to marking.
5. Fix with screws Ø4*22 (alternatively Ø3,9*25).

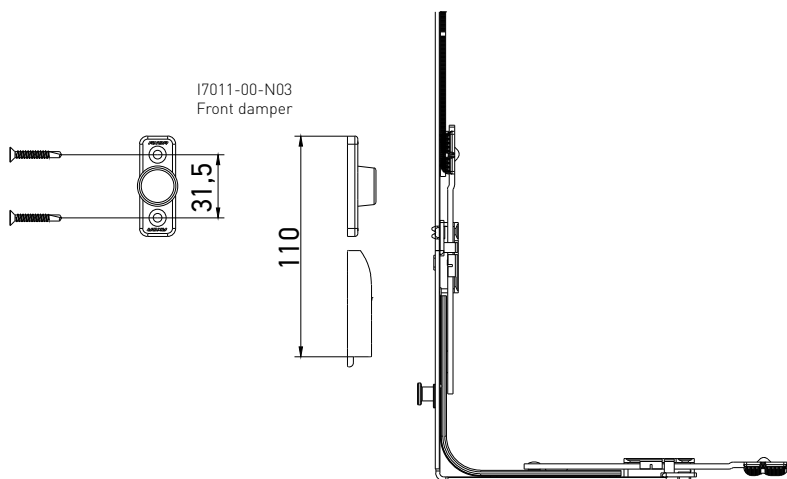
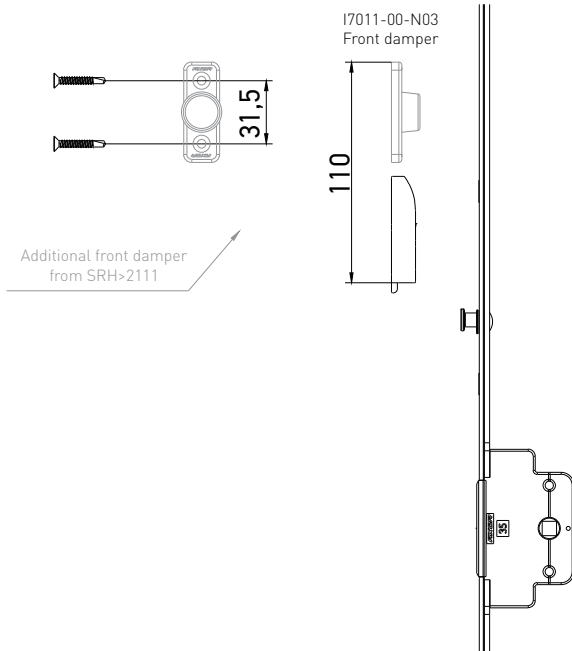
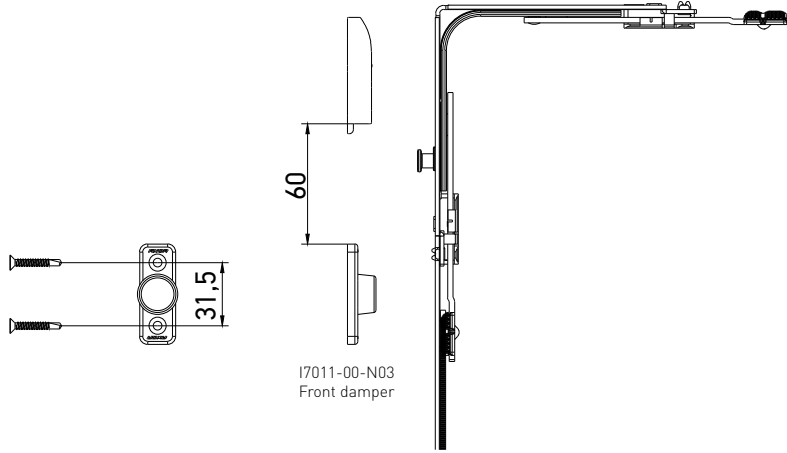


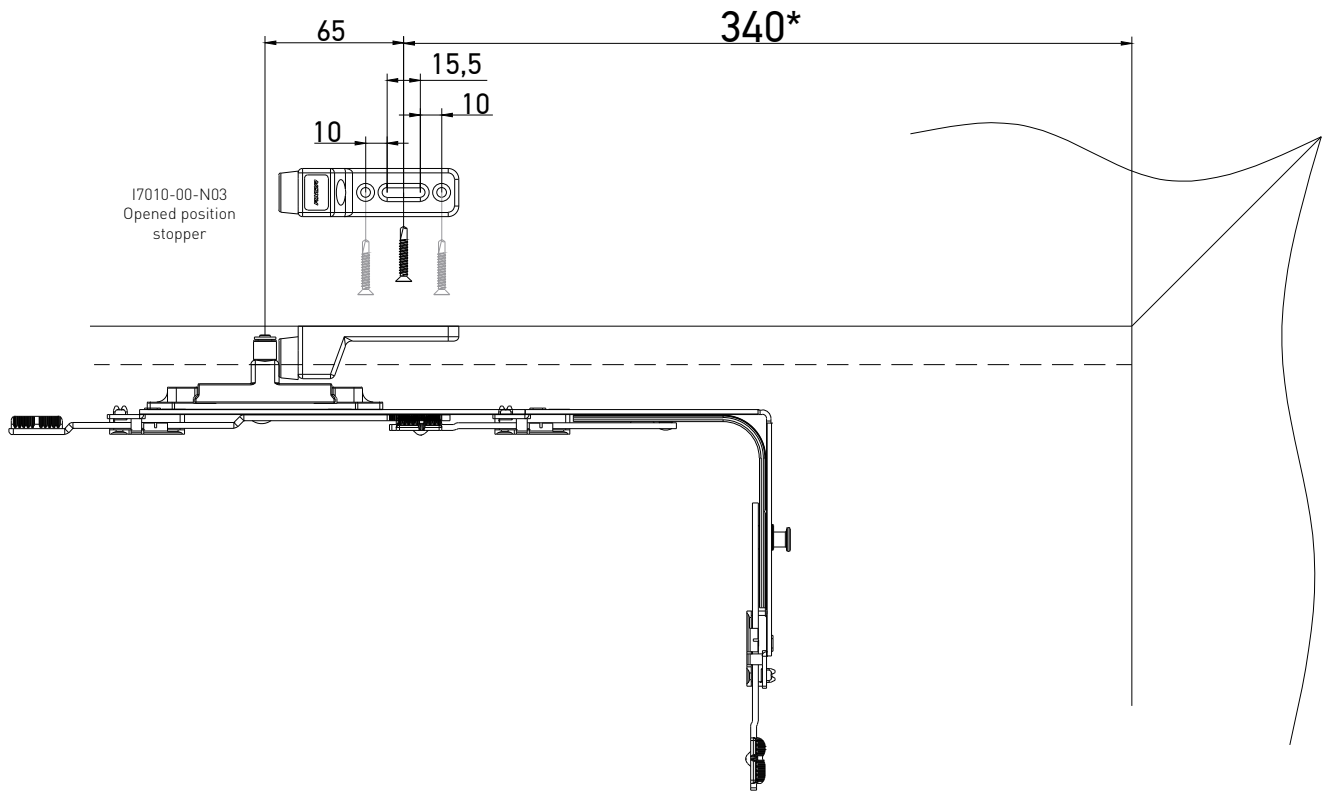
Installation of locking plates using a drilling jig. Right opening.

1. For right opening has to be unscrewed pins of marking jig.
2. Rotate marking jig.
3. Screw again on the right side of jig base (see marking R).
4. Repeat the steps as for left opening.



Front damper installation.



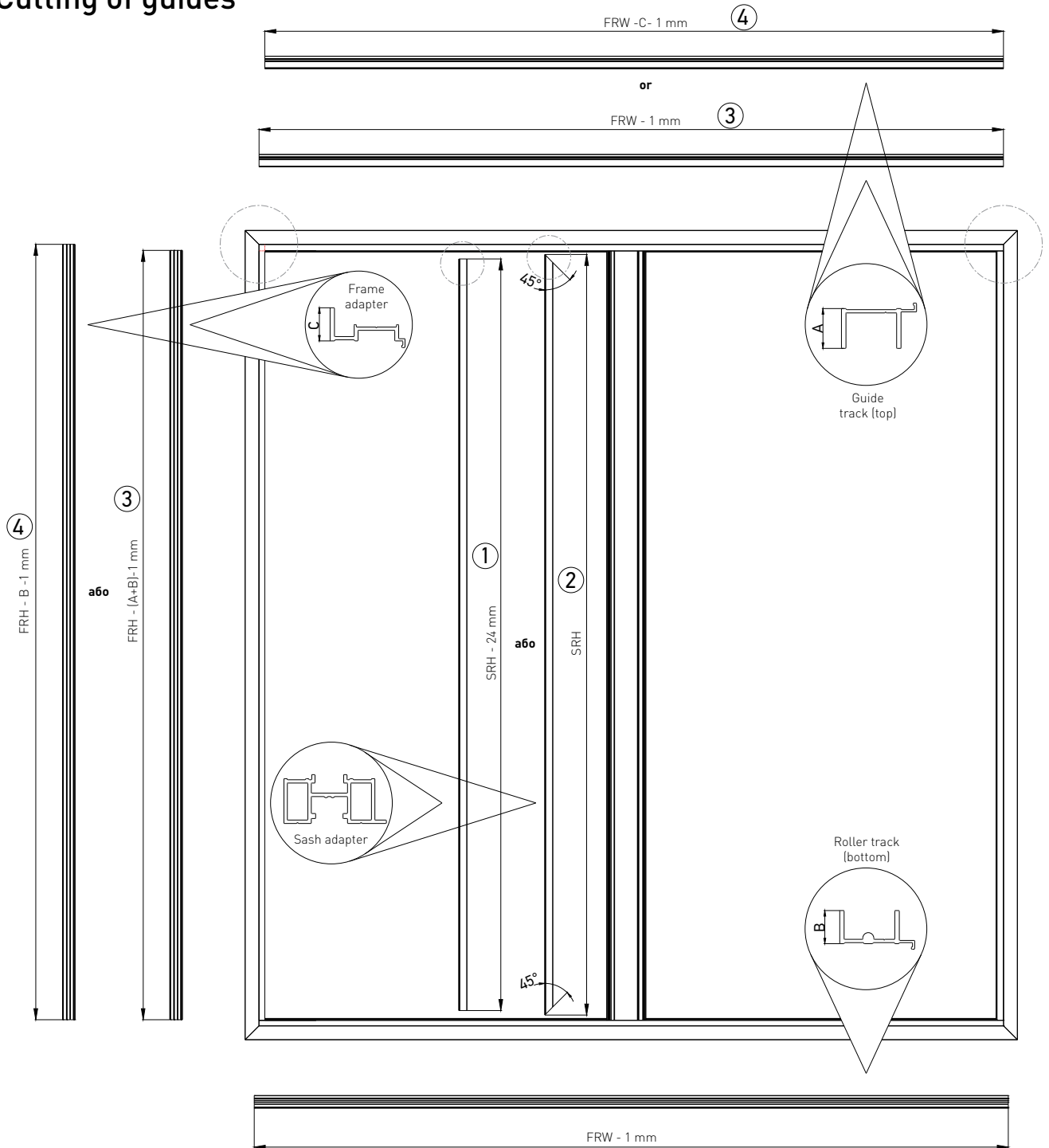
**Opened position stopper installation.**

*Dimension 340 mm for reference. Should be set individually.

1. Previously fix with central screw.
2. If needed - adjust position and fix finally with 3 screw.



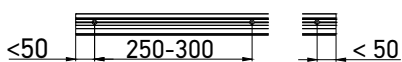
Cutting of guides



Drilling holes for guides:

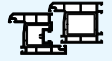
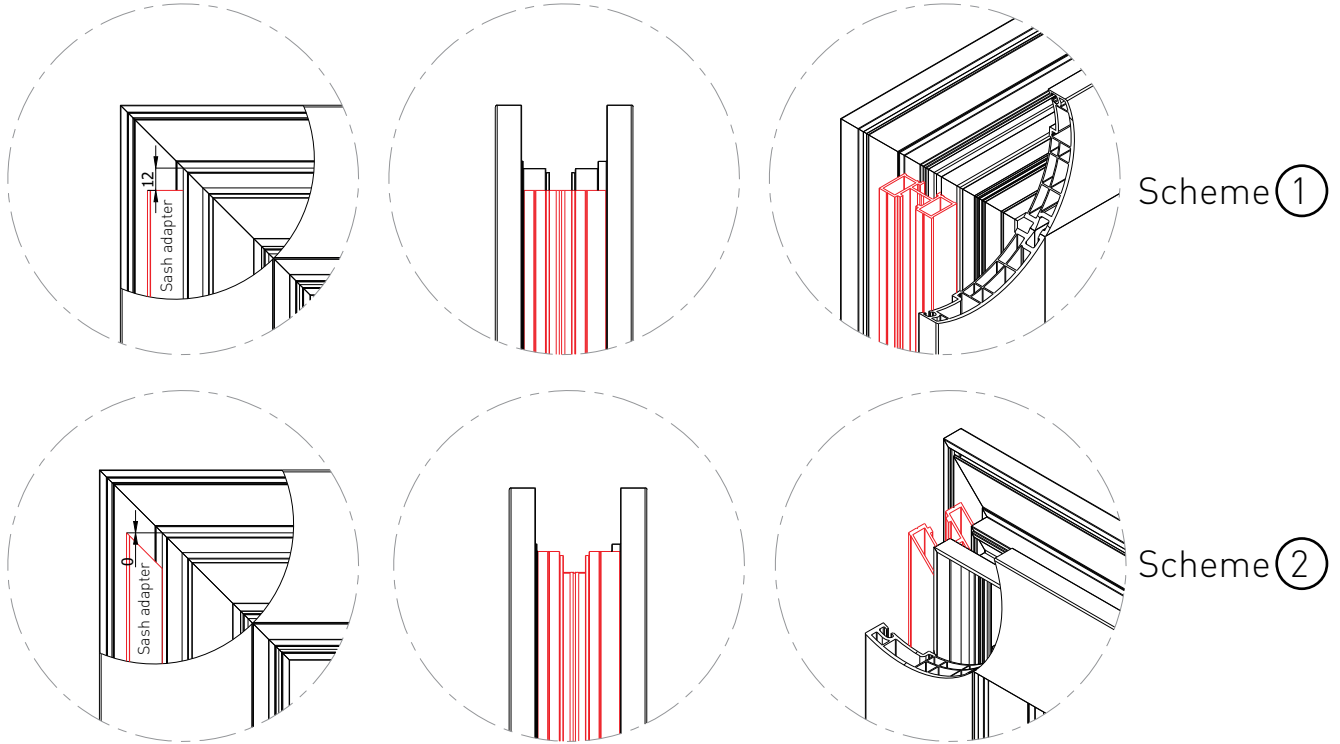
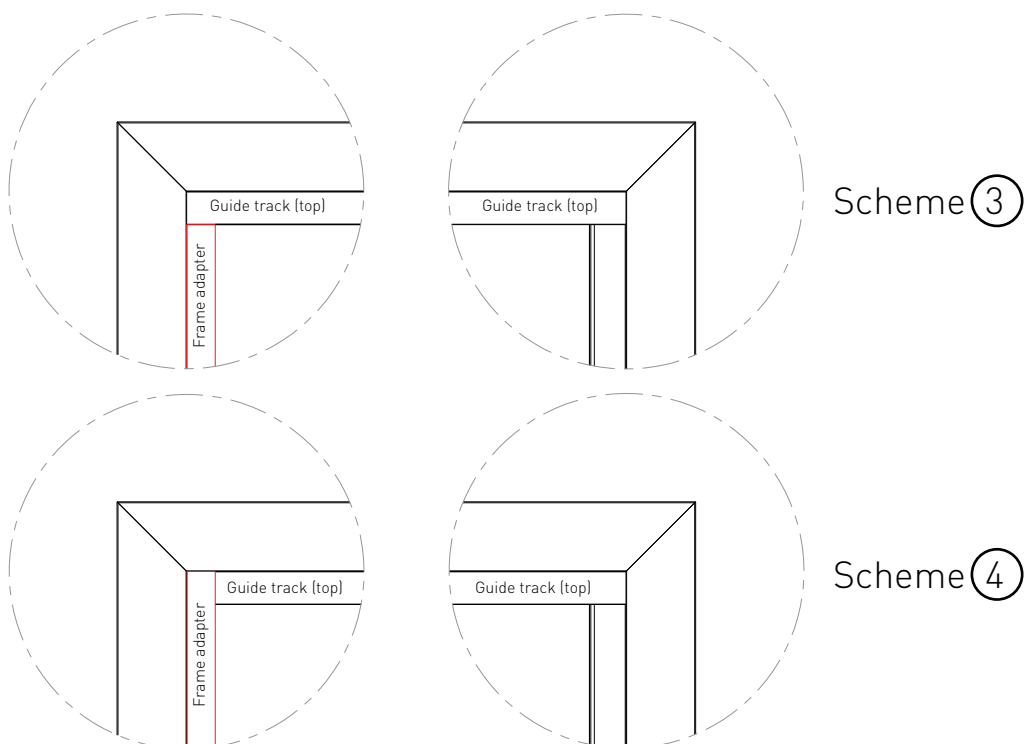
Guide track (top)

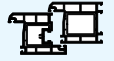
Roller track (bottom)

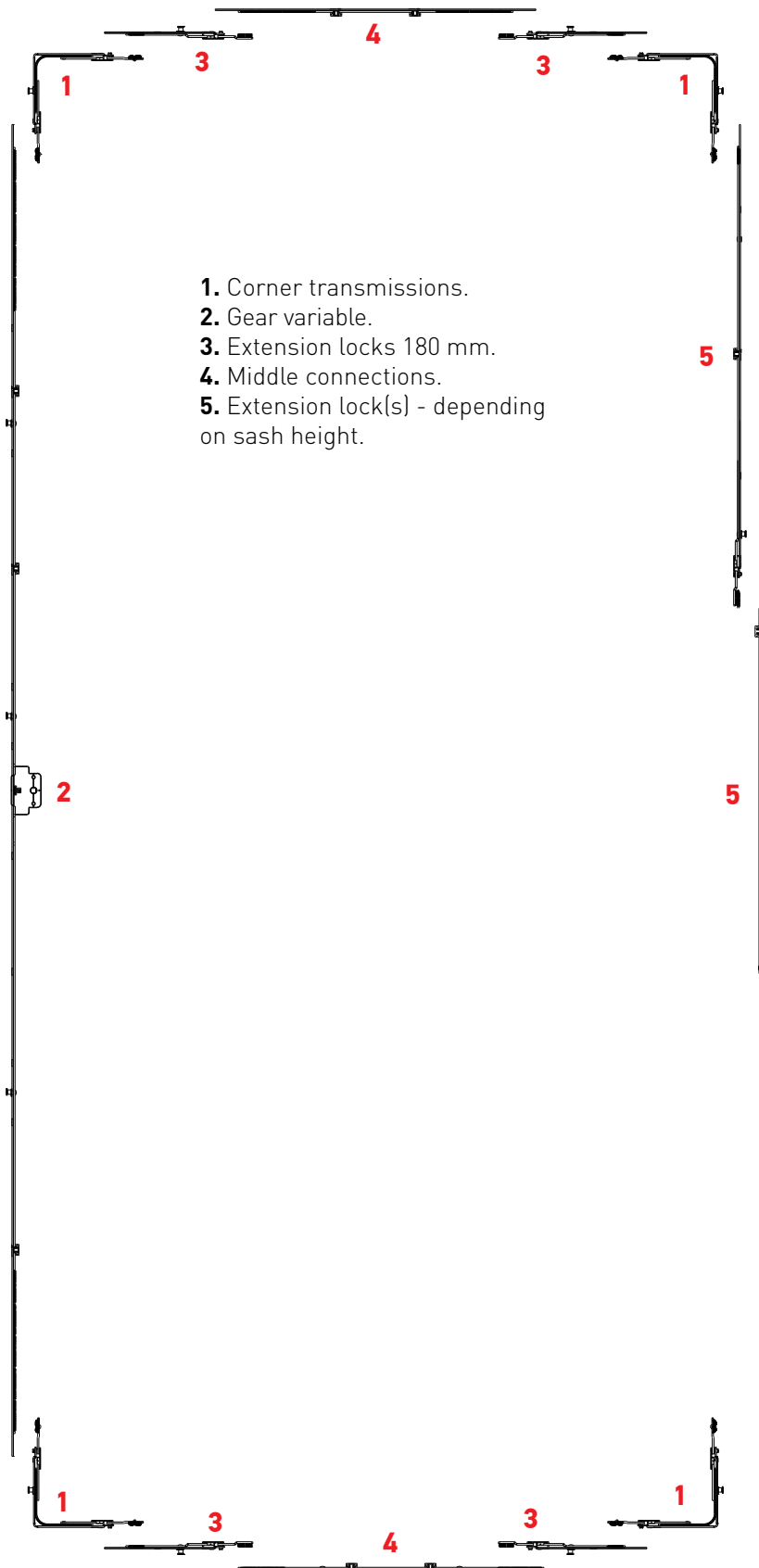


1. Fixing holes $\varnothing 4.5$ mm; chamfers min. $\varnothing 7.5$
2. The distance between holes must be 250-300 mm
3. The distance from the end of guide to first hole max. 50 mm (both sides)

- ① For straight cut, central installation: gap 12 mm from the top and 12 mm from the bottom.
- ② For angular cut, central installation: no gap from the top and from the bottom (face part).
- ③ Inner installation of frame adapter (between top and bottom tracks).
- ④ Combined installation of frame adapter (between top and bottom tracks).

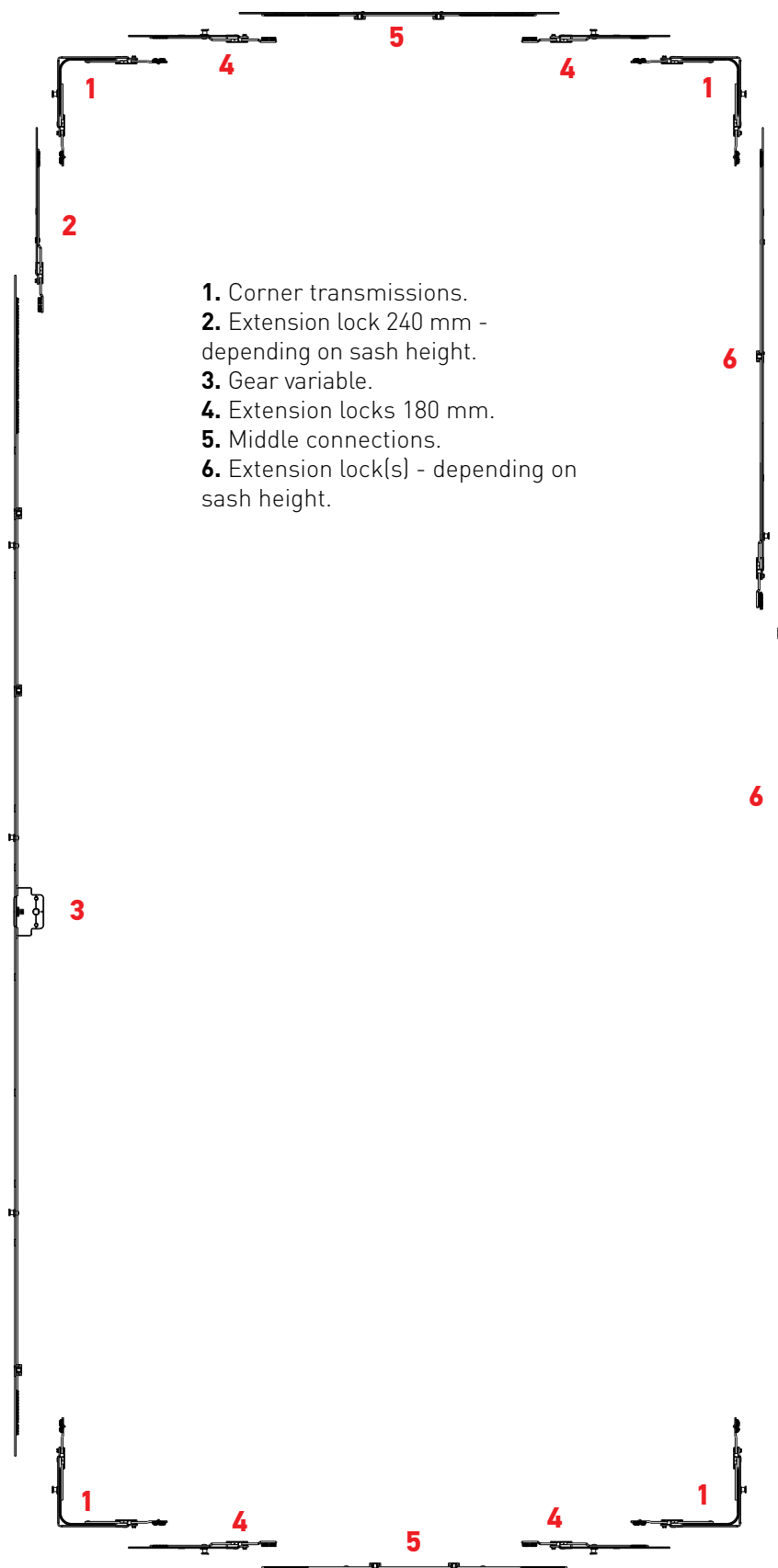
**Sash adapter****Frame adapter**

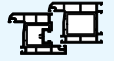


Hardware installation (position of the handle in the center)
Main hardware set.

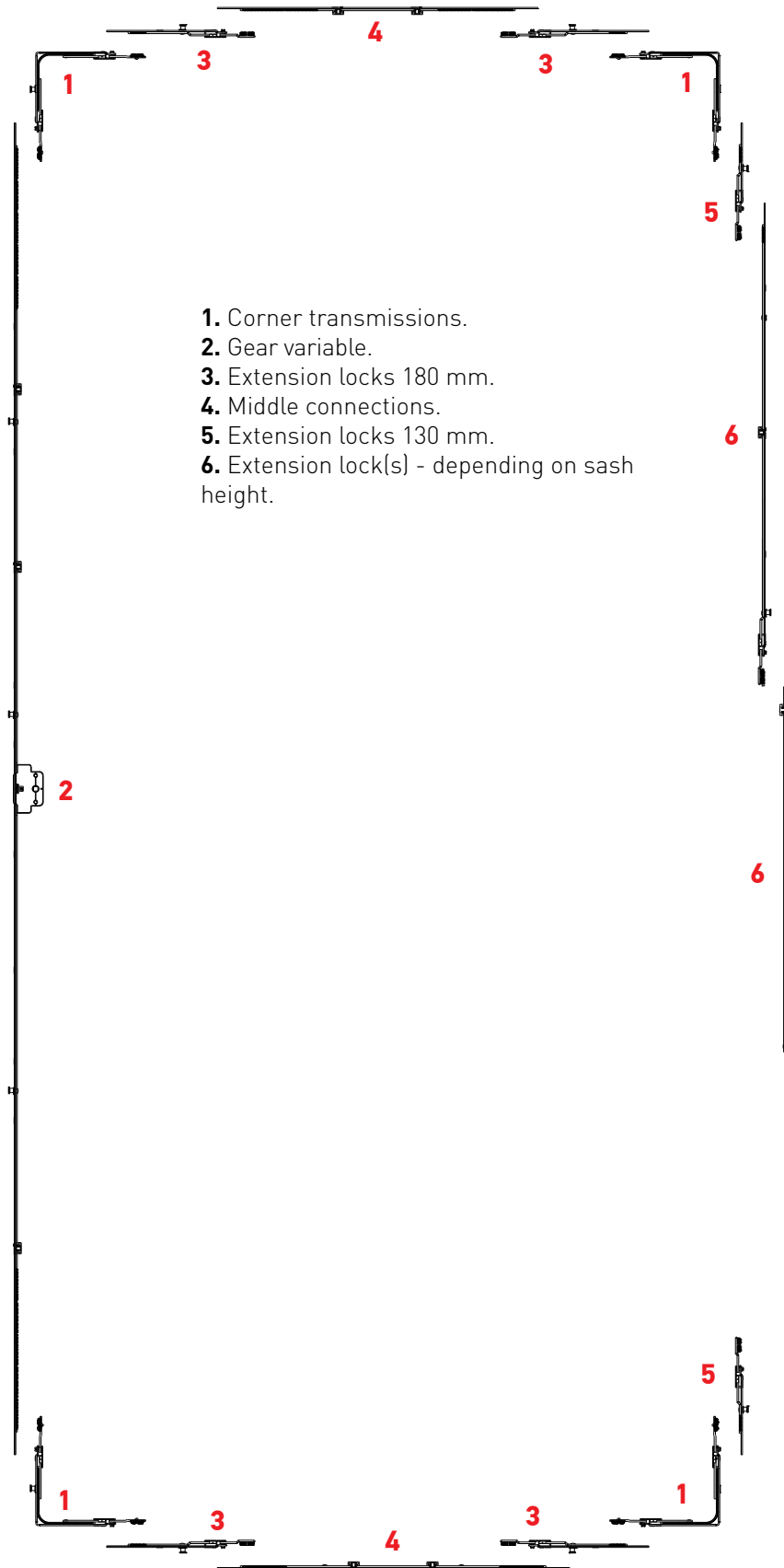
SMART GT

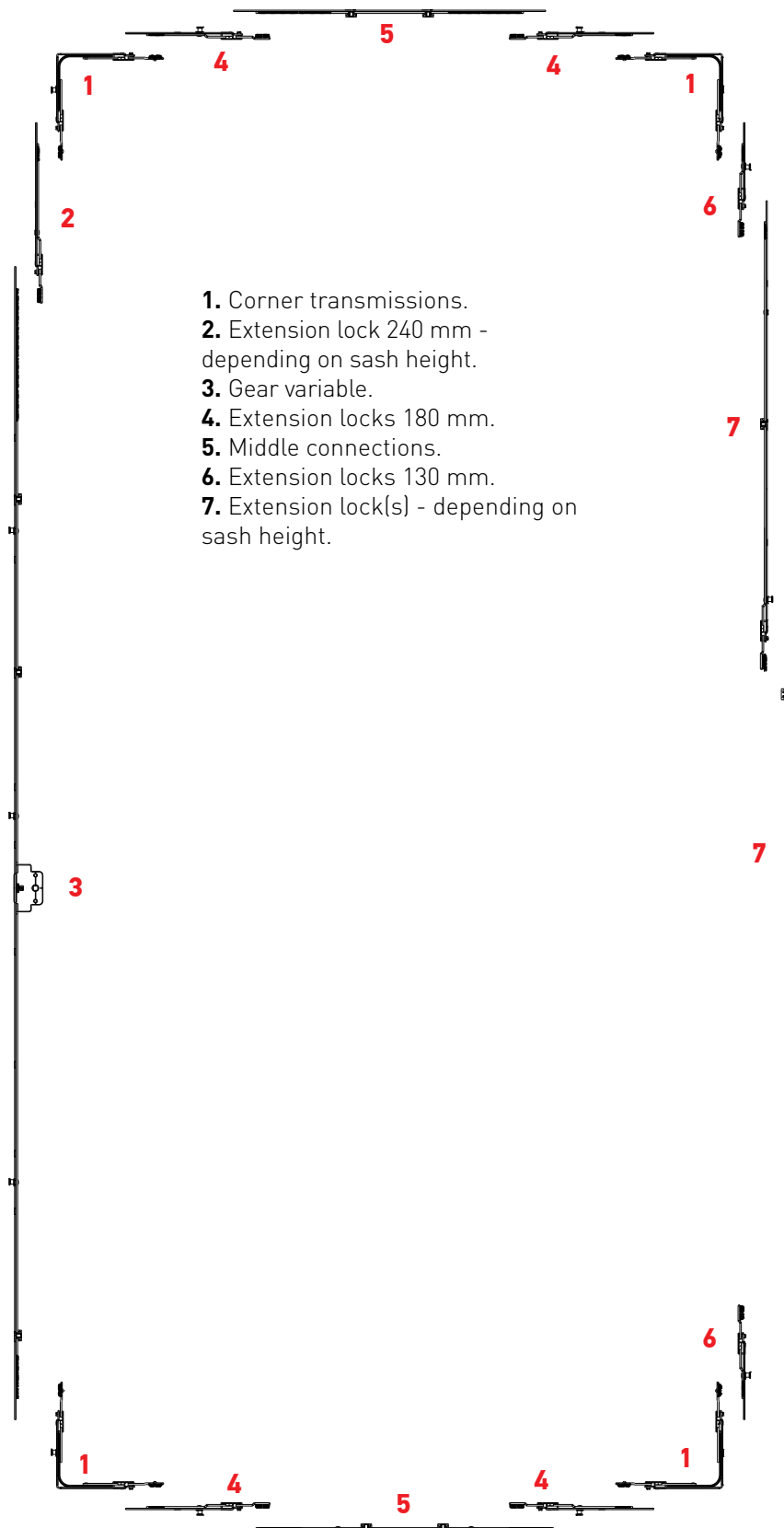
**Hardware installation (handle position G=1000)
Main hardware set.**

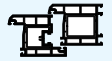




**Hardware installation (position of the handle in the center)
Additional hardware set.**



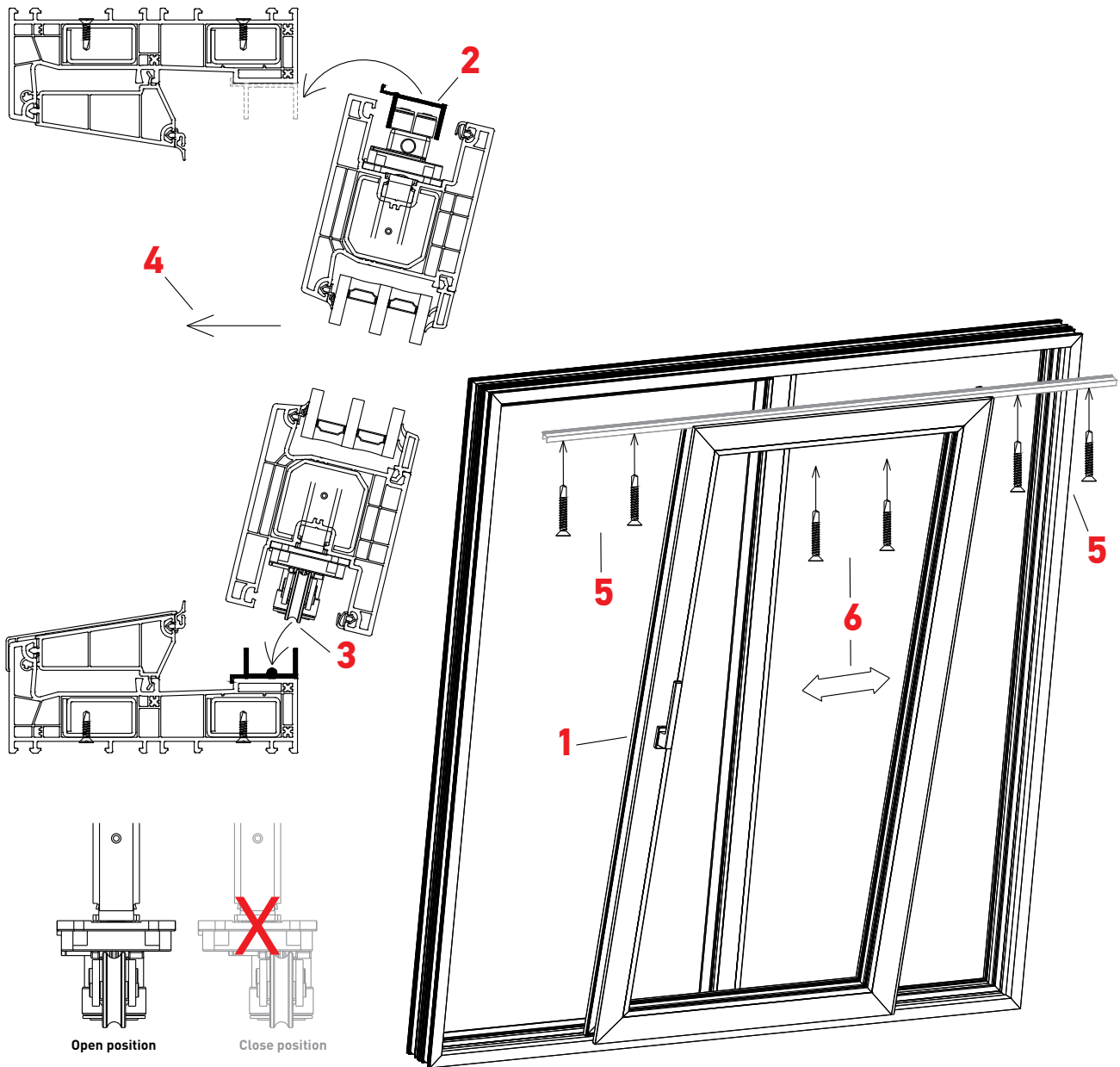
SMART GT**Hardware installation (handle position G=1000)
Additional hardware set.**



Sash installation

1. Rotate a handle in open position (180°).
2. Put a guide track (top) on control blocks at the top.
3. Install bogies and control blocks with a sash on roller track at the bottom.
4. Install a sash in vertical position. Make sure that the bogies are on the roller track.
5. Fix extrime parts of guide track with screws $\text{Ø}4*22$ (alternatively $\text{Ø}3.9*25$) from both sides.
6. Slide carefully sash to the end and fix guide track completely with screws $\text{Ø}4*22$ (alternatively $\text{Ø}3.9*25$).

Pay attention: it is necessary minimum two people for sash installation!
Otherwise, working staff may be injured or the structure may be damaged!

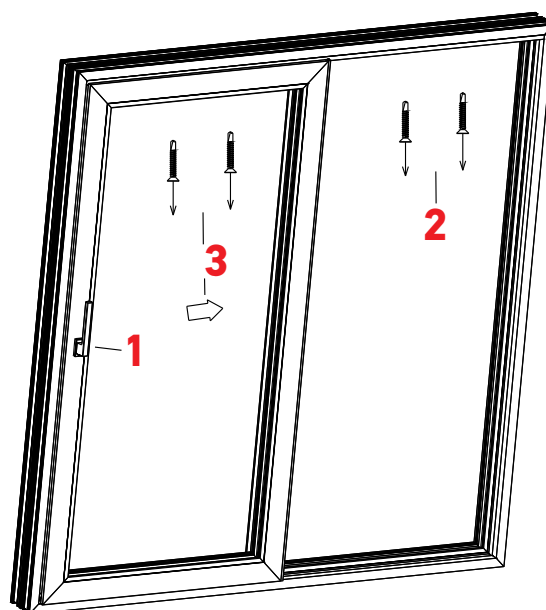
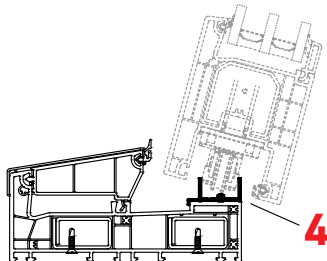
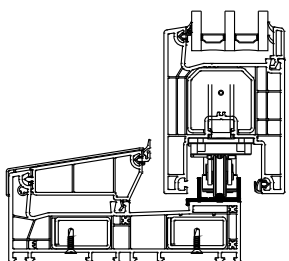
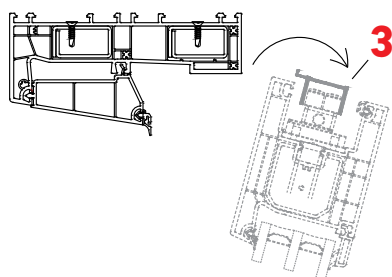
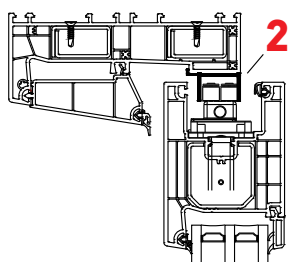


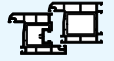
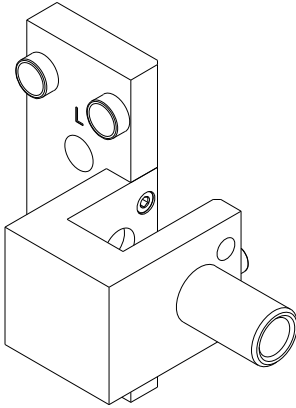
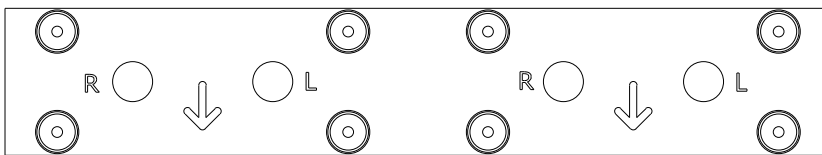
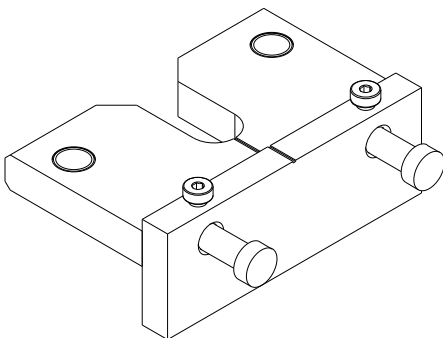
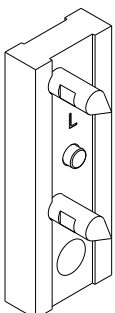


Sash uninstillation

1. Rotate a handle in open position (180°).
2. Unscrew guide track from one side.
3. Slide carefully sash to the end of other side and unscrew guide track completely..
4. Tilt sash and remove guide track.
5. Uninstall sash from roller track.

**Pay attention: it is necessary minimum two people for sash installation!
Otherwise, working staff may be injured or the structure may be damaged!**



**I7200-00-N03 Drilling jig for side lock****I7201-00-N03 Drilling jig for bogie/control block****I7202-00-N03 Drilling jig for side locking plate****I7203-00-N03 Marking jig for locking plate**

Punching machines



PS100-3-S5-GL20

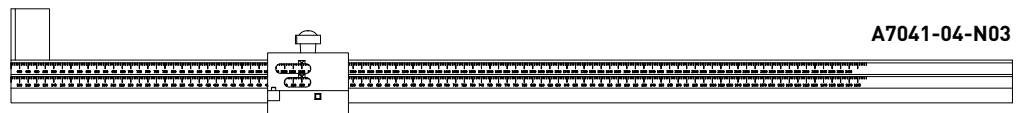
- Integrated blow out function
- Eccentric cut
- Hydropneumatic drive 0,6 MPa (6 bar)15 kN
- Working pressure, min.....6 bar
- Working pressure, max..... 1 MPa (10 bar)
- Foot switch
- Designed for small up to medium size production



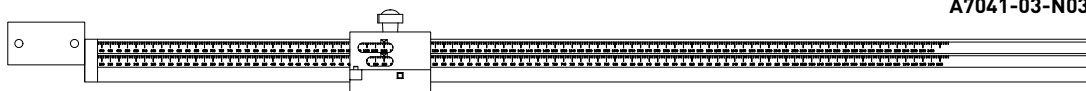
BSD-S5-SHGL20

- Hydropneumatic drive
- Eccentric cut
- Working pressure..... 6-10 bar
- Operating pressure6 bar
- Matrix28 kN
- Push rod18 kN
- Maximum pressure 10 bar
- Foot switch

The rulers

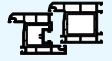


A7041-04-N03

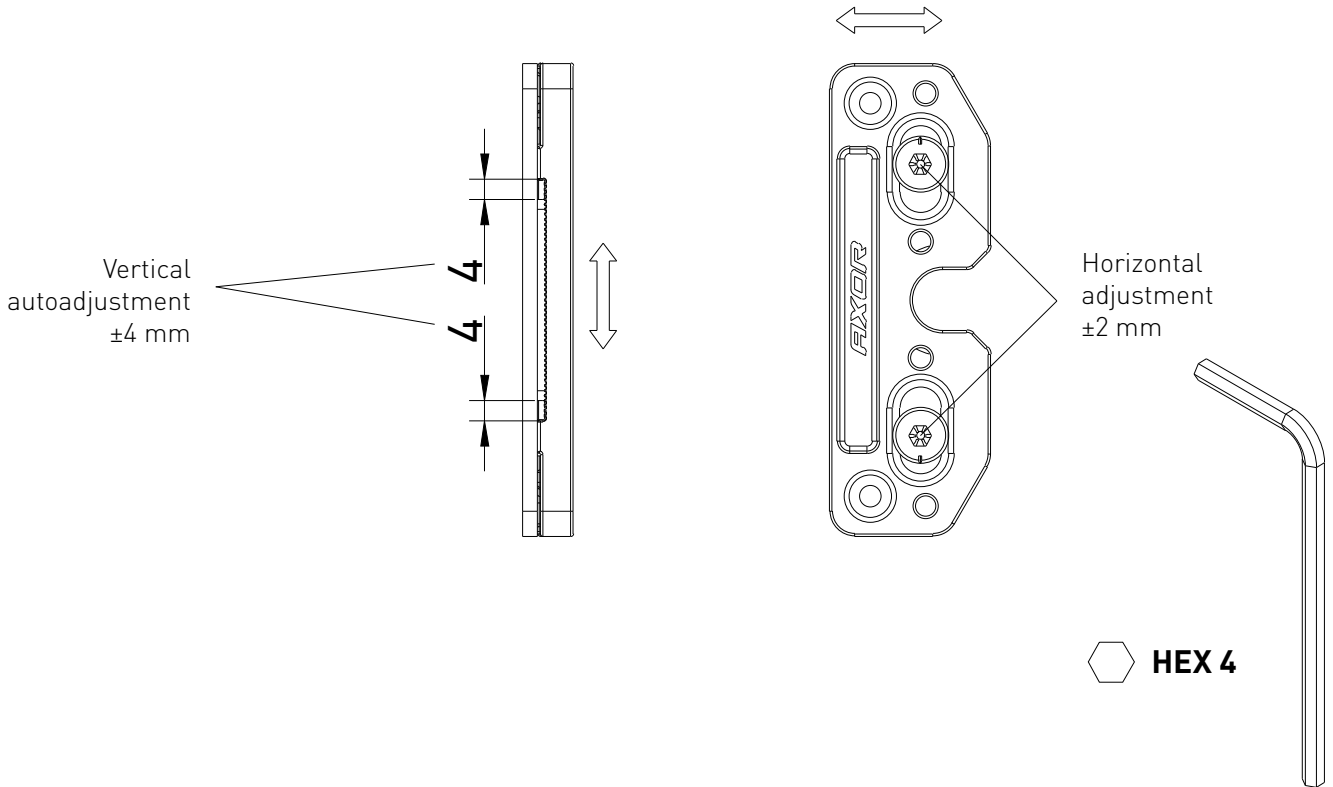


A7041-03-N03

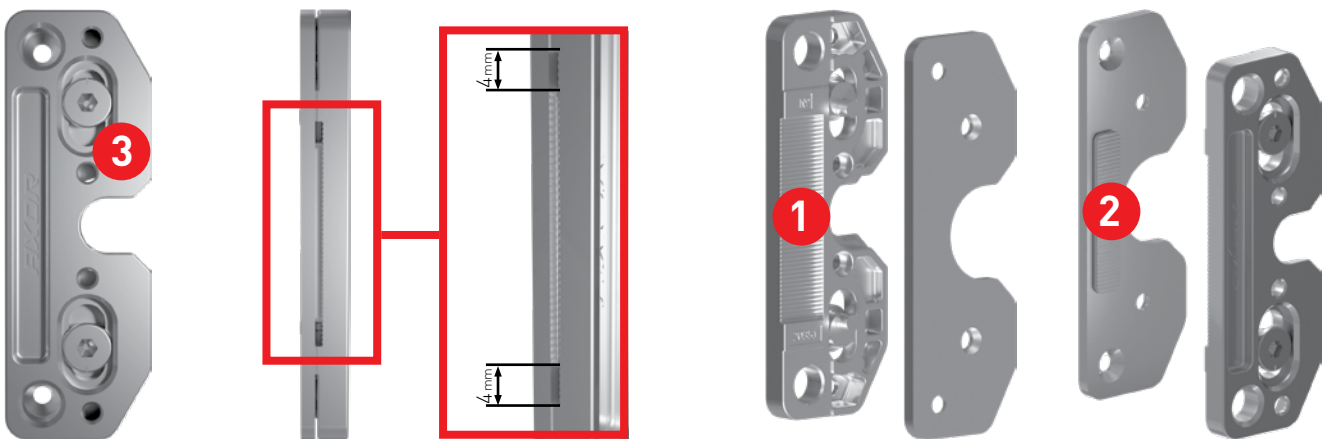
Description	Part No.
Punching machine BSD-"S5-SHGL20, left with foot control	BSD-S5-SHGL20
Punching machine BS-Multi-MAX PS100 with foot control	PS100-3-S5-GL20
The ruler BSD-S5-SHGL20	A7041-03-N03
The ruler PS100-3-S5-GL20	A7041-04-N03



Side locking plate adjustment

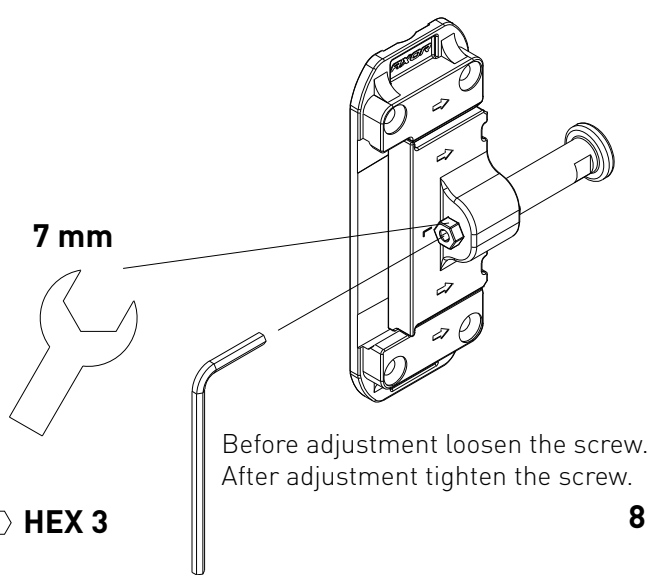
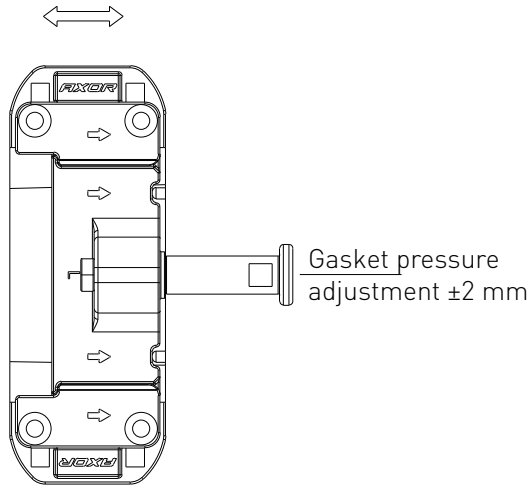


Automatic adjustment

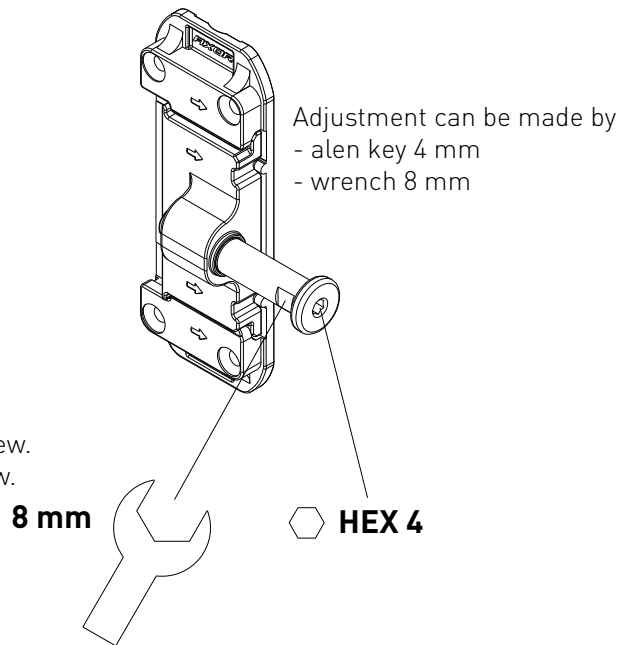


The principle of action: The body of side lock **3** moves vertically along the ribbed surface **2**, as a result of which the element **3** “adjusts” in height to the position of the locking cam on the side lock. Ribbed surface **1** prevents free vertical movement.

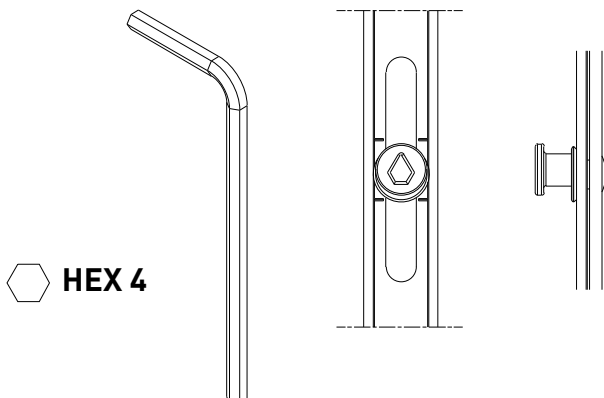
Side lock adjustment


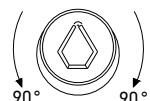


Adjustment can be made by
 - alen key 3 mm
 - wrench 7 mm




Locking pin adjustment (gasket pressure)



Locking pin	MR	Rotation direction	Adjustment limits
			
			± 1



AXOR INDUSTRY

 32, Pratsi Avenue,
Dnipro, 49041, Ukraine

 shop@axorindustry.com